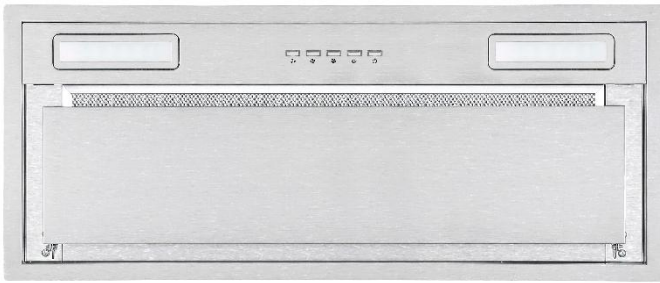


AVPP346S  
**34" PERIMETRIC  
POWER PACK HOOD**

**AVIVA**



## CONTROLS AND FUNCTIONS

<b>Controls</b>	Electronic push buttons
<b>Lighting</b>	2 x 1.5W rectangular LED bulbs - 2 levels, warm white
<b>Power and speed</b>	600 CFM, 3-speed
<b>Filter type</b>	1 aluminum mesh filter with outer stainless steel peripheral plate
<b>Duct transition</b>	6" round top

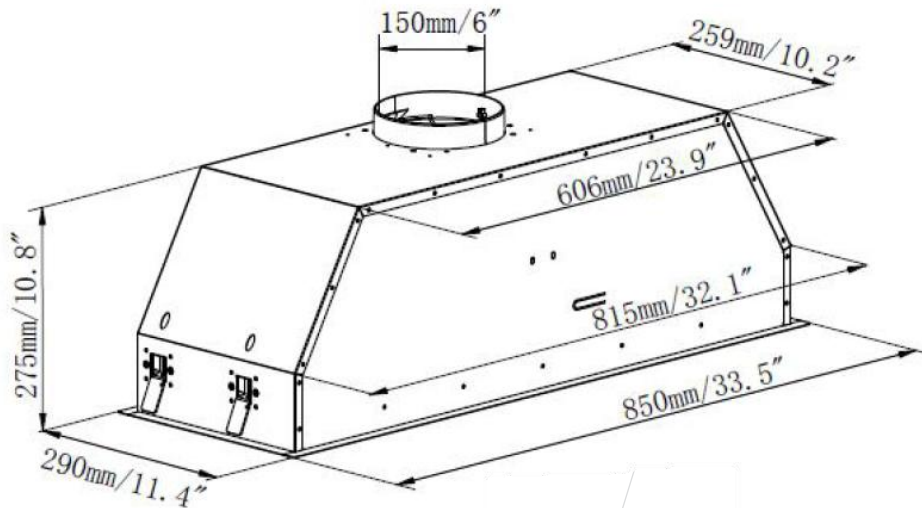
## SPECIFICATIONS AND DIMENSIONS

<b>Dimensions</b>	33 1/2" (W) x 11 7/16" (D) x 10 7/8" (H)
<b>Flush fit installation</b>	Yes
<b>Stainless steel grade</b>	430
<b>Electrical requirements</b>	120V / 60Hz / 3.7A 3-prong plug included
<b>Warranty</b>	2-years parts and labor
<b>UPC Code</b>	628173081574

# AVPP346S 34" PERIMETRIC POWER PACK HOOD

# AVIVA

## DIMENSIONS



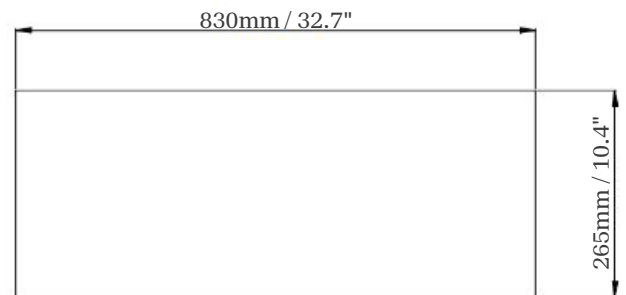
## INSTALLATION



65-76cm /  
25.6"-30"

NOTE: The hood should be installed at a distance of 65cm (25.6") minimum to 76cm (30") maximum from the cooking surface.

## CABINET CUT-OUT



NOTE: Drill a hole in the cabinet measuring 830 x 265mm (32.7" x 10.4"). Make sure the distance between the edge of the hole and the front and rear edges of the cabinet is at least 35mm (1.4") to center the hood in the cabinet. The thickness of the cabinet should be limited to 15-25mm (0.6"-0.98") for best results.