

Use and installation guide

Guide d'installation et d'utilisation

24"/ 30" Slide-out

Hotte extensible 24 / 30 pouces

Please read and follow all safety rules and operating instructions before using this product.
Keep this guide for future reference.

*Veillez lire attentivement les consignes de sécurité et les instructions de fonctionnement
avant l'utilisation de ce produit. Conserver ce guide pour référence ultérieure.*

Table of contents

3.....	Safety instructions
7.....	Installation
10.....	Using your hood
11.....	Troubleshooting
11.....	Maintenance and cleaning
14.....	Environment protection
15.....	Service & Warranty

SAFETY INSTRUCTIONS

This manual explains the proper installation and use of your hood, please read it carefully before using even if you are familiar with the product. The manual should be kept in a safe place for future reference.

Never :

- Do not try to use the hood without the grease filters or if the filters are excessively greasy!
- Do not install above a with a high level grill.
- Do not leave frying pans unattended during use because overheated fats or oils might catch fire.
- Never leave naked flames under the hood.



- If the hood is damaged, do not attempt to use.
- Do not flambé under the hood.
- CAUTION: Accessible parts may become hot when used with cooking appliances.
- The minimum distance between the surface of the cooking vessels and the lowest part of the hood is 24"/61 cm. (When the hood is located above a gas appliance, this distance should be at least 26"/66 cm)
- The air must not be discharged into a flue that is used for exhausting fumes from gas or other fuel appliances.



Always :

- Important! Always switch off the electricity supply at the mains during installation and maintenance such as light bulb replacement.
- The hood must be installed in accordance with the installation instructions and all measurements followed.
- All installation work must be carried out by a competent person or qualified electrician.
- Please dispose of the packing material carefully. Children are vulnerable to it.
- Pay attention to the sharp edges inside the hood especially during installation and cleaning.
- Make sure the ducting has no elbows sharper than 90 degrees as this will reduce the efficiency of the hood.
- Warning: Failure to install the screws and supports in accordance with these instructions may result in electrical hazards
- Warning: Before obtaining access to terminals, all supply circuits must be disconnected.

Always :

- Always put lids on pots and pans when cooking on a gas.
- When in extraction mode, air in the room is being removed by the hood. Please make sure that proper ventilation measures are being observed. The hood removes odours from room but not steam.
- hood is for domestic use only.



- If the supply cord is damaged, it must be replaced by the manufacturer, its service agent or similarly qualified persons in order to avoid a hazard.
- This appliance can be used by children aged from 8 years and above and persons with reduced physical, sensory or mental capabilities or lack of experience and knowledge if they have been given supervision or instruction concerning use of the appliance in a safe way and understand the hazards involved. Children shall not play with the appliance. Cleaning and user maintenance shall not be made by children without supervision.



- **Warning:** Before obtaining access to terminals, all supply circuits must be disconnected.

Always :

- **Caution:** The appliance and its components can become hot during operation. Be careful and avoid touching heated elements. Children younger than 8 years old should stay away unless they are under permanent supervision.
- make sure there is adequate ventilation of the room when the hood is used with gas or other fuel appliances.
- There is a fire risk if cleaning is not carried out in accordance with the instructions
- Regulations concerning the discharge of air have to be fulfilled.
- Clean your appliance periodically by following the method given in the MAINTENANCE chapter
- For safety reason, please use only the same size of support and mounting screw as those recommended in this instruction manual.
- Please refer to maintenance and cleaning section in this instruction manual for the details, method and frequency of cleaning,
- Cleaning and user maintenance shall not be made by children without supervision.
- When the hood and appliances supplied with energy other than electricity are simultaneously in operation, the negative pressure in the room must not exceed 4 Pa (4 x 10⁻⁵ bar).
- **WARNING:** Danger of fire: do not store items on the cooking surfaces.
- A steam cleaner is not to be used.
- **NEVER** try to extinguish a fire with water but switch off the appliance and then cover flame e.g. with a lid or a fire blanket.

READ AND SAVE THESE INSTRUCTIONS

IMPORTANT SAFETY INSTRUCTIONS

WARNING

1. Before servicing or cleaning unit, unplug or disconnect the range hood from the power supply.

2. TO REDUCE THE RISK OF A RANGE TOP GREASE FIRE:

- ✧ Never leave surface units unattended. Boil overs can cause smoking and greasy spillovers may ignite. Heat oils slowly on low or medium settings.
- ✧ Always turn hood ON when cooking at high heat.
- ✧ Clean your hood frequently. Grease should not be allowed to accumulate on fan surfaces or filter.
- ✧ Use proper pan size. Always use cookware appropriate for the size of the surface element.

3. TO REDUCE THE RISK OF INJURY TO PERSONS IN THE EVENT OF A RANGE TOP GREASE FIRE, OBSERVE THE FOLLOWING:

- ✧ SMOTHER FLAMES with a close-fitting lid, cookie sheet, or metal tray, then turn off the burner. BE CAREFUL TO PREVENT BURNS. If the flames do not go out immediately, EVACUATE AND CALL THE FIRE DEPARTMENT.
- ✧ NEVER PICK UP A FLAMING PAN - You may be burned.
- ✧ DO NOT USE WATER, including wet dishcloths or towels - a violent steam explosion will result.
- ✧ Use an extinguisher ONLY if:
 - 1) You know you have a Class ABC extinguisher, and you already know how to operate it.
 - 2) The fire is small and contained in the area where it started.
 - 3) The fire department is being called.
 - 4) You can fight the fire with your back to an exit.

4. To Reduce The Risk Of Fire Or Electric Shock, Do Not Use This hood With Any Solid-State Speed Control Device.

5. PERMANENTLY-CONNECTED HOOD

TO REDUCE THE RISK OF FIRE, ELECTRIC SHOCK, OR INJURY TO PERSONS, OBSERVE THE FOLLOWING:

- ✧ Use this unit only in the manner intended by the manufacturer. If you have questions, contact the manufacturer.
- ✧ Before servicing or cleaning unit, switch power off at service panel and lock the service disconnecting means to prevent power from being switched on accidentally. When the service disconnecting means cannot be locked, securely fasten a prominent warning device, such as a tag, to the service panel.

6. This appliance is not intended for use by persons (including children) with reduced physical, sensory or mental capabilities, or lack of experience and knowledge, unless they have been given supervision or instruction concerning use of the appliance by a person responsible for their safety.
7. Children should be supervised to ensure that they do not play with the appliance. -
8. If the SUPPLY CORD is damaged, it must be replaced by the manufacturer, its service agent or similarly qualified persons in order to avoid a hazard.
9. The air must not be discharged into a flue that is used for exhausting fumes from gas or other fuel appliances
10. The minimum distance between the cooking vessels and the lowest part of the range hood is 24"/61 cm . (When the range hood is located above a gas appliance, this distance shall be at least 26"/66 cm. If the instructions for installation for the gas hob specify a greater distance, this has to be taken into account. The distance of 24"/61 cm can be reduced for
 - non-combustible parts of range hoods, and or
 - parts operating at safety extra low voltage, provided these parts do not give access to live parts if deformed;
11. Regulations concerning the discharge of air must be followed.
12. To Reduce The Risk Of Fire, Electric Shock Or Injury To Persons, Do Not Use Replacement Parts That Have Not Been Recommended By The Manufacturer (e.g. Parts Made At Home Using A 3D Printer)

CAUTION:

1. For General Ventilating Use Only. Do Not Use To Exhaust Hazardous or explosive Materials And Vapors.
2. Make sure there is adequate ventilation in the room when the range hood is used with gas or other fuel appliances.
3. Read the details concerning the cleaning method and frequency.
4. There is a fire risk if cleaning is not conducted in accordance with the instructions.
5. Do not flambé under the range hood
6. Accessible parts may become hot over cooking appliances.

INSTALLATION INSTRUCTIONS

WARNING

1. TO REDUCE THE RISK OF FIRE, USE ONLY METAL DUCTWORK.

GROUNDING INSTRUCTIONS

This appliance must be grounded. In the event of an electrical short circuit, grounding reduces the risk of electric shock by providing an escape wire for the electric current.

WARNING - Improper grounding can result in a risk of electric shock. Consult a qualified electrician if the grounding instructions are not completely understood, or if doubt exists as to whether the appliance is properly grounded.

1. Permanently connected range hood

TO REDUCE THE RISK OF FIRE, ELECTRIC SHOCK, OR INJURY TO PERSONS, OBSERVE THE FOLLOWING:

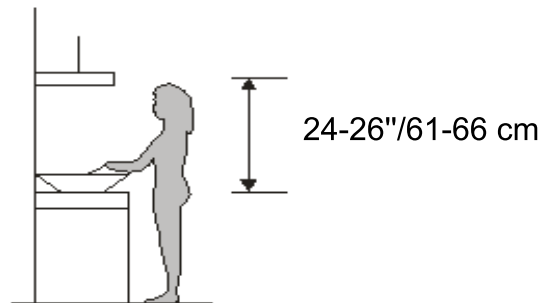
- ✧ Installation work and electrical wiring must be done by qualified person(s) in accordance with all applicable codes and standards, including fire-rated construction.
- ✧ Sufficient air is needed for proper combustion and exhausting of gases through the flue (chimney) of fuel burning equipment to prevent back drafting. Follow the heating equipment manufacturer's guideline and safety standards such as those published by the National Fire Protection Association (NFPA), and the American Society for Heating, Refrigeration and Air Conditioning Engineers (ASHRAE), and the local code authorities.
- ✧ When cutting or drilling into wall or ceiling, do not damage electrical wiring and other hidden utilities.
- ✧ Ducted fans must always be vented to the outdoors.
- ✧ Installation work and electrical wiring must be done by qualified person(s) in accordance with the National Electrical Code, ANSI/NFPA 70 and local codes.
- ✧ Before you begin installing, switch the power off at the service panel and lock the service panel to prevent the power from being switched back on accidentally.
- ✧ Connect power cable to house wiring inside of electrical outlet box. Conductor of product identified as grounded conductor(WHITE) to be connected to a grounded conductor(WHITE) of power supply, conductor of product identified as ungrounded conductor(BLACK) to be connected to an ungrounded conductor(BLACK) of power supply, conductor of product identified for equipment grounding(GREEN) to be connected to an equipment grounding(GREEN) conductor. Secure power cable to wiring box with appropriate wire clamp and re-attach outlet box cover.

⚠ CAUTION : To reduce risk of fire and to properly exhaust air, be sure to duct air outside - Do not vent exhaust air into spaces within walls or ceilings or into attics, crawl spaces, or garages.

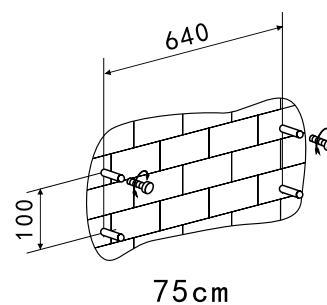
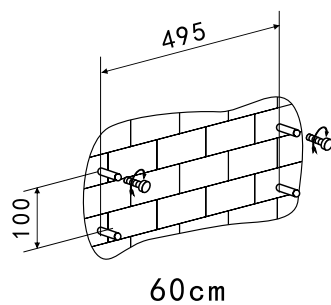
There are two ways of installing the hood: mounted on the wall and under a wall unit.

If Mounting on the wall:

1. For better result the hood should be placed at a distance of 24-26"/61-66cm from the cooking surface .

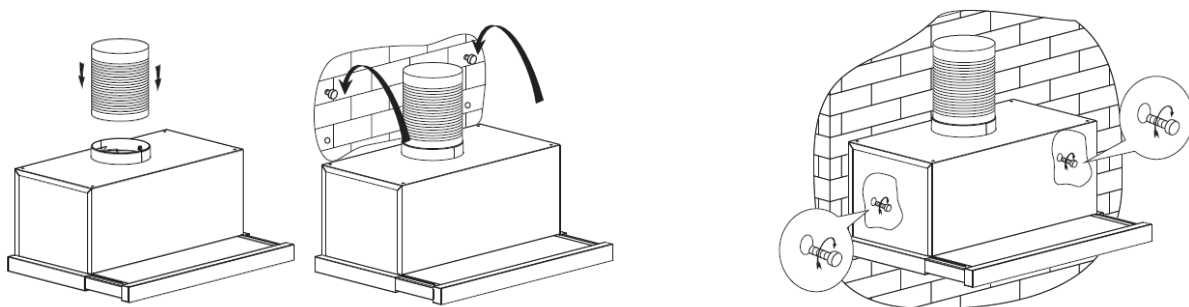


2. To install onto the wall drill 4 holes of $\text{Ø}8\text{mm}$ on a suitable place according to the centre-to-centre distance of the hole at the back of the hood



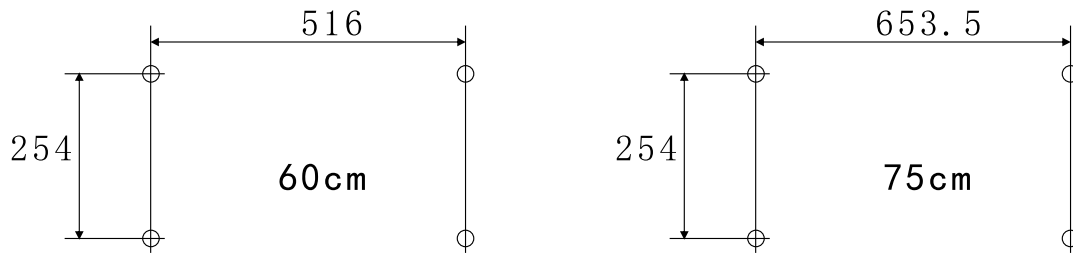
3. Insert the nut into the holes.
4. Insert the screws into the nuts and tighten.
5. Put up the hood onto the fixed screws.

Note: The expansion pipe is not included.

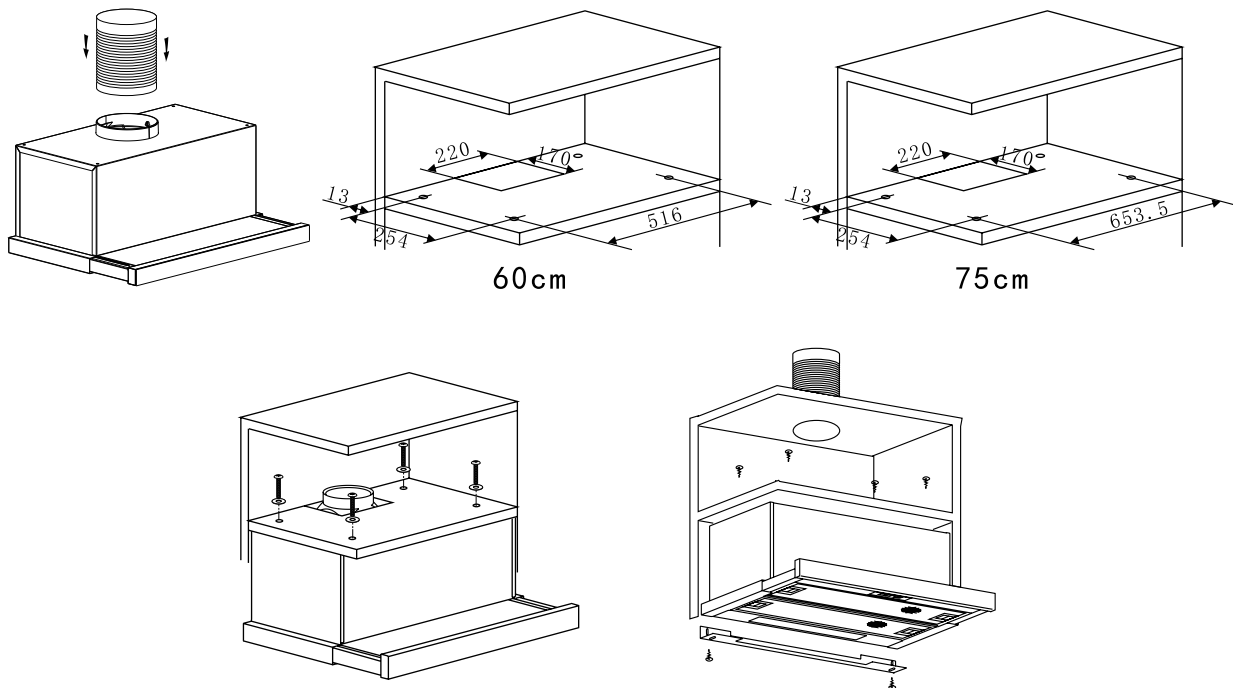


If Mounting under a wall unit


1. Drill 4 holes of 4mm diameter at the bottom of the hanging cupboard.



2. Install the hood on the bottom of the cupboard, tighten the hood with the M4 screws.
3. Use two 3*12 screws to fix the adjusted board on the bottom of the hood in order to keep out the gap between hood back and cupboard.



Note: The expansion pipe is not included.

<p>WARNING:</p> 	<ul style="list-style-type: none">➤ For safety reason, please use only the same size of support or mounting screws which are recommended in this instruction manual.➤ Failure to install the screws or fixing device in accordance with these instructions may result in electrical hazards.
--	---

ELECTRICAL CONNECTION

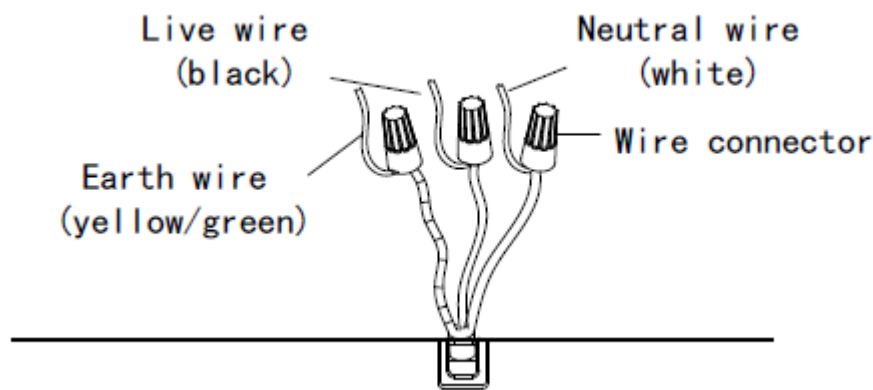
Installation must be conducted by a competent person or qualified electrician.

Before connecting to the main supply ensure that the main voltage corresponds to the voltage on the rating plate.

This range hood does not have a plug. You need to connect the cable to the range hood wiring using the included wire connectors.

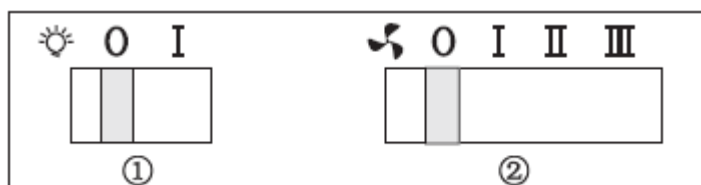
Connect BLACK (live wire) to BLACK, WHITE (neutral wire) to WHITE, GREEN/YELLOW (grounding wire) to GREEN/YELLOW.

WARNING: This is a Class I appliance and MUST be GROUNDED.



USING YOUR HOOD

SLIDER CONTROL



1.Lamp - Turn on/off light

“O” - to turn off the light

“I” - to turn on the light

Power - Slide out drawer, power on; slide in drawer, power off.

2 .Speed -select speed to suit cooking conditions

“O” - to switch off the motor

Low(I)- the fan on 1st speed

Medium(II) - the fan on 2nd speed

High (III) - the fan on 3rd speed

Power - Slide out drawer, power on; slide in drawer, power off.

TROUBLE SHOOTING

Fault	Possible Cause	Solution
Lights are on, but the motor does not work	hood switch is turned off	Select a switch position.
	Hood switch has failed	Contact service center.
	Motor failed	Contact service center.
Light does not work, motor does not work	House fuses blown	Reset/Replace fuses.
	Power cord loose or disconnected	Verify the connections. Switch power outlet on.
Oil leakage	One way valve and the outlet are not tightly sealed	Take down the one-way valve and seal with sealant.
	Leakage from the connection of chimney and cover	Take chimney down and seal it
Lights are not working	Broken/Faulty globes	Replace globes as per instructions.
Insufficient suction	The distance between the hood and the cooking surface is too far	Refit the hood to the correct distance.
The hood inclines	The fixing screw not tight enough	Tighten the hanging screws and level the unit

**NOTE:**

Any electrical repairs to this appliance must conform to your local, state and federal laws. Please contact the service centre if in any doubt before undertaking any of the above. Always disconnect the unit from the power source when opening the unit.

MAINTENANCE AND CLEANING

CAUTION

Before maintenance or cleaning is conducted, the hood should be disconnected from the main power supply.

External surfaces are susceptible to scratches and abrasions, so please follow the cleaning instructions to ensure the best possible result is achieved without damage.

GENERAL

Cleaning and maintenance should be conducted with the appliance cold especially when cleaning. Avoid leaving alkaline or acid substances (lemon juice, vinegar etc.) on the surfaces.

STAINLESS STEEL

The stainless-steel surfaces must be cleaned regularly to ensure long life expectancy. Dry with a clean, soft cloth. A specialized stainless steel cleaning fluid may be used.

NOTE: Ensure that wiping is done following the grain to prevent any unsightly crisscross scratching patterns.

CONTROL PANEL SURFACE

The inlay control panel can be cleaned using warm soapy water. Ensure the cloth is clean and well wrung before cleaning. Use a dry soft cloth to remove any excess moisture left after cleaning.

IMPORTANT

Use neutral detergents and avoid using harsh cleaning chemicals, strong household detergents or products containing abrasives, as this will affect the appliance appearance and potentially remove any printing of artwork on the control panel and will void manufactures warrantee.

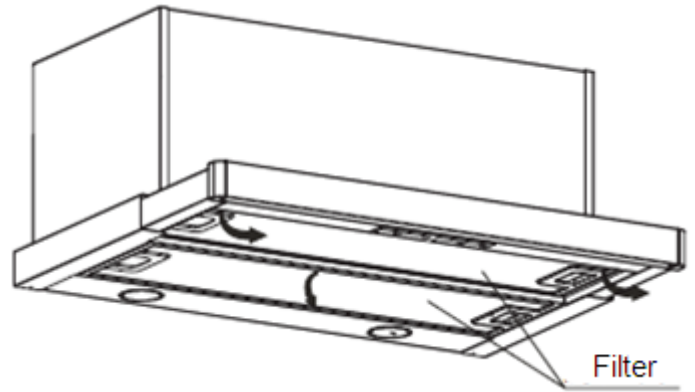
GREASE FILTER

The mesh filter can be cleaned by hand. Soak it for about 3 minutes in water with a grease-loosening detergent then brush it gently with a soft brush. Please do not apply too much pressure, and avoid damage it. (Leave to dry naturally out of direct sun light)

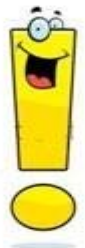
INSTALLING GREASE FILTER

To install filters refer to the following steps:

- Angle the filter into slots at the back of the hood.
- Push the button on the handle of the filter.
- Release the handle once the filter is into position.



LIGHT REPLACEMENT

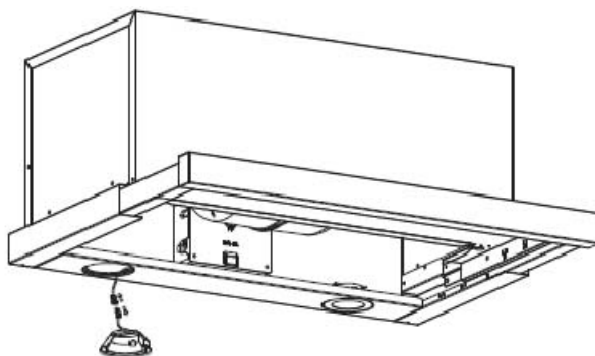
<p>Important:</p> 	<ul style="list-style-type: none">✧ The light must be replaced by the manufacturer, its service agent or similarly qualified persons.✧ Always switch off the electricity supply before conducting any operations on the appliance. When handling the light, make sure it is completely cool down before any direct contact to hands.✧ When handling globes hold with a cloth or gloves to ensure perspiration does not come in contact with the globe as this can reduce the life of the globe.
--	---

NOTES:

- Before changing the lights, make sure that the appliance is turned off.
- When changing lights we recommend wearing gloves.

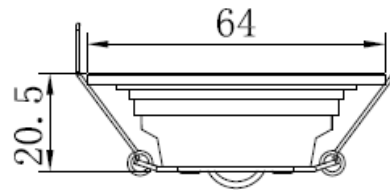
CHANGING THE LIGHTS:

- Remove the grease filter.
- Use a tool or your hand to press the spring splinter on both sides of LED light to the inside, until the light is pressed out. Then slightly pull the light connecting wire out and dismantle the light's connecting wire.
- Apply the reverse procedure to reinstall the new lights.




TYPE OF LIGHT:

- ILCOS D code for this lamp is: DBR-2/65-
- Max wattage: 2x2 W
- Voltage range: AC 120V
- Dimensions: 20.5 X 64



H-64

ENVIRONMENTAL PROTECTION:

	<p>This product is marked with the symbol on the selective sorting of waste electronic equipment. This means that this product must not be disposed of with household waste but must be supported by a system of selective collection in accordance with Directive 2012/19/EU. It will then be recycled or dismantled to minimize impacts on the environment, electrical and electronic products are potentially dangerous for the environment and human health due to the presence of hazardous substances. For more information, please contact your local or regional authorities.</p>
--	---

NOTE:

The following suggests how to reduce total environmental impact:

- (1) Install the hood in a proper place where there is efficient ventilation.
- (2) Clean the hood regularly so as not to block the airway.
- (3) Remember to switch off the hood light after cooking.
- (4) Remember to switch off the hood after cooking.

INFORMATION FOR DISMANTLING

Do not dismantle the appliance in a way which is not shown in the user manual. At the end of life, the appliance should not be disposed of with household waste. Check with you Local Authority or retainer for recycling advice.

SERVICE & WARRANTY

This warranty is valid only within Canada.

Prior to installation, be sure to inspect this product in its entirety. Report any product damage or missing parts to the retailer within 48-hours of purchase and refrain from installing and/or using the product.

This warranty applies to products purchased as new and utilized exclusively in single-family residential settings. This warranty shall be void if it is found to have been improperly used, installed or modified. Furthermore, acts of God, alterations to the product, abuse, fire, flood, or installations not respecting local building codes will void this warranty. Any product that is found to have its serial number tag, altered or removed will see its warranty voided.

Warranty Duration: This product is warranted against any defect in materials or workmanship for the original purchaser for 12 months from the date of original purchase. A proof of purchase will be required for warranty service. During this initial warranty period the manufacturer will cover labor and replacement parts. During this warranty, the manufacturer may repair or replace, at its sole discretion any defective part.

The manufacturer may choose, at its sole discretion, to repair the product or authorize its return or replacement. In the event of a return authorization, the purchaser shall return the item to the retailer for credit of the purchase price.

If called for, an in-home repair will be scheduled during regular business hours in regions where service is available. For customers who are outside serviceable regions, it will be the customer's responsibility to ship or transport the product to and from a region where it can be serviced.

Exclusions:

Consumer replaceable parts such as light bulbs, filters and fuses are excluded from warranty coverage. This warranty does not allow recovery of incidental or consequential damages, including, without limitation, direct, indirect, incidental, special or consequential damages, personal injury/wrongful death, or lost profits, food loss due to product failure. This warranty also excludes rust on the interior or exterior of the unit as well as damages to the finish of appliance or home incurred during transportation or installation, including but not limited to floors, cabinets, walls, etc. Any damages caused by services performed by unauthorized Service Centers as well as the use of parts other than genuine parts or parts obtained from persons other than authorized Service Centers are also excluded from this warranty.

DISCLAIMER OF IMPLIED WARRANTIES; LIMITATION OF REMEDIES THE CUSTOMER'S SOLE AND EXCLUSIVE REMEDY UNDER THIS LIMITED WARRANTY SHALL BE REPAIR OR REPLACEMENTS AS PROVIDED HERE. CLAIMS BASED ON IMPLIED WARRANTIES, INCLUDING WARRANTIES OF MERCHANTABILITY OR FITNESS FOR A PARTICULAR PURPOSE, ARE LIMITED TO ONE YEAR OR THE SHORTEST PERIOD ALLOWED BY LAW,

EXCEPT THOSE LESS THAN ONE YEAR. **The DISTRIBUTOR AND SERVICE CENTER** SHALL NOT BE LIABLE FOR CONSEQUENTIAL OR INCIDENTAL DAMAGES SUCH AS PROPERTY DAMAGE AND INCIDENTAL EXPENSES RESULTING FROM ANY BREACH OF THIS WRITTEN LIMITED WARRANTY OR ANY IMPLIED WARRANTY. SOME PROVINCES DO NOT ALLOW THE EXCLUSION OR LIMITATION OF INCIDENTAL OR CONSEQUENTIAL DAMAGES, OR LIMITATIONS ON THE DURATION OF IMPLIED WARRANTIES, SO THESE LIMITATIONS OR EXCLUSIONS MAY NOT APPLY TO YOU. THIS WRITTEN WARRANTY GIVES YOU SPECIFIC LEGAL RIGHTS. YOU MAY ALSO HAVE OTHER RIGHTS THAT VARY FROM PROVINCE TO PROVINCE.

For questions, service or to order replacement filters, fuses, and light bulbs, please call:

Distinctive Appliances at 1-800-561-7265.

Table des matières

3.....	Consignes de sécurité
9.....	Installation
11.....	Utilisation
12.....	Dépannage
13.....	Entretien et nettoyage
15.....	Protection de l'environnement
16.....	Service et Garantie

CONSIGNES DE SÉCURITÉ

Ce manuel explique comment installer et utiliser correctement votre hotte. Veuillez le lire attentivement avant la première utilisation, même si vous connaissez le produit. Conservez le manuel dans un endroit sûr pour référence ultérieure.

Ce qu'il ne faut jamais faire :

- N'essayez pas d'utiliser la hotte sans les filtres à graisse ou lorsque les filtres sont excessivement sales!
- N'installez pas l'appareil au-dessus d'une cuisinière équipée d'un gril de haut niveau.
- Ne laissez pas les poêles à frire sans surveillance pendant leur utilisation, car les graisses ou les huiles surchauffées peuvent s'enflammer.
- Ne laissez jamais de flammes nues sous la hotte.



- N'essayez pas d'utiliser la hotte si elle est endommagée.
- Ne cuisinez pas de plats flambés sous la hotte.
- ATTENTION : Les pièces accessibles peuvent devenir chaudes lorsqu'elles sont utilisées avec des appareils de cuisson.
- Ne pas ignorer la distance de 24"/61 cm entre la surface supportant les récipients sur la plaque de cuisson et la partie la plus basse de la hotte. (Lorsque la hotte se trouve au-dessus d'un appareil au gaz, cette distance doit être d'au moins 26"/66 cm.)
- L'air ne doit pas être rejeté dans un conduit utilisé pour évacuer les fumées d'appareils fonctionnant au gaz ou à d'autres combustibles.



Ce qu'il faut toujours faire :

- Important! Coupez toujours l'électricité à la source pendant l'installation et l'entretien, comme le remplacement d'une ampoule.
- La hotte doit être installée conformément aux instructions d'installation et toutes les mesures doivent être respectées.
- Tous les travaux d'installation doivent être effectués par une personne compétente ou un électricien qualifié.
- Le matériel d'emballage doit être éliminé correctement. Il peut présenter un danger pour les enfants.
- Faites attention aux arêtes vives à l'intérieur de la hotte, en particulier lors de l'installation et du nettoyage.
- Veillez à ce que les conduits de ventilation ne présentent pas de courbes supérieures à 90 degrés, car cela réduirait l'efficacité de la hotte.
- Avertissement : Le fait de ne pas installer les vis ou le dispositif de montage conformément à ces instructions peut entraîner des risques de défaillance électrique.
- Avertissement : Avant d'accéder aux connecteurs, tous les circuits d'alimentation doivent être déconnectés.

Ce qu'il faut toujours faire :

- Couvrez toujours les casseroles et les poêles lorsque vous cuisinez sur une cuisinière au gaz.
- Lorsque la hotte est en mode d'extraction, elle évacue l'air de la pièce. Veillez à ce que les mesures de ventilation appropriées soient respectées. La hotte de cuisine élimine les odeurs de la pièce, mais pas la vapeur.
- La hotte de cuisine est destinée à un usage domestique uniquement.



- Si le cordon d'alimentation est endommagé, il doit être remplacé par le fabricant, son agent de service ou une personne qualifiée afin d'éviter tout danger.
- Cet appareil peut être utilisé par des enfants à partir de 8 ans et par des personnes ayant une déficience physique, sensorielle ou mentale ou qui manquent d'expérience et de connaissances, à condition qu'elles aient été supervisées ou qu'elles aient reçu des instructions concernant l'utilisation de l'appareil en toute sécurité et qu'elles comprennent les risques encourus. Les enfants ne doivent pas jouer avec l'appareil. Le nettoyage et l'entretien ne doivent pas être effectués par des enfants sans surveillance.



- Avertissement : Avant d'accéder aux connecteurs, tous les circuits d'alimentation doivent être déconnectés.

Ce qu'il faut toujours faire :

- Attention : L'appareil et ses parties accessibles peuvent chauffer pendant le fonctionnement. Évitez de toucher les éléments chauffants. Les enfants de moins de 8 ans doivent rester à l'écart, sauf s'ils sont sous surveillance constante.
- La pièce doit être suffisamment ventilée lorsque la hotte est utilisée en même temps que des appareils fonctionnant au gaz ou à d'autres combustibles.
- Le fait de ne pas effectuer le nettoyage conformément aux instructions présente un risque d'incendie.
- Les réglementations concernant les rejets d'air doivent être respectées.
- Nettoyez régulièrement votre appareil en suivant la méthode indiquée dans le chapitre ENTRETIEN.
- Pour des raisons de sécurité, utilisez uniquement la taille de vis de fixation ou d'accrochage recommandée dans le présent manuel d'instructions.
- Pour plus de détails sur la méthode et la fréquence de nettoyage, référez-vous à la section « Entretien et nettoyage » de ce manuel d'instructions.
- Le nettoyage et l'entretien ne doivent pas être effectués par des enfants sans surveillance.
- Lorsque la hotte et des appareils alimentés par une énergie autre que l'électricité fonctionnent simultanément, la pression négative dans la pièce ne doit pas dépasser 4 Pa (4×10^{-5} bar).
- AVERTISSEMENT! Risque d'incendie : ne rangez pas d'objets sur les surfaces de cuisson.
- N'utilisez pas de machine à vapeur pour le nettoyage.
- N'essayez JAMAIS d'éteindre un feu avec de l'eau. Éteignez plutôt l'appareil et couvrez la flamme, par exemple avec un couvercle ou une couverture anti-feu.

LIRE ET CONSERVER CES INSTRUCTIONS

INSTRUCTIONS DE SÉCURITÉ IMPORTANTES

AVERTISSEMENT

1. AVANT DE PROCÉDER À L'ENTRETIEN OU AU NETTOYAGE DE LA HOTTE, DÉBRANCHEZ L'APPAREIL OU COUPEZ L'ALIMENTATION ÉLECTRIQUE.

2. POUR RÉDUIRE LE RISQUE DE FEU DE GRAISSE SUR LA CUISINIÈRE, RESPECTEZ LES CONSIGNES SUIVANTES :

- ✧ Ne laissez jamais les appareils de surface sur un feu élevé sans surveillance. Les débordements provoquent des émanations de fumée et de graisse qui peuvent s'enflammer. Faites chauffer les huiles lentement à feu doux ou moyen.
- ✧ Activez toujours la hotte lorsque vous cuisinez à feu vif ou lorsque vous faites des plats flambés (par exemple des crêpes Suzette, des cerises jubiléés, un bœuf flambé au poivre).
- ✧ Nettoyez fréquemment votre appareil. La graisse ne doit pas s'accumuler sur les ventilateurs ou le filtre.
- ✧ Utiliser des casseroles de taille appropriée. Utilisez toujours des ustensiles de cuisine adaptés à la taille de l'élément de surface.

3. POUR RÉDUIRE LES RISQUES DE BLESSURE EN CAS DE FEU DE GRAISSE SUR LA CUISINIÈRE, RESPECTEZ LES CONSIGNES SUIVANTES :

- ✧ ÉTOUFFEZ LES FLAMMES à l'aide d'un couvercle hermétique, d'une plaque à biscuits ou d'un plateau métallique, puis éteignez le brûleur. SOYEZ VIGILANT POUR ÉVITER LES BRÛLURES. Si les flammes ne s'éteignent pas immédiatement, ÉVACUEZ ET APPELEZ LES POMPIERS.
- ✧ NE RAMASSEZ JAMAIS UNE CASSEROLE ENFLAMMÉE - Vous pourriez vous brûler.
- ✧ N'UTILISEZ PAS D'EAU ni de serviettes ou de torchons mouillés, car cela pourrait provoquer une violente explosion de vapeur.
- ✧ Utiliser un extincteur UNIQUEMENT si :
 - 1) Vous savez que vous disposez d'un extincteur de classe ABC et vous savez déjà comment l'utiliser.
 - 2) L'incendie est de faible ampleur et reste circonscrit à la zone où il s'est déclaré.
 - 3) Les pompiers ont été appelés.
 - 4) Vous pouvez combattre le feu en étant dos à une sortie.

4. POUR RÉDUIRE LE RISQUE D'INCENDIE OU D'ÉLECTROCUTION, N'UTILISEZ PAS CETTE HOTTE AVEC UN DISPOSITIF DE CONTRÔLE DE LA VITESSE À SEMI-CONDUCTEURS.

5. POUR LA HOTTE DE CUISINE À BRANCHEMENT PERMANENT

POUR RÉDUIRE LES RISQUES D'INCENDIE, D'ÉLECTROCUTION OU DE BLESSURE, OBSERVEZ CE QUI SUIT :

- ✧ Utilisez cet appareil de la manière prévue par le fabricant uniquement. Si vous avez des questions, contactez le fabricant.
 - ✧ Avant de procéder à l'entretien ou au nettoyage de l'appareil, coupez l'alimentation à partir du panneau de service et verrouillez le panneau de service afin d'éviter toute remise sous tension accidentelle. Lorsque le dispositif de déconnexion ne peut pas être verrouillé, fixez solidement un dispositif d'avertissement bien visible, tel qu'une étiquette, sur le panneau de service.
6. Cet appareil n'est pas destiné à être utilisé par des personnes (y compris des enfants) ayant une déficience physique, sensorielle ou mentale ou qui manquent d'expérience et de connaissances, à moins qu'elles ne soient sous la surveillance d'une personne responsable de leur sécurité et qu'elles aient reçu des instructions concernant l'utilisation de l'appareil.
 7. Les enfants doivent être surveillés afin qu'ils ne jouent pas avec l'appareil.
 8. Si le cordon d'alimentation est endommagé, il doit être remplacé par le fabricant, son agent de service ou une personne qualifiée afin d'éviter tout danger.
 9. L'air ne doit pas être rejeté dans un conduit utilisé pour évacuer les fumées d'appareils fonctionnant au gaz ou à d'autres combustibles.
 10. Ne pas ignorer la distance minimale entre la surface supportant les récipients sur la plaque de cuisson et la partie la plus basse de la hotte. (Lorsque la hotte se trouve au-dessus d'un appareil au gaz, cette distance doit être d'au moins 26"/66 cm. Si les instructions d'installation de l'appareil de cuisson au gaz prévoient une distance plus importante, il convient d'en tenir compte. La distance de 26"/66 cm peut être moindre pour :
 - les parties non inflammables des hottes de cuisine, ou
 - les parties fonctionnant à très basse tension de sécurité, à condition que ces parties ne donnent pas accès à d'autres pièces sous tension si elles sont déformées);
 11. Les réglementations concernant les rejets d'air doivent être respectées.
 12. Pour réduire le risque d'incendie, d'électrocution ou de blessure, utilisez uniquement des pièces de rechange qui ont été recommandées par le fabricant (par exemple, n'utilisez pas de pièces fabriquées à la maison à l'aide d'une imprimante 3D).

ATTENTION:

1. Cet appareil doit être utilisé à des fins de ventilation uniquement. Ne pas utiliser pour évacuer des matières et des vapeurs dangereuses ou explosives.
2. La pièce doit être suffisamment ventilée lorsque la hotte est utilisée en même temps que des appareils fonctionnant au gaz ou à d'autres combustibles.
3. Consultez les détails concernant la méthode et la fréquence de nettoyage.
4. Ne pas effectuer le nettoyage conformément aux instructions peut engendrer un

- risque d'incendie.
5. Ne cuisinez pas de plats flambés sous la hotte.
 6. Les pièces accessibles peuvent devenir chaudes au-dessus d'appareils de cuisson.

INSTRUCTIONS D'INSTALLATION

AVERTISSEMENT

1. POUR RÉDUIRE LE RISQUE D'INCENDIE, UTILISEZ UNIQUEMENT DES CONDUITS MÉTALLIQUES.

AVERTISSEMENT - Une mauvaise mise à la terre peut entraîner un risque d'électrocution. Consultez un électricien qualifié si les instructions de mise à la terre ne sont pas entièrement comprises ou si vous avez des doutes quant à la mise à la terre correcte de l'appareil. N'utilisez pas de rallonge.

2. POUR LA HOTTE DE CUISINE À BRANCHEMENT PERMANENT

POUR RÉDUIRE LES RISQUES D'INCENDIE, D'ÉLECTROCUTION OU DE BLESSURE, OBSERVEZ CE QUI SUIT :

- ✧ Les travaux d'installation et le câblage électrique doivent être effectués par des personnes qualifiées, conformément à tous les codes et normes applicables, y compris la construction ignifugée.
- ✧ Une quantité d'air suffisante est nécessaire pour assurer une bonne combustion et l'évacuation des gaz par le conduit d'évacuation (cheminée) des appareils à combustible afin d'éviter les retours d'air. Respectez les directives du fabricant de l'équipement de chauffage et les normes de sécurité publiées par des instances officielles telles la National Fire Protection Association (NFPA), l'American Society for Heating, les Refrigerating and Air-Conditioning Engineers (ASHRAE) et les réglementations locales en vigueur en matière de sécurité.
- ✧ Lorsque vous découpez ou percez le mur ou le plafond, veillez à ne pas endommager le câblage électrique ou d'autres installations cachées.
- ✧ Les ventilateurs aspirants doivent toujours ventiler vers l'extérieur.
- ✧ Les travaux d'installation et le câblage électrique doivent être effectués par des personnes qualifiées, conformément au Code national de l'électricité, ANSI/NFPA 70, et aux réglementations locales en vigueur.
- ✧ Avant de commencer l'installation, coupez l'électricité à partir du panneau de service et verrouillez le panneau de service afin d'éviter toute remise sous tension accidentelle.
- ✧ Connectez le câble d'alimentation au câblage de la maison à l'intérieur de la boîte de sortie électrique. Le conducteur de l'appareil identifié comme conducteur mis à la terre (BLANC) doit être connecté à un conducteur de l'alimentation électrique mis à la terre (BLANC), le conducteur de l'appareil identifié comme conducteur

non mis à la terre (NOIR) doit être connecté à un conducteur de l'alimentation électrique non mis à la terre (NOIR), le conducteur de l'appareil identifié pour la mise à la terre de l'équipement (VERT) doit être connecté à un conducteur de mise à la terre de l'équipement (VERT). Fixez le câble d'alimentation à la boîte de câblage à l'aide d'un serre-fil approprié et remettez en place le couvercle de la boîte de sortie.

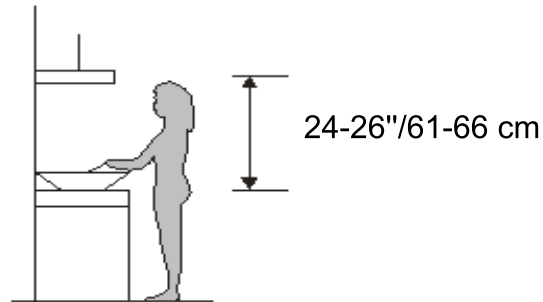
⚠ AVERTISSEMENT : Pour réduire les risques d'incendie et évacuer correctement l'air, veillez à évacuer l'air à l'extérieur. Ne pas évacuer l'air dans des espaces situés à l'intérieur des murs, des plafonds, des greniers, des vides sanitaires ou des garages.

INSTALLATION

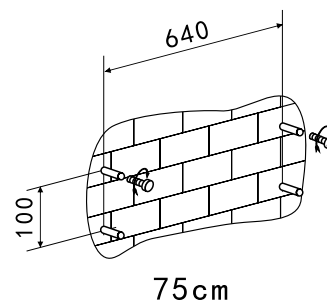
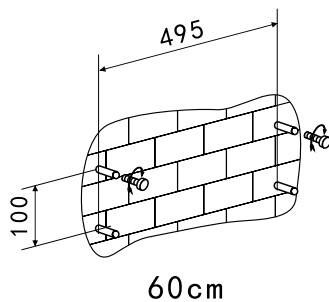
La hotte peut être installée de deux façons : au mur et sous une unité murale.

Première façon : Installation au mur :

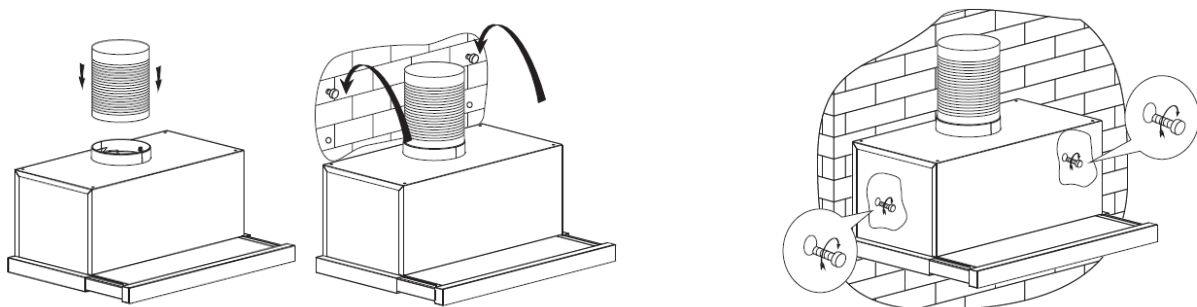
1. Les hottes doivent être placées à une distance de 24-26"/61-66 cm de la surface de cuisson pour un effet optimal.



2. Pour l'installation au mur, percez 4 trous de 8 mm à un endroit approprié en fonction de l'entraxe du trou à l'arrière de la hotte.



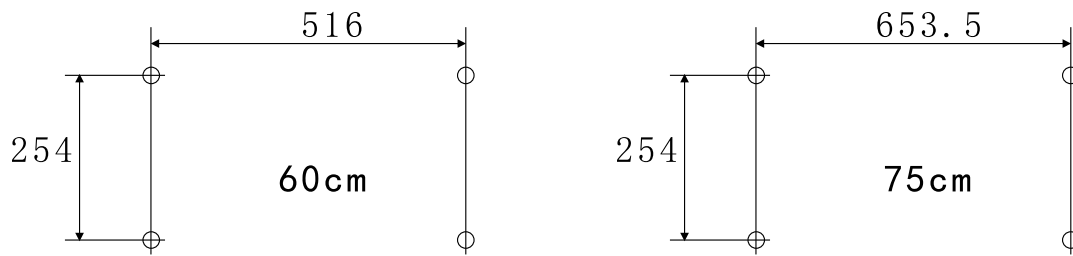
3. Insérez les écrous dans les trous.
 4. Insérez les vis dans les écrous et serrez.
 5. Montez la hotte sur les vis fixes.
- Remarque : Le tuyau d'expansion n'est pas inclus.



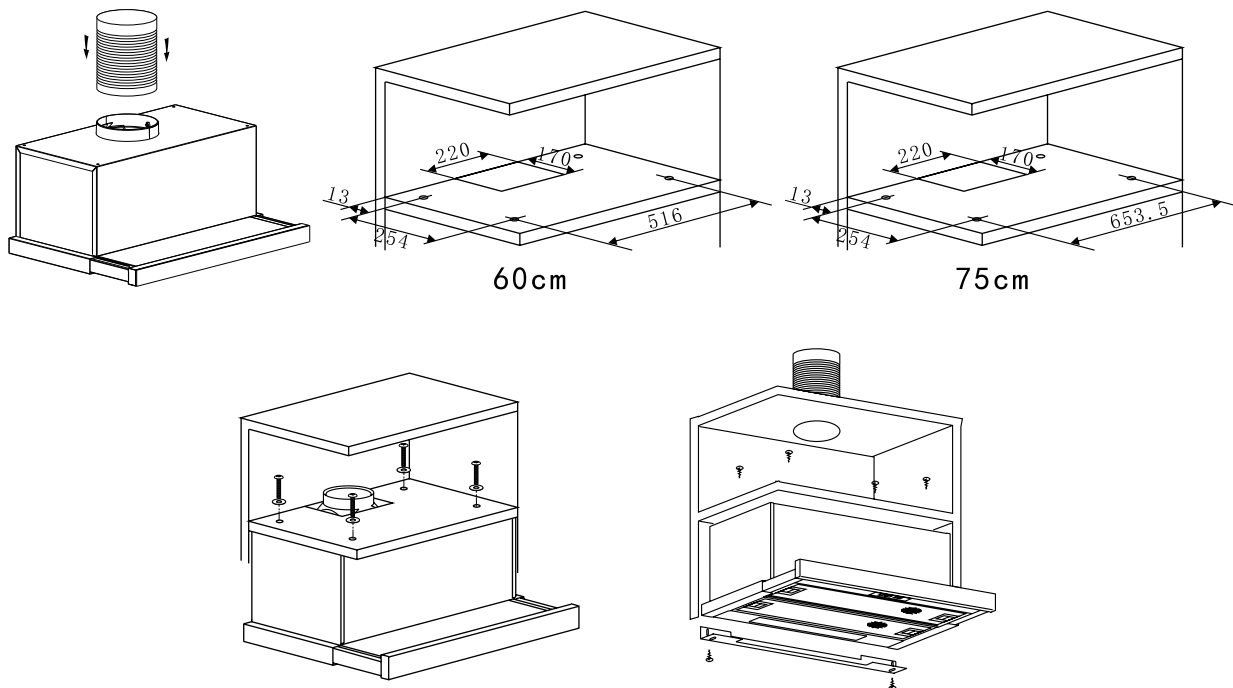
Deuxième façon : Installation sous une unité murale

1. Percez 4 trous de 4 mm de diamètre dans la paroi inférieure de l'armoire

suspendue.



2. Installez la hotte sous la paroi inférieure de l'armoire, serrez la hotte à l'aide des vis M4.
3. Utilisez deux vis no 12, 3 po pour fixer le panneau ajusté sur le fond de la hotte afin de combler l'écart entre l'arrière de la hotte et l'armoire.



Remarque : Le tuyau d'expansion n'est pas inclus.

AVERTISSEMENT :



- Pour des raisons de sécurité, utilisez uniquement la taille de vis de fixation ou d'accrochage recommandée dans le présent manuel d'instructions.
- Le fait de ne pas installer les vis ou le dispositif de montage conformément à ces instructions peut entraîner des risques de défaillance électrique.

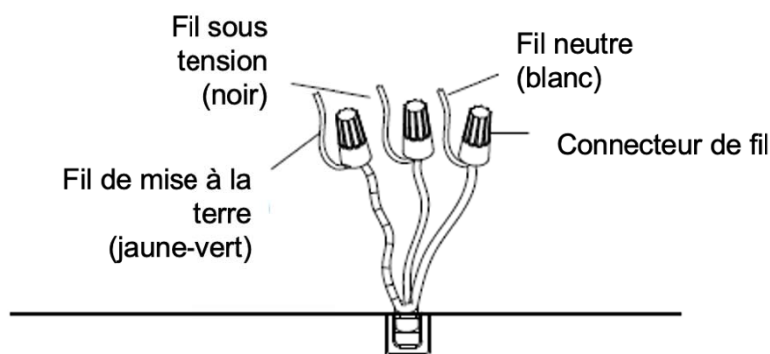
RACCORDEMENT ÉLECTRIQUE

Toute installation doit être effectuée par une personne compétente ou un électricien qualifié. Avant de brancher l'appareil, assurez-vous que la tension du réseau correspond à celle indiquée sur sa plaque signalétique.

Cette hotte ne comprend pas de prise. Vous devrez connecter un câble de raccordement au câblage de la hotte à l'aide des connecteurs fournis.

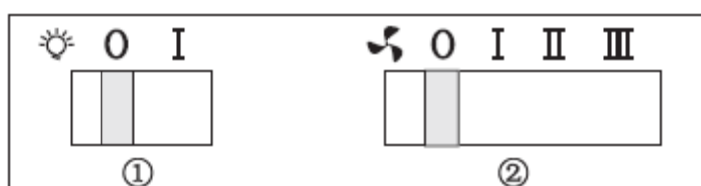
Connectez le fil NOIR (fil sous tension) au NOIR, le fil BLANC (fil neutre) au BLANC, le fil VERT-JAUNE (fil de mise à la terre) au VERT-JAUNE.

AVERTISSEMENT : Il s'agit d'un appareil de classe I et il DOIT être mis à la terre.



UTILISATION

PANNEAU DE CONTRÔLE



1. Lumière - Allumer/éteindre la lumière

« O » - pour allumer ou éteindre la lumière

« I » - pour allumer la lumière

Alimentation - Faire glisser le curseur pour l'allumer; faire glisser le curseur pour l'éteindre.

2. Vitesse - Sélectionner la vitesse en fonction des conditions de cuisson

Choisir « O » - pour éteindre le moteur

Faible (I) - le ventilateur est en 1^{re} vitesse

Moyen (II) - le ventilateur est en 2^e vitesse

Haute (III) - le ventilateur est en 3^e vitesse

Alimentation - Faire glisser le curseur pour l'allumer; faire glisser le curseur pour l'éteindre.

DÉPANNAGE

Problèmes	Causes possibles	Solutions
La lumière s'allume, mais le moteur ne fonctionne pas	Interrupteur du ventilateur désactivé	Sélectionnez la position de l'interrupteur du ventilateur.
	Défaillance du commutateur du ventilateur	Contactez un centre de service.
	Moteur en panne	Contactez un centre de service.
La lumière ne fonctionne pas, le moteur ne fonctionne pas	Fusibles de la maison grillés	Réinitialisez ou remplacez les fusibles.
	Cordon d'alimentation lâche	Vérifier vos connexions
Fuite d'huile	Le clapet anti-retour et la sortie ne sont pas étanches	Démontez le clapet anti-retour et rectifiez l'étanchéité à l'aide d'un produit d'étanchéité.
	Fuite au joint entre la cheminée et le couvercle	Démontez la cheminée et rectifiez l'étanchéité.
Les lumières ne fonctionnent pas	Ampoules grillées ou défectueuses	Remplacer les ampoules conformément à ces instructions.
Aspiration insuffisante	La distance entre la hotte et la cuisinière est trop grande.	Réajustez la hotte à la bonne distance.
La hotte s'incline	La vis de fixation n'est pas assez serrée	Resserrez la vis de fixation jusqu'à ce que la hotte soit en position horizontale et au niveau.



REMARQUE:

Toute réparation électrique de cet appareil doit être conforme aux réglementations locales, nationales et fédérales en vigueur. En cas de doute, veuillez contacter le centre de service avant d'entreprendre l'une des opérations ci-dessus. Débranchez toujours l'appareil de la source d'alimentation avant de l'ouvrir.

ENTRETIEN ET NETTOYAGE

ATTENTION :

Avant de procéder à l'entretien ou au nettoyage, la hotte doit être débranchée de l'alimentation électrique principale.

Les surfaces extérieures sont susceptibles d'être abimées. Il convient donc de suivre les instructions de nettoyage afin d'obtenir les meilleurs résultats possibles sans dommages.

GÉNÉRALITÉS

Le nettoyage et l'entretien doivent être effectués lorsque l'appareil est froid, en particulier le nettoyage. Évitez de laisser des substances alcalines ou acides (jus de citron, vinaigre, etc.) sur les surfaces.

ACIER INOXYDABLE

L'acier inoxydable doit être nettoyé régulièrement pour prolonger sa durabilité. Essuyez avec un chiffon propre et doux. Un liquide de nettoyage conçu pour l'acier inoxydable peut être utilisé.

REMARQUE : Veillez à frotter dans le sens du grain de l'acier inoxydable afin d'éviter l'apparition de rayures croisées disgracieuses.

SURFACE DU PANNEAU DE CONTRÔLE

Le panneau de contrôle peut être nettoyé avec de l'eau chaude savonneuse. Veillez à ce que le chiffon soit propre et bien essoré avant de le nettoyer. Utilisez un chiffon doux et sec pour enlever l'excès d'humidité après le nettoyage.

IMPORTANT

Utilisez des détergents doux et évitez d'utiliser des produits de nettoyage chimiques, des détergents ménagers puissants ou des produits contenant des abrasifs, car cela affecterait l'apparence de l'appareil et pourrait effacer toute impression sur le panneau de commande, ce qui annulerait la garantie du fabricant.

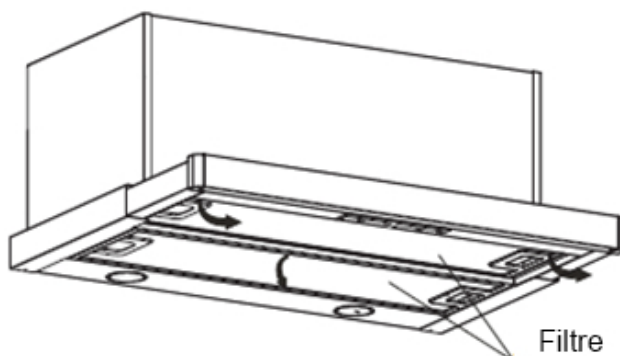
FILTRES

Les filtres doivent être nettoyés à la main. Trempez-les pendant environ 3 minutes dans de l'eau additionnée d'un détergent dégraissant, puis brossez délicatement avec une brosse douce. N'appliquez pas une pression trop forte afin de ne pas les endommager. (Laisser sécher à l'air, à l'abri de la lumière directe du soleil.)


INSTALLATION DU FILTRE

Pour installer des filtres, suivez les quatre étapes suivantes :

- Inclinez les filtres dans les fentes situées à l'arrière de la hotte.
- Appuyez sur le bouton situé sur la poignée du filtre.
- Relâchez la poignée une fois que le filtre est correctement en position.



REPLACEMENT DES AMPOULES

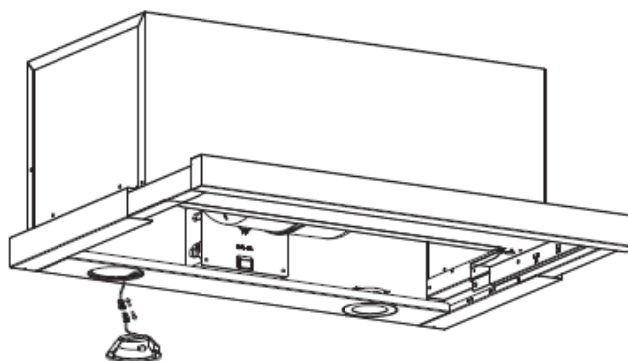
<p>Important :</p> 	<ul style="list-style-type: none"> ✧ Les ampoules doivent être remplacées par le fabricant, son agent de service ou des personnes de qualification similaire. ✧ Coupez toujours l'alimentation électrique avant d'effectuer toute opération sur l'appareil. Lorsque vous manipulez l'ampoule, veillez à ce qu'elle soit complètement refroidie avant de la toucher directement avec les mains. ✧ Portez des gants ou utilisez un chiffon lorsque vous manipulez les ampoules; le contact avec la transpiration ou l'humidité peut réduire leur durée de vie.
--	---

Remarque :

- Avant de changer les ampoules, assurez-vous que l'appareil est déconnecté de l'alimentation électrique.
- Protégez-vous contre les dangers lors du changement des ampoules, en portant des gants par exemple.

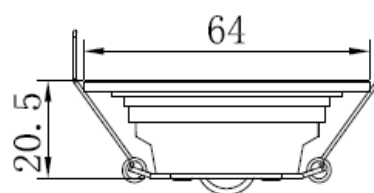
CHANGER LES AMPOULES :

- Retirez le filtre à graisse.
- Pincez avec la main ou un outil les ailettes à ressort des deux côtés de l'ampoule DEL vers l'intérieur, jusqu'à ce qu'elle soit sortie .
- Tirez ensuite légèrement sur le fil de connexion et détachez le fil de connexion de l'ampoule.
- Appliquez la procédure inverse pour installer la nouvelle ampoule.




TYPE D'AMPOULE :

- Le code ILCOS D pour ces ampoules : DBR-2/65-H-64
- Puissance maximale : 2 x 2 W
- Plage de tension : AC120V
- Dimensions; VOIR DESSIN



LA PROTECTION DE L'ENVIRONNEMENT :

 .	<p>Ce produit porte le symbole du tri sélectif des déchets d'équipements électroniques. Cela signifie qu'il ne doit pas être éliminé avec les déchets ménagers, mais doit faire l'objet d'une collecte sélective conformément à la directive 2012/19/UE. Le produit doit être recyclé ou démantelé afin de minimiser l'impact sur l'environnement. Les produits électriques et électroniques sont potentiellement dangereux pour l'environnement et la santé humaine en raison de la présence de substances dangereuses. Pour plus d'informations, veuillez contacter vos autorités locales ou régionales.</p>
--	--

REMARQUE :

Le tableau suivant montre comment réduire l'impact environnemental (par exemple, par la consommation d'énergie) du processus de cuisson.

- (1) Installez la hotte dans un endroit approprié où il y a suffisamment de ventilation.
- (2) Nettoyez régulièrement la hotte de cuisine afin de prévenir l'obstruction du passage d'air.
- (3) Éteignez la lumière de la hotte après l'utilisation.
- (4) Éteignez la hotte après l'utilisation.

INFORMATIONS POUR LE DÉMONTAGE

Ne démontez pas l'appareil autrement que selon la manière indiquée dans le manuel d'utilisation. En fin de vie, l'appareil ne doit pas être jeté avec les ordures ménagères. Renseignez-vous auprès des autorités locales ou de votre dépositaire pour obtenir des conseils en matière de recyclage.

SERVICE ET GARANTIE

Cette garantie est valide uniquement au Canada.

Avant l'installation, assurez-vous d'inspecter ce produit dans son intégralité. Signalez tout dommage au produit ou pièce manquante au détaillant dans les 48 heures suivant l'achat et abstenez-vous d'installer et/ou d'utiliser le produit.

Cette garantie s'applique aux produits achetés neufs et utilisés exclusivement dans des contextes résidentiels unifamiliaux. Cette garantie sera nulle si le produit a été utilisé, installé ou modifié de manière inappropriée. De plus, les actes de Dieu, les modifications du produit, les abus, les incendies, les inondations ou les installations ne respectant pas les codes du bâtiment locaux annuleront cette garantie. Tout produit dont l'étiquette de numéro de série a été altérée ou retirée verra sa garantie annulée.

Durée de la garantie : ce produit est garanti contre tout défaut de matériaux ou de fabrication pour l'acheteur original pendant une période de 12 mois à compter de la date d'achat initial. Une preuve d'achat sera requise pour le service de garantie. Pendant cette période initiale de garantie, le fabricant couvrira la main-d'œuvre et les pièces de rechange. Pendant cette garantie, le fabricant peut réparer ou remplacer à sa seule discrétion toute pièce défectueuse.

Le fabricant peut choisir, à sa seule discrétion, de réparer le produit, d'autoriser son retour ou son remplacement. En cas d'autorisation de retour, l'acheteur doit retourner l'article au détaillant pour un crédit du prix d'achat.

Si nécessaire, une réparation à domicile sera programmée pendant les heures ouvrables normales dans les régions où le service est disponible. Pour les clients qui se trouvent en dehors des régions desservies, il sera de la responsabilité du client d'expédier ou de transporter le produit vers et depuis une région où il peut être réparé.

Exclusions :

Les pièces remplaçables par le consommateur telles que les ampoules, les filtres et les fusibles sont exclues de la couverture de la garantie. Cette garantie n'autorise pas le recouvrement de dommages indirects ou consécutifs, y compris, sans limitation, les dommages directs, indirects, accessoires, spéciaux ou consécutifs, les blessures corporelles/mort injustifiée ou la perte de profits, la perte de nourriture due à la défaillance du produit. Cette garantie exclut également la rouille à l'intérieur ou à l'extérieur de l'unité, ainsi que les dommages à la finition de l'appareil ou de la maison survenus pendant le transport ou l'installation, y compris, mais sans s'y limiter, les planchers, les armoires, les murs, etc. Tout dommage causé par des services effectués par des centres de service non autorisés, ainsi que l'utilisation de pièces autres que des pièces d'origine ou des pièces obtenues auprès de

personnes autres que des centres de service autorisés, sont également exclus de cette garantie.

EXCLUSION DE GARANTIES IMPLICITES; LIMITATION DES RECOURS LE SEUL ET UNIQUE RECOURS DU CLIENT EN VERTU DE CETTE GARANTIE LIMITÉE SERA LA RÉPARATION OU LE REMPLACEMENT TEL QUE PRÉVU ICI. LES RÉCLAMATIONS BASÉES SUR DES GARANTIES IMPLICITES, Y COMPRIS LES GARANTIES DE QUALITÉ MARCHANDE OU D'ADAPTATION À UN USAGE PARTICULIER, SONT LIMITÉES À UN AN OU À LA PÉRIODE LA PLUS COURTE AUTORISÉE PAR LA LOI, SAUF CELLES DE MOINS D'UN AN. **LE DISTRIBUTEUR ET LE CENTRE DE SERVICE NE SERONT PAS RESPONSABLES DES DOMMAGES CONSÉCUTIFS OU ACCESSOIRES TELS QUE LES DOMMAGES MATÉRIELS ET LES DÉPENSES ACCESSOIRES RÉSULTANT DE TOUTE VIOLATION DE CETTE GARANTIE LIMITÉE ÉCRITE OU DE TOUTE GARANTIE IMPLICITE. CERTAINES PROVINCES NE PERMETTENT PAS L'EXCLUSION OU LA LIMITATION DES DOMMAGES ACCESSOIRES OU CONSÉCUTIFS OU LES LIMITATIONS SUR LA DURÉE DES GARANTIES IMPLICITES, DONC CES LIMITATIONS OU EXCLUSIONS PEUVENT NE PAS S'APPLIQUER À VOUS. CETTE GARANTIE ÉCRITE VOUS DONNE DES DROITS LÉGAUX SPÉCIFIQUES. VOUS POUVEZ ÉGALEMENT AVOIR D'AUTRES DROITS QUI VARIENT D'UNE PROVINCE À L'AUTRE.**

Pour toute question, service ou pour commander des filtres de remplacement, fusibles et ampoules, veuillez appeler :

Distinctive Appliances au 1-800-561-7265.