



Register your
appliance and join
the Bosch
family of perks:
[bosch-home.com/us/
mybosch](https://bosch-home.com/us/mybosch)



Freezer refrigerator

B36.D5..

[en-us] Use and Care Manual	Freezer refrigerator	2
[fr-ca] Manuel d'utilisation	Réfrigérateur / congélateur combiné	30
[es-mx] Manual del usuario	Refrigerador/congelador	60

Further information and explanations are available online:



Table of contents

1 Safety	4	8 Additional functions	13
1.1 Safety definitions.....	4	8.1 Super cooling	13
1.2 General information.....	4	8.2 Super freezing.....	14
1.3 Intended use	4	8.3 Sabbath mode.....	14
1.4 Restrictive Use.....	4	8.4 Filter change notification.....	14
1.5 Safe transport	4	9 Alarm	14
1.6 Safe installation.....	4	9.1 Door alarm	14
1.7 Safe use.....	5	9.2 Temperature alarm.....	14
1.8 Damaged appliance	5	10 Home Connect®	15
1.9 State of California Proposition 65 Warnings	6	10.1 Setting up the Home Connect® app.....	15
2 Preventing material damage	7	10.2 Setting up Home Connect®.....	15
3 Environmental protection and energy-saving	7	10.3 Switching on the connection to the WLAN home network (Wi-Fi).....	15
3.1 Disposal of packaging	7	10.4 Switching off the connection to the WLAN home network (Wi-Fi).....	15
3.2 Saving energy	7	10.5 Installing updates for the Home Connect® software	15
4 Installation and connection	7	10.6 Resetting the Home Connect® settings.....	15
4.1 Included in delivery	7	10.7 Remote Diagnostics	15
4.2 Criteria for the installation location	8	10.8 Data Protection	16
4.3 Installing the appliance.....	8	11 Refrigerator compartment	16
4.4 Preparing the appliance for first use.....	8	11.1 Tips for storing food in the refrigerator compartment	16
4.5 Connecting the appliance to the drinking water connection	8	11.2 Chill zones in the refrigerator compartment	16
4.6 Connecting the appliance to the electricity supply	8	12 Freezer compartment	16
5 Familiarizing yourself with your appliance	9	12.1 Tips for storing food in the freezer compartment ...	16
5.1 Appliance	9	12.2 Tips for freezing fresh food.....	16
5.2 Control panel.....	10	12.3 Defrosting methods for frozen food	17
5.3 Control panel (submenu).....	11	13 Water system	17
5.4 Controls (ice and water dispenser).....	11	13.1 Water filter.....	17
6 Features	11	13.2 Ice and water dispenser	18
6.1 Shelf	11	14 Defrosting	19
6.2 Storage container.....	11	14.1 Defrosting in the refrigerator compartment	19
6.3 Fruit and vegetable container with humidity controller	11	14.2 Defrosting in the freezer compartment.....	19
6.4 Container divider.....	12	15 Cleaning and maintenance	19
6.5 Frozen food pull-out container.....	12	15.1 Preparing the appliance for cleaning	19
6.6 Suspended frozen food container.....	12	15.2 Cleaning the appliance.....	20
6.7 Door tray	12	15.3 Cleaning the drip tray	20
6.8 Ice storage container.....	12	15.4 Removing the fittings.....	20
7 Basic Operation	12	15.5 Removing the appliance components.....	22
7.1 Switching on the appliance.....	12	16 Troubleshooting	25
7.2 Operating tips.....	13	16.1 Power failure	28
7.3 Switching off the appliance.....	13	16.2 Conducting an appliance self-test.....	28
7.4 Setting the temperature unit.....	13		
7.5 Setting the temperature.....	13		
7.6 Keylock	13		

17 Storage and disposal	28
17.1 Taking the appliance out of operation	28
17.2 Disposal of your old appliance	29
18 Customer Service	29
18.1 Model number (E-Nr.), production number (FD) and consecutive numbering (Z-Nr.).....	29
19 Technical specifications	29
19.1 Information regarding Free and Open Source Software.....	29



IMPORTANT SAFETY INSTRUCTIONS

READ AND SAVE THESE INSTRUCTIONS

Observe the following safety instructions.

1.1 Safety definitions

Here you can find explanations of the safety signal words used in this manual.

WARNING

This indicates that death or serious injuries may occur as a result of non-observance of this warning.

CAUTION

This indicates that minor or moderate injuries may occur as a result of non-observance of this warning.

NOTICE:

This indicates that damage to the appliance or property may occur as a result of non-compliance with this advisory.

Note: This alerts you to important information and/or tips.

1.2 General information

- Read this manual carefully.
- Keep the manual and the product information in a safe place for future reference or for the next owner.
- Do not connect the appliance if it has been damaged in transit.

1.3 Intended use

Only use this appliance:

- for chilling and freezing food, for dispensing ice and water.
- for normal household use and in enclosed spaces in a residential environment.
- Up to an altitude of 13,100 ft (4000 m) above sea level.

1.4 Restrictive Use

This appliance is not intended for use by persons (including children) with reduced physical, sensory or mental capabilities, or lack of experience and knowledge, unless they have been given supervision or instruction concerning use of the appliance by a person responsible for their safety.

Do not let children play with the appliance.

Cleaning and user maintenance must not be performed by children unless they are being supervised.

1.5 Safe transport

WARNING

The heavy weight of the appliance may result in injury when lifted.

- ▶ Do not lift the appliance on your own.

1.6 Safe installation

WARNING

To avoid risk of injury from incorrect repairs, observe the following.

- ▶ Connect and operate the appliance only in accordance with the specifications on the rating plate.
- ▶ Connect the appliance to a power supply with alternating current only via a correctly installed socket outlet with grounding.
- ▶ The protective conductor system of the domestic electrical installation must be properly installed.
- ▶ Never equip the appliance with an external switching device, e.g. a timer or remote control.
- ▶ When the appliance is installed, the mains plug of the power cord must be freely accessible. If free access is not possible, an isolating switch must be integrated into the permanent electrical installation according to the installation regulations.
- ▶ When installing the appliance, check that the power cord is not trapped or damaged.

To avoid risk of injury from damaged insulation of the power cord, observe the following.

- ▶ Never let the power cord come into contact with heat sources.

WARNING

If the appliance's ventilation openings are closed off, a leak in the refrigeration circuit may result in a flammable mixture of gas and air.

- ▶ Keep ventilation openings in the appliance casing or in the integrated casing clear of obstruction.

WARNING

To avoid risk of injury from an extended power cord and non-approved adapters, observe the following.

- ▶ Do not use extension cords or multiple socket strips.
- ▶ Only use adapters and power cords approved by the manufacturer.
- ▶ If the power cord is too short and a longer one is not available, please contact an electrician to have the domestic installation adapted.



IMPORTANT SAFETY INSTRUCTIONS

READ AND SAVE THESE INSTRUCTIONS

Portable multiple socket strips or portable power supply units may overheat and cause a fire.

- ▶ Do not place portable multiple socket strips or power supply units on the back of the appliance.

1.7 Safe use

WARNING

Moisture intrusion may cause an electric shock.

- ▶ Use the appliance in enclosed spaces only.
- ▶ Never expose the appliance to intense heat or humidity.
- ▶ Do not use any steam cleaners or high-pressure cleaners to clean the appliance.

WARNING

Children may pull packaging material over their heads, or wrap themselves up in it and suffocate.

- ▶ Keep packaging material away from children.
 - ▶ Do not allow children to play with packaging material.
- Children may breathe in or swallow small parts, causing them to suffocate.
- ▶ Keep small parts away from children.
 - ▶ Do not allow children to play with small parts.

WARNING

If the cooling circuit is damaged, flammable refrigerant may escape and explode.

- ▶ To accelerate the defrosting process, do not use any other mechanical devices or means other than those recommended by the manufacturer.
- ▶ If food is stuck to the freezer compartment, loosen it with a blunt implement such as the handle of a wooden spoon.

Products which contain flammable propellants and explosive substances may explode, e.g. spray cans.

- ▶ Do not store products which contain flammable propellants (e.g. spray cans) or explosive substances in the appliance.

WARNING

Electrical devices placed inside the appliance may cause a fire, e.g. heaters or electric ice makers.

- ▶ Do not operate electrical devices within the appliance.

WARNING

Containers which contain carbonated drinks may burst.

- ▶ Do not store containers which contain carbonated drinks in the freezer compartment.

Injury to the eyes caused by escaping flammable refrigerant and hazardous gases.

- ▶ Do not damage the tubes of the refrigerant circuit or the insulation.

The appliance may tip.

- ▶ Do not stand or lean on the base, runners or doors.

WARNING

Contact with frozen food and cold surfaces may cause burns by refrigeration.

- ▶ Never put frozen food straight from the freezer compartment into your mouth.
- ▶ Avoid prolonged skin contact with frozen food, ice and surfaces in the freezer compartment.

CAUTION

To prevent food from being contaminated, you must observe the following instructions.

- ▶ Leaving the door open for an extended period of time may lead to a considerable temperature increase in the compartments of the appliance.
 - ▶ Regularly clean the surfaces that may come into contact with food and accessible drain systems.
 - ▶ If water has not been dispensed for 5 days, flush the water system.
 - ▶ Store raw meat and fish in suitable containers in the refrigerator so that they do not touch or drip on other food.
 - ▶ If the fridge/freezer is empty for an extended period of time, switch off the appliance, defrost it, clean it and leave the door open to prevent the formation of mold.
- Metal or metal-style parts in the appliance may contain aluminum. If acidic food comes into contact with aluminum in the appliance, aluminum ions may pass into the food.
- ▶ Do not consume soiled food.

1.8 Damaged appliance

WARNING

To avoid risk of injury from a damaged appliance or power cord, observe the following.

- ▶ Never operate a damaged appliance.
- ▶ Never pull on the power cord to unplug the appliance. Always unplug the appliance at the power outlet.
- ▶ If the appliance or the power cord is damaged, immediately unplug the power cord or switch off the breaker in the circuit breaker box and turn off the water tap.
- ▶ Call Customer Service. → *Page 29*



IMPORTANT SAFETY INSTRUCTIONS

READ AND SAVE THESE INSTRUCTIONS

To avoid risk of injury from improper repairs, observe the following.

- ▶ Only qualified technicians or authorized service providers should perform repairs.
- ▶ Only original spare parts may be used to repair the appliance.
- ▶ If the power cord or the appliance power cable of this appliance becomes damaged, it must be replaced with a special power cord or special appliance power cable, which is available from the manufacturer or the manufacturer's Customer Service.

WARNING



If the tubes are damaged, flammable refrigerant and harmful gases may escape and ignite.

- ▶ Keep open flames and ignition sources away from the appliance.
- ▶ Ventilate the room.
- ▶ Switch off the appliance. → *Page 13*
- ▶ Unplug the appliance from the power source or switch off the circuit breaker in the fuse box.
- ▶ Call Customer Service. → *Page 29*

1.9 State of California Proposition 65 Warnings

This product may contain a chemical known to the State of California, which can cause cancer or reproductive harm. Therefore, the packaging of your product may bear the following label as required by California:

<p>STATE OF CALIFORNIA PROPOSITION 65 WARNING: / AVERTISSEMENT ISSUE DE LA PROPOSITION 65 DE L'ÉTAT DE LA CALIFORNIE:</p>	
	<p>WARNING / AVERTISSEMENT</p>
<p>Cancer and Reproductive Harm / Cancer et dommages à la reproduction - www.P65Warnings.ca.gov.</p>	

2 Preventing material damage

NOTICE:

The high weight of the appliance or, if not rolled in a straight line, the appliance's castors may damage the floor when the appliance is moved.

- ▶ Transport the appliance using a hand-cart.
- ▶ Use floor protection when moving the appliance, and do not move it in a zigzag fashion.

When the appliance door is closed, the mullion rail should be closed (flush with the door edge) or damage may occur.

- ▶ Never open the mullion rail manually.
- ▶ If the mullion rail has been opened, rotate it closed (flush with the door edge) before closing the appliance door.

Using the appliance, base, runners or doors as a seat or climbing surface may damage the appliance.

- ▶ Do not stand or lean on the appliance, base, runners or doors.

If the water pressure is too high or too low, this may impair functioning of the appliance.

- ▶ Make sure that the water pressure in the water supply system is at least 29 psi (200 kPa) and max. 116 psi (800 kPa).
- ▶ If the water pressure exceeds the maximum value specified, a pressure-reducing valve must be installed between the drinking water connection and the hose set of the appliance.

Modified or damaged water hoses may result in material damage and damage to the appliance.

- ▶ Never kink, crush, modify or cut through water hoses.
- ▶ Never re-use water hoses that have been used before.
- ▶ Never pull on the water hose on the rear panel of the appliance.

Contamination with oil or fat may cause plastic parts and door seals to become porous.

- ▶ Keep plastic parts and door seals free of oil and grease.
- Metal or metal-style parts in the appliance may contain aluminum. When aluminum comes into contact with acidic foods, it corrodes and discolors.

- ▶ Only store packaged food in the appliance.

If you clean fittings and accessories in the dishwasher, this may cause them to become deformed or discolor.

- ▶ Never clean fittings and accessories in the dishwasher.

3 Environmental protection and energy-saving

3.1 Disposal of packaging

The packaging materials are environmentally compatible and can be recycled.

- ▶ Sort the individual components by type and dispose of them separately.

3.2 Saving energy

If you follow these instructions, your appliance will use less power.

Selecting the installation location

- Keep the appliance out of direct sunlight.
- Install the appliance as far away as possible from heating elements, stoves and other heat sources:
 - Maintain a 1¹/₄" (30 mm) clearance to electric or gas stoves.
 - Maintain an 11¹³/₁₆" (300 mm) clearance to oil or solid-fuel stoves.
- Never cover or block the external ventilation openings.

Saving energy during use

Note: The arrangement of the fittings does not affect the energy consumption of the appliance.

- Open the appliance only briefly and then close it carefully.
- Never cover or block the interior ventilation openings or the exterior ventilation openings.
- Transport purchased food in a cooler and place quickly in the appliance.
- Allow warm food and drinks to cool down before storing them.
- Thaw frozen food in the refrigerator compartment to utilize the low temperature of the food.
- Always leave some space between the food and to the back panel.
- Vacuum the external ventilation grilles when they are dusty.

Control panel energy-saving mode

If the appliance is not being used, the control panel automatically switches to control panel energy-saving mode.

In control panel energy-saving mode, the selection option for the ice and water dispenser is shown with reduced brightness.

Notes

- If Super cooling is switched on, "super" (Refrigerator compartment) lights up.
- If Super freezing is switched on, "super" (Freezer compartment) lights up.

Control panel energy-saving mode is deactivated as soon as you operate the control panel, press the dispensing button, or open the door.

4 Installation and connection

4.1 Included in delivery

After unpacking all the parts, check for any damage in transit and for completeness of delivery.

If you have any concerns, contact your dealer or our Customer Service → *Page 29*.


The delivery consists of the following:

- Free-standing appliance
- Equipment and accessories¹
- Installation material
- Installation instructions
- User manual
- Explanation of the limited product warranty
- Warranty enclosure²
- Energy label
- Information about Home Connect®

4.2 Criteria for the installation location

WARNING

If the appliance is in a space that is too small, a leak in the refrigeration circuit may result in a flammable mixture of gas and air.

- ▶ Only install the appliance in a space with a volume of at least 35 ft³ (1 m³) per 0.3 oz (8 g) refrigerant. The amount of refrigerant is indicated on the rating label.
→ "Appliance", Fig. , Page 10

The weight of the appliance from factory may be up to 335 lbs (150 kg) depending on the model.

The subfloor must be sufficiently stable to bear the weight of the appliance.

The surface must be level.

Over-and-under and side-by-side installation

If you want to install 2 refrigerating appliances one over the other or side by side, you must maintain a clearance of at least 150 mm between the appliances. Selected appliances can be installed without a minimum clearance. Ask your dealer or kitchen planner about this.

4.3 Installing the appliance

- ▶ Install the appliance in accordance with the enclosed installation instructions.

4.4 Preparing the appliance for first use

1. Remove the information material.
2. Remove the protective film and transit bolts, e.g. remove the adhesive strips and cardboard.
3. Clean the appliance for the first time. → Page 20

4.5 Connecting the appliance to the drinking water connection

Requirements


- A shut-off valve must be installed on the water connection and be freely accessible following installation of the appliance.
 - Ensure that the water coming from the water connection is potable.
 - The water hose has a sealing ring.
1. Draw mains water from the domestic drinking water connection until the water is no longer cloudy and contains no deposits.

If the mains water is still cloudy or contains deposits, install an external water filter system.

2. Install the water hose according to the enclosed installation instructions on the appliance.

4.6 Connecting the appliance to the electricity supply

1. Insert the appliance plug of the power cord into the appliance.
2. Insert the power plug of the appliance's power cord in a socket outlet with grounding nearby.

The connection data of the appliance can be found on the rating plate. → "Appliance", Fig. , Page 10

3. Check the power plug is inserted properly.
 - ✓ The control panel shows an animation and is locked.
 - ✓ The appliance is ready to use once the animation has ended and the temperature displays light up.

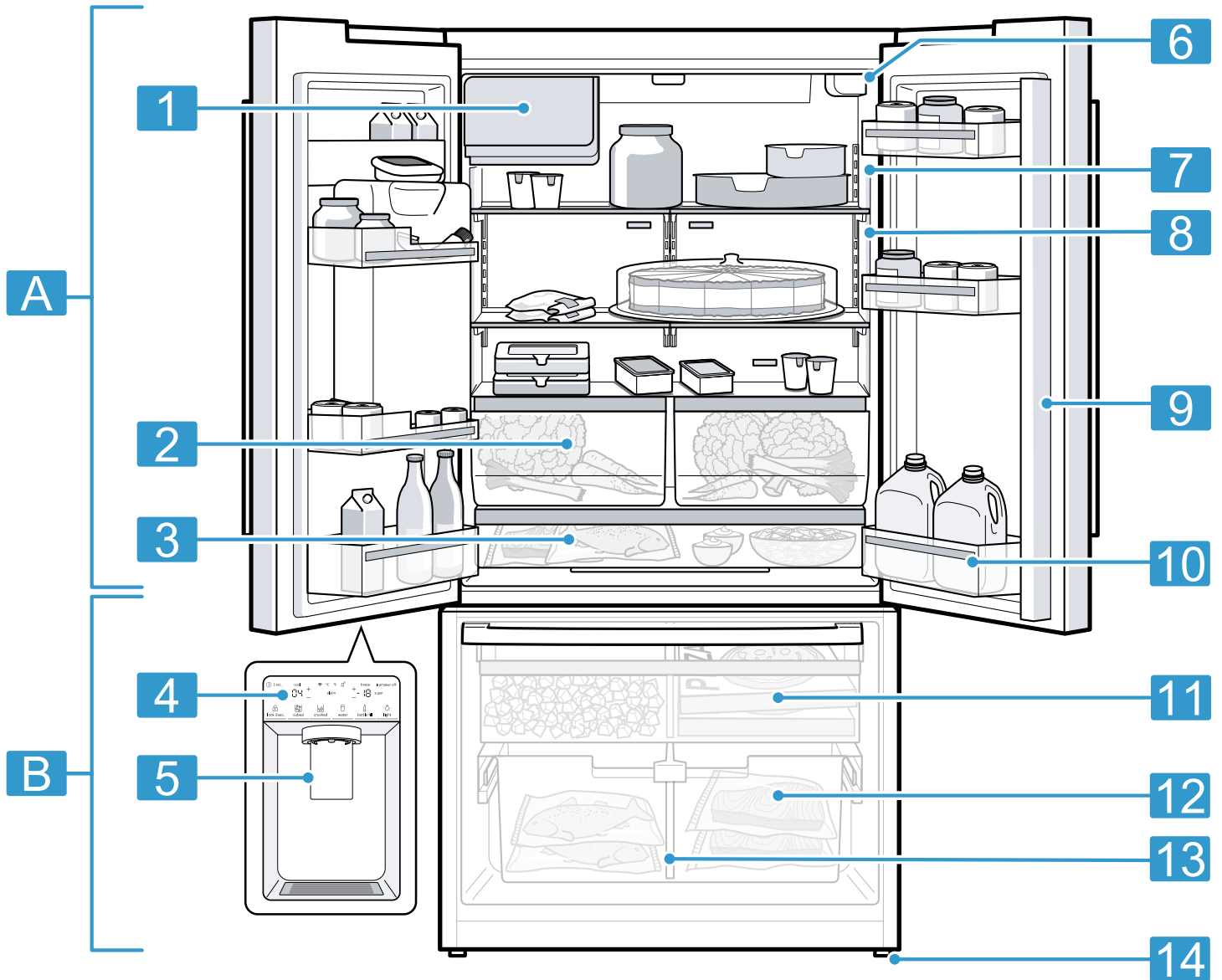
¹ Depending on the appliance specifications

² Not in all countries

5 Familiarizing yourself with your appliance

5.1 Appliance

Here you can find an overview of the parts of your appliance.



1

Your appliance may differ from the diagrams with regard to cosmetic features and dimensions.

A Refrigerator compartment → *Page 16*

B Freezer compartment → *Page 16*

1 Ice storage container

2 Fruit and vegetable container with humidity controller → *Page 11*

3 Storage container → *Page 11*

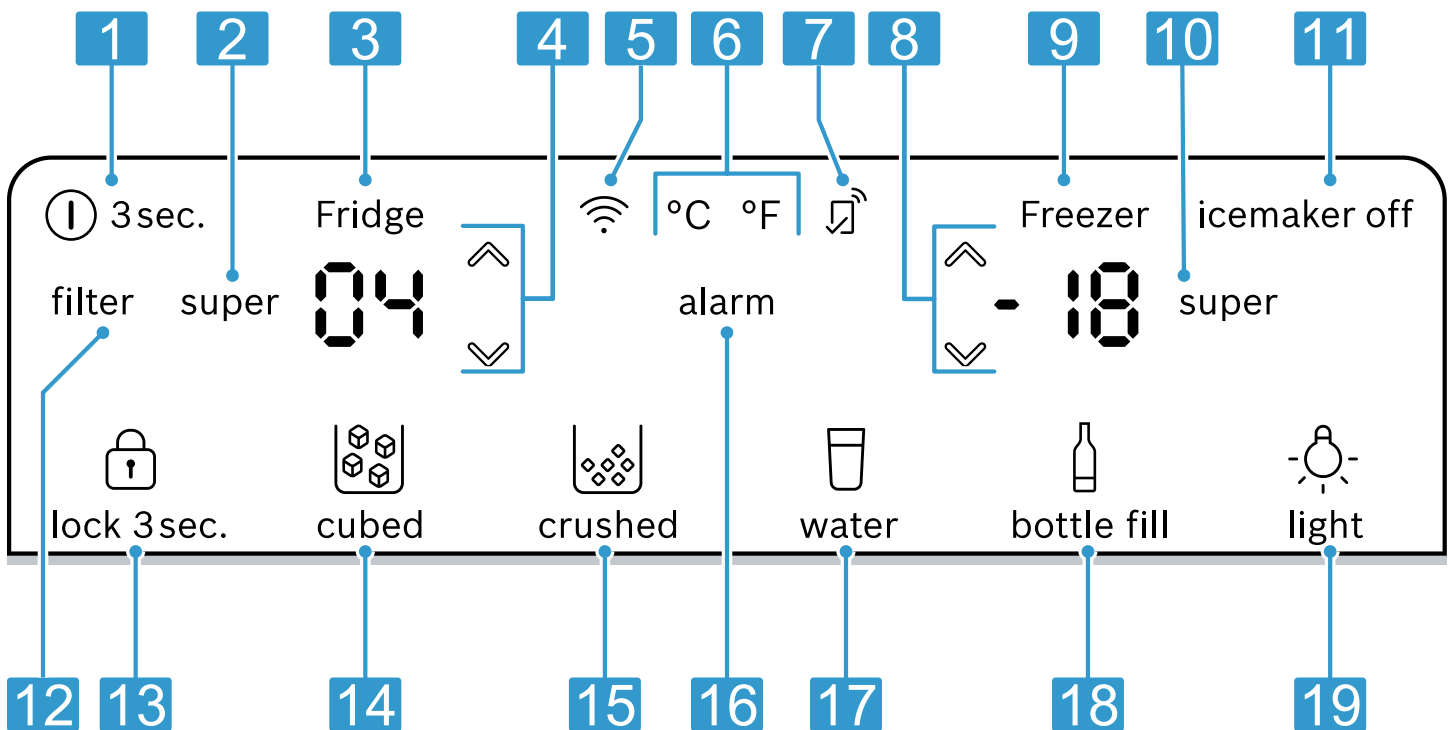
4 Control panel → *Page 10*

5	Ice and water dispenser → Page 18
6	Water filter → Page 17
7	Interior lighting
8	Rating label → Page 29
9	Mullion rail with condensation protection → Page 7

10	Door tray for large bottles → Page 12
11	Frozen food pull-out container → Page 12
12	Suspended frozen food container → Page 12
13	Container divider → Page 12
14	Screw foot

5.2 Control panel

You can use the control panel to configure all functions of your appliance and to obtain information about the operating status.



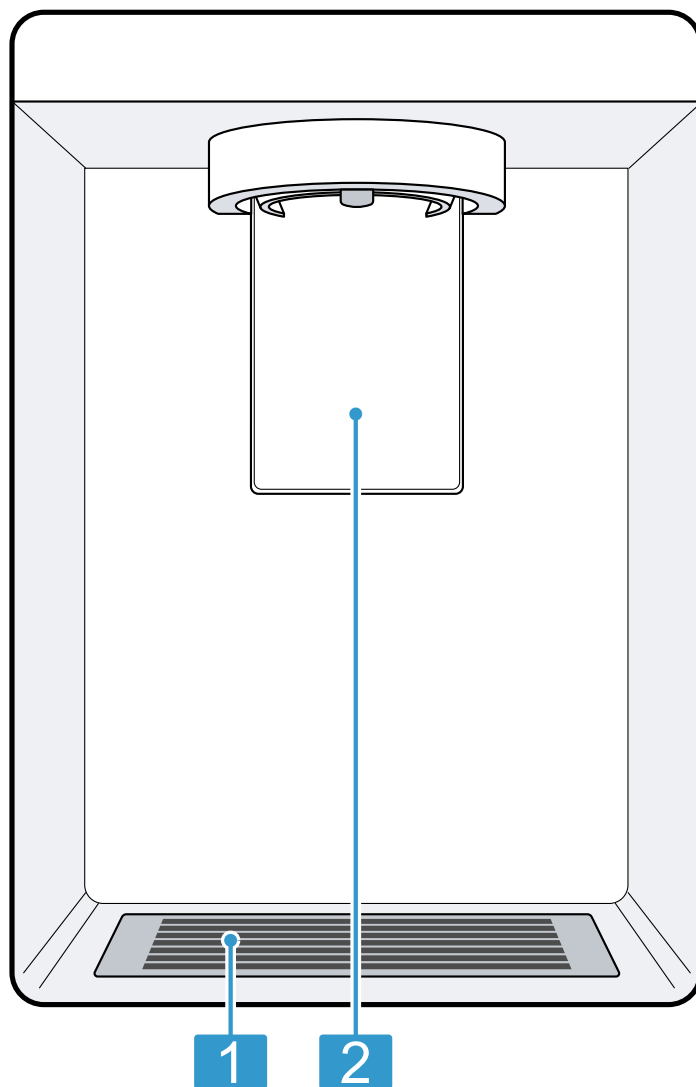
- | | | | |
|-----------|---|-----------|---|
| 1 | ① 3 sec. switches the appliance on or off. | 11 | icemaker off switches ice cube production off or on. |
| 2 | super (Refrigerator compartment) switches Super cooling on or off. | 12 | filter lights up when the filter needs to be replaced. |
| 3 | Displays the set temperature for the refrigerator compartment in °F or °C. | 13 | lock 3 sec. switches the button lock for the control panel on or off. |
| 4 | ↕/↗ (Refrigerator compartment) sets the temperature of the refrigerator compartment. | 14 | 🧊 cubed sets dispensing to ice cubes. |
| 5 | 📶 switches the connection to the WLAN home network (Wi-Fi) on or off. | 15 | 🧊 crushed sets dispensing to crushed ice. |
| 6 | °C/°F converts the temperature unit. | 16 | alarm switches the warning signal off. |
| 7 | 📱 lights up if user-defined settings have been set via the Home Connect® app. You can find more information in the Home Connect® app. | 17 | 🥛 water starts dispensing water. |
| 8 | ↕/↗ (Freezer compartment) sets the temperature of the freezer compartment. | 18 | 🍷 bottle fill sets dispensing to a specific amount of water. |
| 9 | Displays the set temperature for the freezer compartment in °F or °C. | 19 | 💡 light switches the permanent light for the ice and water dispenser on or off. |
| 10 | super (Freezer compartment) switches Super freezing on or off. | | |

5.3 Control panel (submenu)

You can configure further settings in the submenu.

5.4 Controls (ice and water dispenser)

You can find an overview of the parts of your ice and water dispenser here.



3

1 Drip grate → Page 20

2 Dispensing button

6 Features

The features of your appliance depend on the model.

6.1 Shelf

NOTICE:

If fitted at an angle, the hooks on the shelf can scratch the rear panel of the refrigerator compartment.

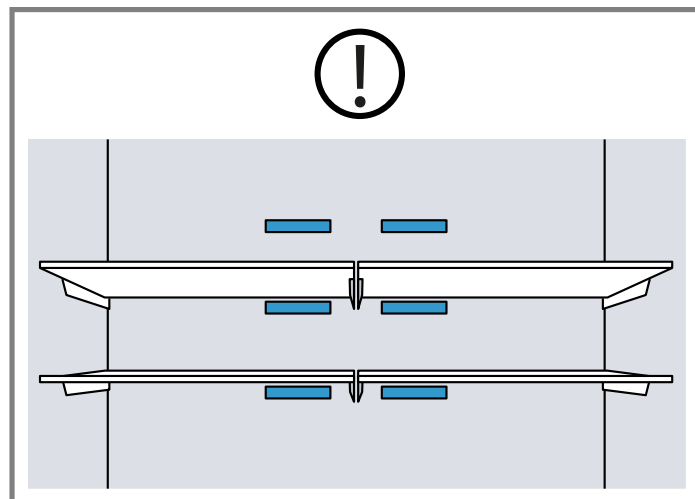
- ▶ Ensure that the shelf is horizontal and that the hooks are properly fitted in place.

To vary the shelf as desired, you can remove the shelf and re-insert it elsewhere.

→ "Removing the shelf", Page 20

Note

To avoid impeding the circulation of air, do not cover the inner ventilation openings.



6.2 Storage container

The temperatures in the storage container are lower than in the refrigerator compartment. Temperatures below 32 °F (0 °C) may occur occasionally.

In order to reach temperatures close to 0 °C (32 °F) in the storage container, set the refrigerator compartment temperature to 2 °C (34 °F). → Page 13

Use the lower temperatures in the storage container to store highly perishable food, e.g. fish, meat and sausages.

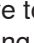
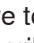
6.3 Fruit and vegetable container with humidity controller

Store fresh fruit and vegetables loose in the fruit and vegetable container.

Cover any chopped fruit and vegetables, or store in airtight packaging.

You can adjust the humidity in the fruit and vegetable container using the humidity controller and a special seal. This allows fresh fruit and vegetables to be stored up to twice as long as with conventional storage.

The air humidity in the fruit and vegetable container can be set according to the type and amount of food to be stored by moving the humidity controller:

- Move to the left for low humidity  low when primarily storing fruit or mixed items, or if the appliance is very full.
- Move to the right for high humidity  high when primarily storing vegetables or when the appliance is not very full.

Condensation may form in the fruit and vegetable container depending on the food and quantity stored. Remove the condensation with a dry cloth and adjust the air humidity to a lower setting using the humidity controller.

To ensure that the quality and aroma are retained, store fruit and vegetables that are sensitive to cold outside of the appliance at temperatures of approximately 46 °F (8 °C) to 54 °F (12 °C), e.g. pineapple, bananas, citrus fruits, cucumbers, zucchinis, bell peppers, tomatoes and potatoes.

6.4 Container divider

⚠ WARNING

Children may climb into the appliance and suffocate.

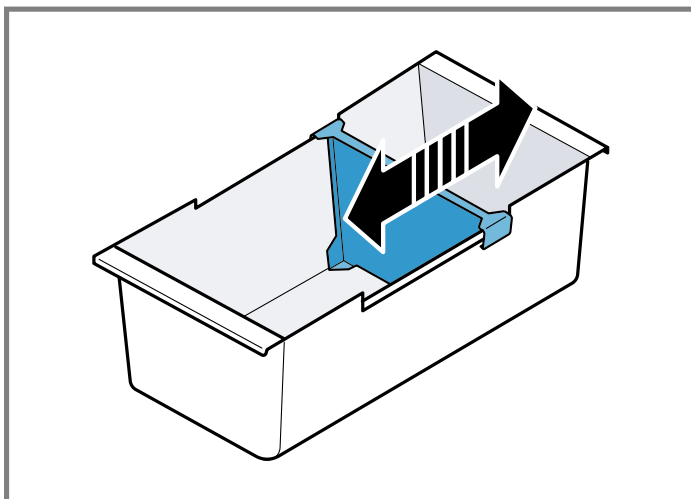
- ▶ Never remove the container divider from the suspended frozen food container.

NOTICE:

The container divider for the suspended frozen food container will be damaged if removed.

- ▶ Never remove the container divider from the suspended frozen food container.

To vary the division of the suspended frozen food container you can move the container divider.



6.5 Frozen food pull-out container

In order to achieve an improved overview and to remove frozen food more quickly, remove the frozen food pull-out container.

6.6 Suspended frozen food container

Store large frozen items in the suspended frozen food container.

6.7 Door tray

To adjust the door tray as desired, you can remove the door tray, and re-insert it elsewhere.

→ "Removing the door tray", Page 20

6.8 Ice storage container

If the ice and water dispenser is switched on, the ice cubes that are produced are automatically stored in the ice storage container.

⚠ WARNING

Reaching into the dispenser opening of the ice storage container can cause cuts.

- ▶ Never reach into the dispenser opening of the ice storage container.

⚠ WARNING

Contact with ice cubes and cold surfaces may cause burns by refrigeration.

- ▶ Avoid prolonged contact between the skin and ice cubes or metal surfaces in the ice storage container.

NOTICE:

The ice and water dispenser may become blocked or damaged by food or objects stored in the ice storage container.

- ▶ Never store food or objects in the ice storage container.
- ▶ Never use the ice storage container to store ice cubes that were not made using the ice cube maker.

Tips

- Remove larger quantities of ice cubes from the ice storage container or store them in the frozen food pull-out container. → Page 21
- Use both hands to pull out the ice storage container as this is heavy when full.

7 Basic Operation

7.1 Switching on the appliance

1. Connect the appliance to the electricity supply.
→ Page 8

Note: If the appliance has been previously switched off using the control panel, press and hold **Ⓛ 3 sec.** for 3 seconds.

- ✓ The control panel shows an animation and is locked.
 - ✓ The appliance is ready to use once the animation has ended and the temperature displays light up.
 - ✓ The motor starts after a delay of up to 5 minutes.
 - ✓ The appliance begins to cool.
 - ✓ A warning tone sounds and the temperature display (freezer compartment) and "alarm" flash because the freezer compartment is still too warm.
2. Switch off the warning tone using **alarm**.
 - ✓ "alarm" goes out as soon as the set temperature has been reached.
 3. Set the desired temperature. → *Page 13*

7.2 Operating tips

- Once you have switched on the appliance, the set temperature is only reached after several hours. Do not put any food in the appliance until the set temperature has been reached.
- The front and side panels of the housing heat up occasionally. This prevents condensation from forming.
- When closing the door, make sure that the door is not blocked by stored items.
- When you close the door, a vacuum may be created. The door is then difficult to open again. Wait a moment until the vacuum is offset.
- The temperature in the appliance varies due to the following conditions:
 - How often the appliance is opened
 - Load capacity
 - Temperature of newly stored food
 - Ambient temperature
 - Direct sunlight

7.3 Switching off the appliance

1. To activate setting mode, touch the upper area of the control panel.
2. Press and hold **Ⓛ 3 sec.** for 3 seconds.

7.4 Setting the temperature unit

You can choose between the temperature unit °F and °C.

1. To activate setting mode, touch the upper area of the control panel.
2. Press °C/°F.

7.5 Setting the temperature

Setting the refrigerator compartment temperature

1. To activate setting mode, touch the upper area of the control panel.
2. Press **↕/↗** (Refrigerator compartment) repeatedly until the temperature display (refrigerator compartment) shows the desired temperature setting.

The recommended temperature in the refrigerator compartment is 37 °F (3 °C).

Setting the freezer compartment temperature

1. To activate setting mode, touch the upper area of the control panel.
2. Press **↕/↗** (Freezer compartment) repeatedly until the temperature display (freezer compartment) shows the desired temperature setting.

The recommended temperature in the freezer compartment is 0 °F (–18 °C).

7.6 Keylock

The button lock prevents the appliance from being operated accidentally or incorrectly while running.

Switching on the keylock

1. To activate setting mode, touch the lower area of the control panel.
2. Press and hold **🔒 lock 3 sec.** for 3 seconds.
 - ✓ **🔒 "lock 3 sec."** lights up.

Switching off the keylock

- ▶ Press and hold **🔒 lock 3 sec.** for 3 seconds.
 - ✓ **🔒 "lock 3 sec."** goes out.

8 Additional functions

Find out which additional functions can be used for your appliance. Additional functions can be set via the Home Connect® app.

8.1 Super cooling

With Super cooling, the refrigerator compartment cools as cold as possible.

Switch on Super cooling before placing large quantities of food in the refrigerator compartment.

Note: When Super cooling is switched on, increased noise may occur.

Switching on Super cooling

1. To activate setting mode, touch the upper area of the control panel.
2. Press **super** (Refrigerator compartment).
 - ✓ "super" (Refrigerator compartment) lights up.

Note: After approximately 6 hours, the appliance switches to normal operation.

Switching off Super cooling

1. To activate setting mode, touch the upper area of the control panel.
2. Press **super**.
 - ✓ The previously set temperature is displayed.

8.2 Super freezing

With Super freezing, the freezer compartment cools as cold as possible.

Switch on Super freezing 1 to 2 hours before placing food weighing 4.4 lbs (2 kg) or more into the freezer compartment.

Use Super freezing to accelerate ice cube production.

Note: When Super freezing is switched on, increased noise may occur.

Switching on Super freezing

1. To activate setting mode, touch the upper area of the control panel.
 2. Press **super** (Freezer compartment).
- ✓ "super" (Freezer compartment) lights up.

Note: After approximately 8 hours, the appliance switches to normal operation.

Switching off Super freezing

1. To activate setting mode, touch the upper area of the control panel.
 2. Press **super** (Freezer compartment).
- ✓ The previously set temperature is displayed.

8.3 Sabbath mode

To ensure that you can also use the appliance on the Sabbath, the Sabbath mode switches off all non-essential functions.

During Sabbath mode, the following functions are switched off:

- Super cooling
- Super freezing
- Alarm
- Water dispensing
- Ice cube production and ice cube dispensing
- Interior lighting
- Audible signals
- Messages on the control panel

Note: The control panel lighting is switched off during Sabbath mode. "super" (Freezer compartment) lights up at a reduced brightness level.

Switching on Sabbath mode

1. Press ##CP0203SYA##.
2. Press .
3. Press ##CP0206SYB###/##CP0206SYA## until "ON" lights up.
4. Press ##CP0203SYB##.

Note: After approx. 74 hours, the appliance switches to normal mode.

Switching off Sabbath mode

1. To activate setting mode, touch the upper area of the control panel.

2. Press and hold **super** (Freezer compartment) for 15 seconds until an audible signal sounds.

8.4 Filter change notification

Every 6 months, the filter change notification will come on. "filter" lights up.

Note: Increased water consumption switches the filter change notification on sooner.

Switching off the filter change notification

1. Replace the water filter.
The bypass cap does not need to be replaced.
 2. Press **filter**.
- ✓ "filter" goes out.
✓ The filter change status is reset.

9 Alarm

9.1 Door alarm

If the appliance door is open for a while, the door alarm switches on.

A warning tone sounds, "alarm" flashes and the set temperature for the affected compartment flashes.

Switching off the door alarm

- ▶ Close the appliance door or press **alarm**.
- ✓ The warning tone is switched off.

9.2 Temperature alarm

If the freezer compartment becomes too warm, the temperature alarm will switch on.

A warning tone sounds, "alarm" flashes and the set temperature for the affected compartment flashes.

CAUTION

During the thawing process, bacteria may multiply and spoil the frozen food.

- ▶ Do not refreeze partly or completely thawed food.
- ▶ Refreeze food only after cooking.
- ▶ The frozen items should no longer be stored for the maximum storage period.

The temperature alarm can be switched on in the following cases:

- The appliance is switched on.
Do not store any food until the appliance has reached the set temperature.
- Large quantities of fresh food are being placed inside.
Switch on Super freezing before placing large quantities of food in the appliance.
- The freezer compartment door is open for too long.
Check whether the frozen food has defrosted or thawed.

Switching off the temperature alarm

- ▶ Press **alarm**.
- ✓ The warning tone is switched off.
- ✓ The temperature display (freezer compartment) briefly indicates the warmest temperature reached in the freezer compartment. The temperature display (freezer compartment) then indicates the set temperature again.
- ✓ From this time on, the warmest temperature is recalculated and saved.
- ✓ "alarm" lights up until the set temperature is reached again.

10 Home Connect®

This appliance is network-capable. Connecting your appliance to a mobile device lets you control its functions via the Home Connect® app.

The Home Connect® services are not available in every country. The availability of the Home Connect® function depends on the availability of Home Connect® services in your country. You can find information on this at: www.home-connect.com.

To be able to use Home Connect®, you must first set up the connection to the WLAN home network (Wi-Fi ¹) and to the Home Connect® app.

After switching on the appliance, wait at least 3 minutes until internal device initialization is complete. Only then should you set up Home Connect®.

The Home Connect® app guides you through the entire registration process. Follow the instructions in the Home Connect® app to implement the settings.

Tip: Follow the instructions in the Home Connect® app as well.

Notes

- Also note the safety information in this instruction manual and ensure that it is also observed when operating the appliance using the Home Connect® app. → *"Safety", Page 4*
- Operating the appliance on the appliance itself always takes priority. It is not possible to operate the appliance using the Home Connect® app during this time.

10.1 Setting up the Home Connect® app

1. Install the Home Connect® app on your mobile device.
2. Start the Home Connect® app and set up access for Home Connect®.

The Home Connect® app guides you through the entire registration process.

10.2 Setting up Home Connect®

Requirement: The appliance receives signals from the WLAN home network (Wi-Fi) at its installation location.

1. Scan the following QR code.



You can install the Home Connect® app and connect your appliance via the QR code.

2. Follow the instructions in the Home Connect® app.

10.3 Switching on the connection to the WLAN home network (Wi-Fi)

- ▶ Press .

10.4 Switching off the connection to the WLAN home network (Wi-Fi)

- ▶ Press .



10.5 Installing updates for the Home Connect® software

Note: If an update of the Home Connect® software is available, a message appears in the Home Connect® app.

- ▶ To install the update for the Home Connect® software, follow the instructions in the Home Connect® app.
- ✓ The control panel is partially locked during the installation.

10.6 Resetting the Home Connect® settings

If your appliance experiences connection problems with the WLAN home network (Wi-Fi) or your appliance wants to log into a different WLAN home network (Wi-Fi), you can reset the Home Connect® settings.

- ▶ Press and hold  for 6 seconds until  goes out.
- ✓ The Home Connect® settings have been reset.

10.7 Remote Diagnostics

Customer Service can access your appliance via Remote Diagnostics if you ask them to do so, provided your appliance is connected to the Home Connect® server and Remote Diagnostics is available for your appliance and

¹ Wi-Fi is a registered trade mark of the Wi-Fi Alliance.

country. For more information on Remote Diagnostics' availability in your country, visit the Service/Support section of your local website: www.home-connect.com. Please be aware that while Remote Diagnostics can assist in troubleshooting select issues, there may be instances where an on-site service visit is required if the problem cannot be resolved remotely.

10.8 Data Protection

Please read this information on data protection. The first time your appliance is registered on a home network connected to the Internet, your appliance transmits the following types of data to the Home Connect® server (initial registration):

- Unique appliance identification (consisting of appliance codes as well as the MAC address of the installed Wi-Fi communication module).
- Security certificate of the Wi-Fi communication module (to ensure a secure data connection).
- The current software and hardware version of your home appliance.
- Status of any previous reset to factory settings.

This initial registration prepares the Home Connect® functions for use and is only required when you want to use the Home Connect® functions for the first time.

Note: Please note that the Home Connect® functions can only be used in conjunction with the Home Connect® app. Information on data protection can be retrieved in the Home Connect® app.

11 Refrigerator compartment

You can keep dairy products, eggs, prepared meals, pastries, open preserves and hard cheese in the refrigerator compartment.

The temperature can be set from 33 °F (1 °C) to 43 °F (6 °C).

The refrigerator compartment can also be used to store highly perishable foods in the short to medium term. The lower the selected temperature, the longer the food remains fresh.

11.1 Tips for storing food in the refrigerator compartment

- Only store food when fresh and undamaged.
- Store food covered or in air-tight packaging.
- To avoid impeding the circulation of air and to prevent food from freezing, do not place food in front of the inner ventilation openings or in direct contact with the back wall.
- Allow hot food and drinks to cool down first before placing in the appliance.
- Observe the best-before date or expiration date specified by the manufacturer.

11.2 Chill zones in the refrigerator compartment

The air circulation in the refrigerator compartment creates different chill zones.

Coldest zone

The coldest zone is in the storage container.

Tip: Store highly perishable food such as fish, sausages and meat in the coldest zone.

Warmest zone

The warmest zone is at the very top of the door.

Tip: Store groceries that do not spoil easily in the warmest zone, e.g. hard cheese and butter. Cheese can then continue to release its flavor and the butter will still be easy to spread.

12 Freezer compartment

You can store frozen food, freeze food and make ice cubes in the freezer compartment.

The temperature can be set from 6 °F (-14 °C) to -7 °F (-22 °C).

Long-term storage of food should be at 0 °F (-18 °C) or lower.

The freezer compartment can be used to store perishable foods long-term. The low temperatures slow down or stop the spoilage.

12.1 Tips for storing food in the freezer compartment

- Store food in air-tight packaging.
- Do not bring food which is to be frozen into contact with frozen food.
- Distribute the food over a wide area in the suspended frozen food container.

12.2 Tips for freezing fresh food

- Freeze fresh and undamaged food only.
- Freeze food in portions.
- Cooked food is more suitable for freezing than food that can be eaten raw.
- Vegetables: Wash, chop up and blanch before freezing.
- Fruit: Wash, pit and perhaps peel, possibly add sugar or ascorbic acid solution.
- Food that is suitable for freezing includes baked items, fish and seafood, meat, game, poultry, eggs without shells, cheese, butter and curd cheese, prepared meals and leftovers.
- Food that is unsuitable for freezing includes lettuce, radishes, eggs in shells, grapes, raw apples and pears, yogurt, sour cream, crème fraîche and mayonnaise.

Packing frozen food

If you select suitable packaging material and the correct type of packaging, you can determine the product quality and prevent freezer burn.

1. Place the food in the packaging.
2. Squeeze out the air.
3. Pack food airtight to prevent it from losing flavor or drying out.
4. Label the packaging with the contents and the date of freezing.

12.3 Defrosting methods for frozen food

⚠ CAUTION

During the thawing process, bacteria may multiply and spoil the frozen food.

- ▶ Do not refreeze partly or completely thawed food.
- ▶ Refreeze food only after cooking.
- ▶ The frozen items should no longer be stored for the maximum storage period.
- Defrost animal-based food, such as fish, meat, cheese, curd cheese, in the refrigerator compartment.
- Defrost bread at room temperature.
- Prepare food for immediate consumption in the microwave, in the oven, or on the cooktop.

13 Water system

Your appliance is equipped with water-carrying components.

The water system only works if a water filter or a bypass cap is installed.

Switch off ice cube production before disconnecting the appliance from the drinking water connection.

13.1 Water filter

The water filter filters particles and the taste of chlorine out of the water.

The water filter reduces further contamination, e.g. from chloramines, lead and pharmaceutical products.

Note: The water filter does not filter bacteria or microbes out of the water.

Change the water filter:

- Every 6 months.
- If "filter" lights up.
- If the water output has visibly reduced.
- If ice cube production has visibly reduced.

Tips

- A new water filter can be purchased from our customer service, your dealer or our website.
- If you do not want to use a water filter in your appliance or an external water filter system is installed, you can permanently replace the water filter with a bypass cap. The bypass cap filters only large particles out of the water and can be cleaned as required.

A bypass cap can be purchased from customer service or our website.

Filter change notification

Every 6 months, the filter change notification will come on. "filter" lights up.

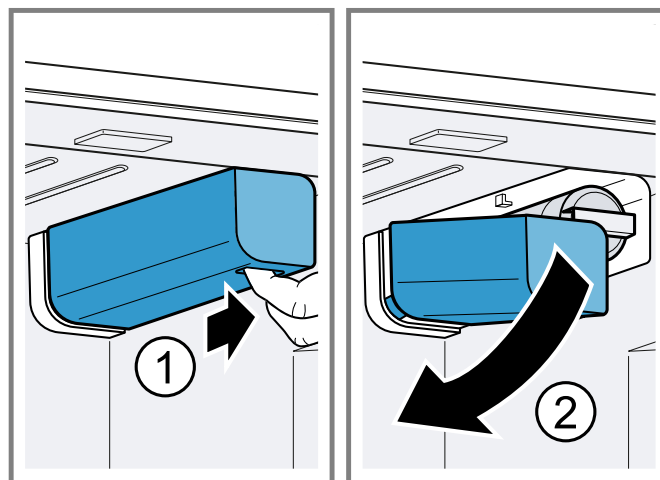
Note: Increased water consumption switches the filter change notification on sooner.

Switching off the filter change notification

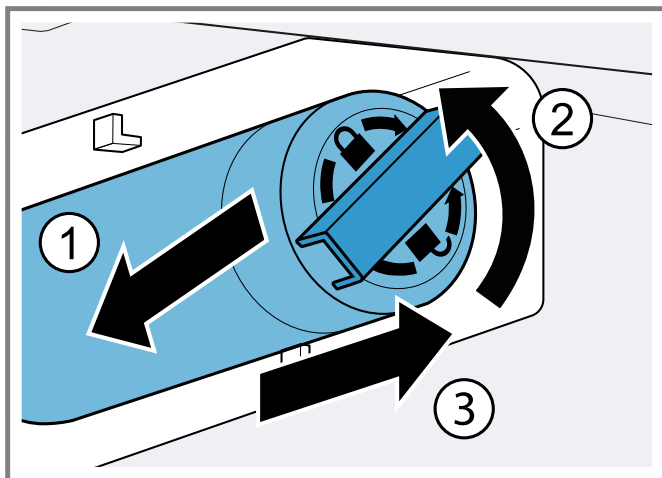
1. Replace the water filter.
 - The bypass cap does not need to be replaced.
2. Press **filter**.
 - ✓ "filter" goes out.
 - ✓ The filter change status is reset.

Changing the water filter or replacing it with a bypass cap

1. Reach into the recess below the filter cover, pull it forward slightly ① and then down to the left ②.



2. Pull the water filter down to the left ①, turn it counterclockwise by 90° ② and remove it ③.
 - Remove the water filter with care as it is under pressure.



Note: When removing it, a small amount of water may drip out of the water filter. Remove the drips of water with a dry cloth.

Tip: You can dispose of the old water filter with your household garbage.

3. Insert the new water filter or the bypass cap all the way into the filter opening, turn it 90° clockwise all the way and fold it up to the right.
4. Move the filter cover up to the right and slide it back all the way.
5. Discard the ice cubes produced during the first 24 hours, and dispense water for 5 minutes and discard.

13.2 Ice and water dispenser

Use the ice and water dispenser to dispense ice cubes, crushed ice, and chilled water.

To achieve maximum ice cube production of up to 12 lbs (5.4 kg) within a period of 24 hours:

- Set the freezer compartment to the coldest temperature.
- Empty the ice storage container every 3 hours.

The quantity of ice cubes produced can vary due to the following conditions:

- How often the appliance is opened
- Amount of food stored
- Ambient temperature and ambient humidity
- Water pressure and condition of the water filter

Note: The ice and water dispenser is locked when the appliance door is open.

Using the ice and water dispenser

Notes

- Ice cube production starts as soon as the appliance is switched on and the freezer compartment has reached the set temperature.
- As soon as the freezer compartment reaches the set temperature, the first batch of ice cubes will be ready in approximately 4 hours.

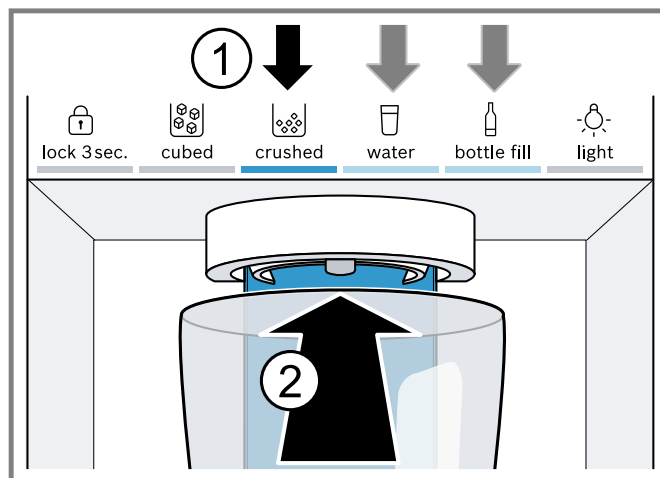
- Once the appliance has been connected or a new water filter has been installed, there will be air in the water system.

Requirement: The appliance is connected to the drinking water connection.

1. Keep dispensing water until it contains no more air bubbles.
 - Remove any splashes of water with a dry cloth.
2. For hygiene reasons, dispense water for 5 minutes and discard.
3. For hygiene reasons, discard the ice cubes produced within the first 24 hours.

Dispensing ice or water

1. To activate setting mode, touch the lower area of the control panel.
2. Press the desired selection option ① and press the glass against the dispensing button ②.
 - Flush the water system if water has not been drawn for 5 days. To flush the water system, dispense 2 liters of water.



Tip: Hold the glass directly under the dispenser opening.

Notes



- After a while of continuous dispensing, the ice or water stops being dispensed. Wait a few seconds before dispensing ice or water again.
- After ice or water has been dispensed several times consecutively, it stops being dispensed. Wait a few minutes before dispensing ice or water again.
- When changing from cubed to crushed, a few ice cubes may be released the next time you dispense.
- When changing from crushed to cubed, a small amount of crushed ice may be released the next time you dispense.

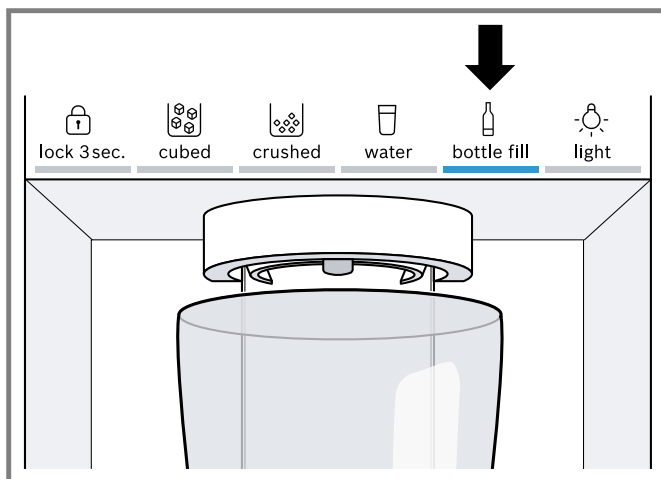
Bottle fill option

You can dispense a specific amount of water with the bottle fill option.

Note: The factory-set amount of water is approx. 500 ml.


Filling a bottle


1. Press  **bottle fill**.
2. Place a bottle or jug under the dispenser opening.
3. Press  **bottle fill**.



- ✓ The set amount of water is dispensed.




Tips

- To stop dispensing early, press any touch field on the control panel.
- To start dispensing again, press  **bottle fill**.

Note: If you do not fill a bottle for some time, the selection option changes to  **water**.

Setting the amount of water for the bottle fill option

Note: The maximum fill time is 60 seconds.


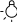
1. Press  **bottle fill**.
 2. Place a bottle or jug under the dispenser opening.
 3. Select one of the options:
 - Press and hold  **bottle fill** at the same time until the desired amount of water is dispensed.
 - Press  (Freezer compartment) repeatedly until the temperature display (freezer compartment) shows the desired water dispensing time in seconds.
- ✓ The new amount of water is saved and will be dispensed for the bottle fill option.

Permanent light



If you do not dispense ice or water for some time, the light switches itself off.

You can permanently switch on the light on the ice and water dispenser.

Switching on the permanent light

1. To activate setting mode, touch the lower area of the control panel.
 2. Press  **light**.
- ✓  **light** lights up.

Switching off the permanent light

1. To activate setting mode, touch the lower area of the control panel.
 2. Press  **light**.
- ✓  **light** goes out.

Switching on ice cube production

1. To activate setting mode, touch the upper area of the control panel.
 2. Press **icemaker off**.
- ✓ Ice cube production starts and the selection option that was last used lights up.

Switching off ice cube production

1. To activate setting mode, touch the upper area of the control panel.
 2. Press **icemaker off**.
- ✓ The ice dispenser and ice cube production stop.

14 Defrosting

14.1 Defrosting in the refrigerator compartment

The refrigerator compartment in your appliance defrosts automatically.

14.2 Defrosting in the freezer compartment

The fully automatic NoFrost system ensures that the freezer compartment remains frost-free. Defrosting is not required.

15 Cleaning and maintenance

To keep your appliance working efficiently for a long time, it is important to clean and maintain it carefully. Customer Service must clean inaccessible points. Cleaning by Customer Service can give rise to costs.

15.1 Preparing the appliance for cleaning

1. Switch off the appliance. → *Page 13*
2. Disconnect the appliance from the power supply.
 - Unplug the appliance from the power source or switch off the circuit breaker in the fuse box.
3. Take out all of the food and store it in a cool place.
 - Place ice packs (if available) onto the food.
4. Remove all fittings and accessories from the appliance.
 - *Page 20*
5. Remove the telescopic rails. → *Page 22*
6. Remove the shelf above the fruit and vegetable container. → *Page 23*
7. Remove the shelf above the storage container.
 - *Page 23*
8. Remove the fruit and vegetable container cover.
 - *Page 23*

15.2 Cleaning the appliance

⚠ WARNING

Moisture intrusion may cause an electric shock.

- ▶ Do not use any steam cleaners or high-pressure cleaners to clean the appliance.

NOTICE:

Unsuitable cleaning agents may damage the surfaces of the appliance.

- ▶ Do not use hard scouring pads or cleaning sponges.
- ▶ Do not use strong or abrasive cleaning agents.
- ▶ Do not use cleaning agents with a high alcohol content.
- ▶ Do not use stainless-steel cleaning agents on the outside of the appliance.

If you clean fittings and accessories in the dishwasher, this may cause them to become deformed or discolor.

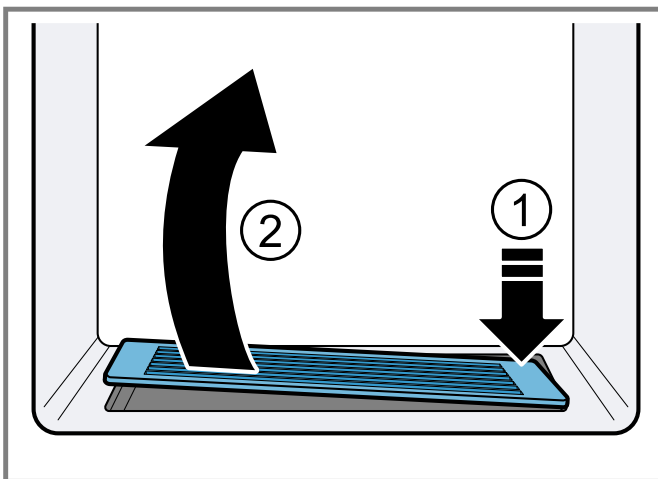
- ▶ Never clean fittings and accessories in the dishwasher.

1. Prepare the appliance for cleaning. → *Page 19*
2. Clean the outside of the appliance, the inside of the appliance, the fittings, the accessories and the door seals with a dish cloth, lukewarm water and a little pH-neutral dish soap.
3. Dry thoroughly with a soft, dry cloth.
4. Insert the fittings and install the removable appliance parts.
5. Connect the appliance to the electricity supply. → *Page 8*
6. Put the food into the appliance.

15.3 Cleaning the drip tray

Regularly check the drip tray for water spillages and clean as necessary.

1. Press down on the top right corner of the drip grate ① and remove it ②.



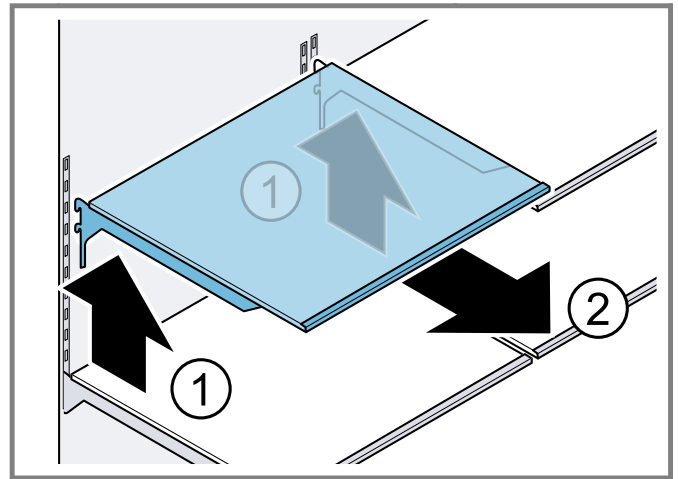
2. Wipe out the drip tray with a sponge or absorbent cloth.

15.4 Removing the fittings

If you want to clean the fittings thoroughly, remove these from your appliance.

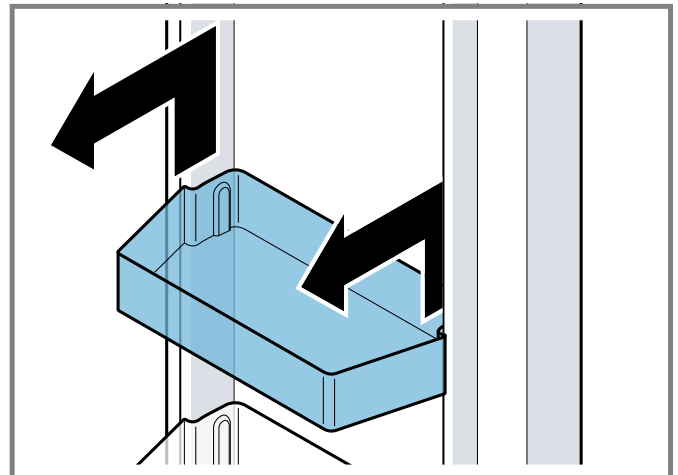
Removing the shelf

- ▶ Lift the shelf ① and remove it ②.



Removing the door tray

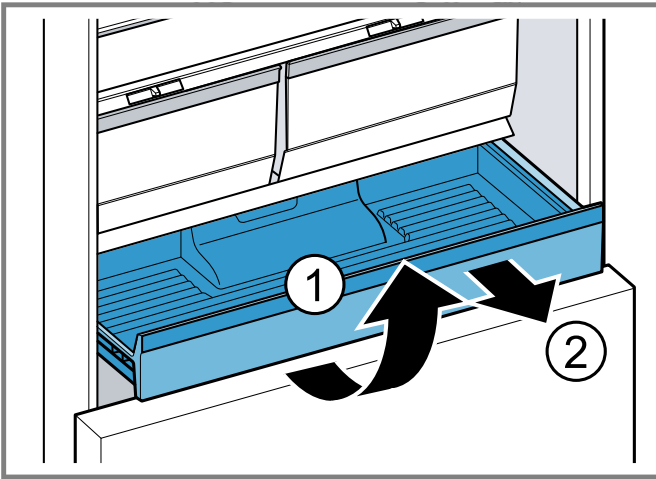
- ▶ Lift the door tray and remove it.



Removing the storage container

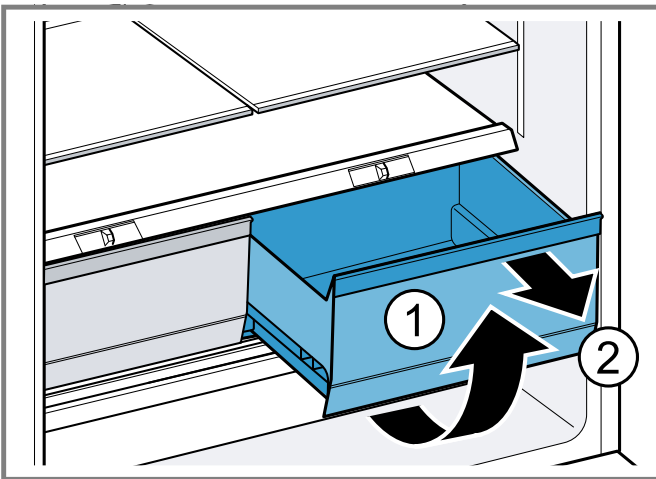
1. Pull the storage container out all the way.

2. Lift the storage container at the front ① and remove it ②.



Removing the fruit and vegetable container

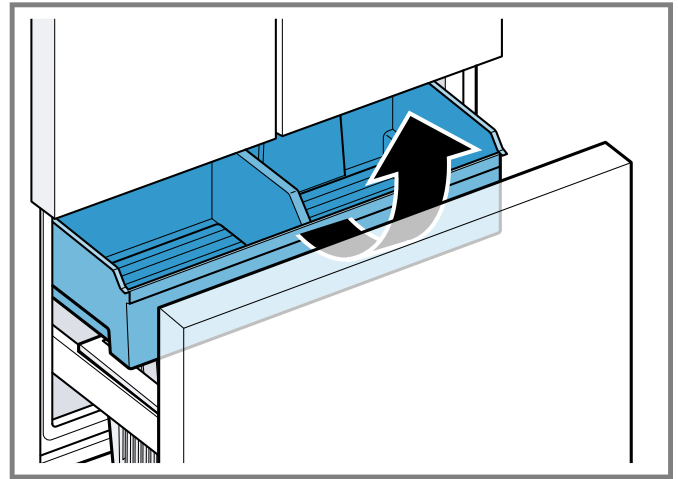
1. Pull out the fruit and vegetable container as far as it will go.
2. Lift the fruit and vegetable container at the front ① and remove it ②.



Removing the frozen food pull-out container

1. Pull out the frozen food pull-out container as far as it will go.

2. Lift the frozen food pull-out container at the front and remove it.

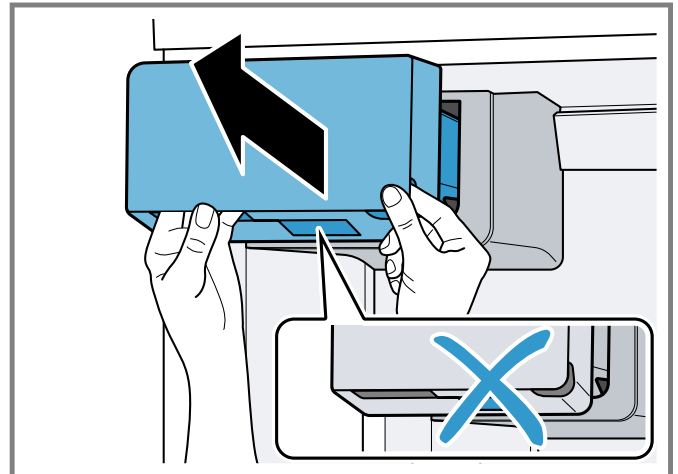


Removing the ice storage container

⚠ WARNING

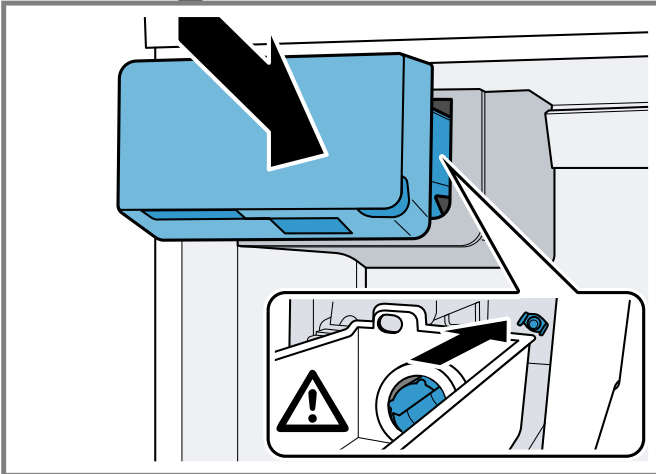
Reaching into the dispenser opening of the ice storage container can cause cuts.

- ▶ Never reach into the dispenser opening of the ice storage container.
- ▶ Reach into the left and right recesses below the ice storage container and pull it out toward the front.



Tips

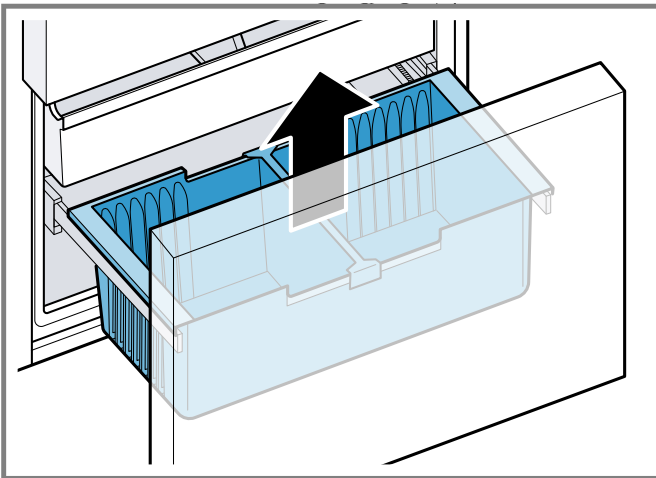
- If the ice storage container cannot be reinserted, turn the auger on the ice storage container and try again.



- If, during installing, the ice storage container is blocked, remove excess ice cubes from the ice storage container opening.

Removing the suspended frozen food container

- ▶ Lift out the suspended frozen food container.



15.5 Removing the appliance components

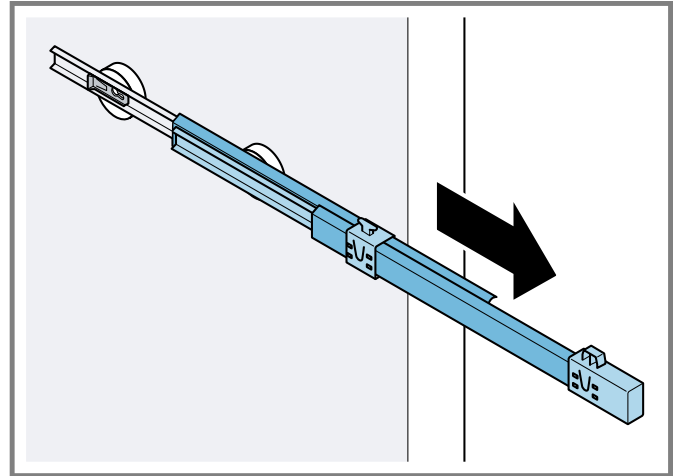
If you want to clean your appliance thoroughly, you can remove certain components from your appliance.

Telescopic rails

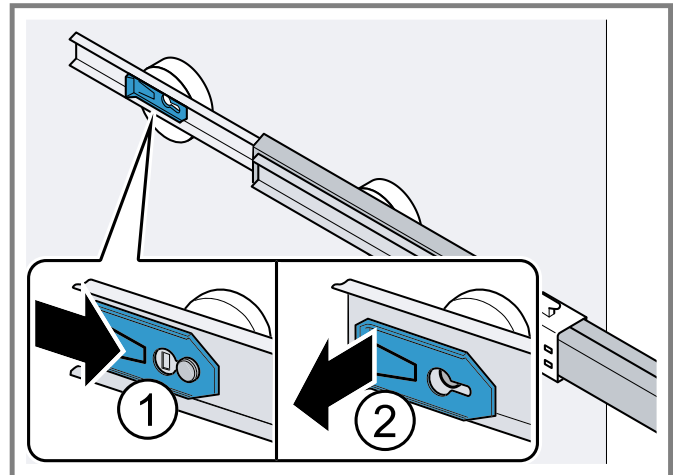
You can remove the telescopic rails in order to clean them thoroughly.

Removing the telescopic rails

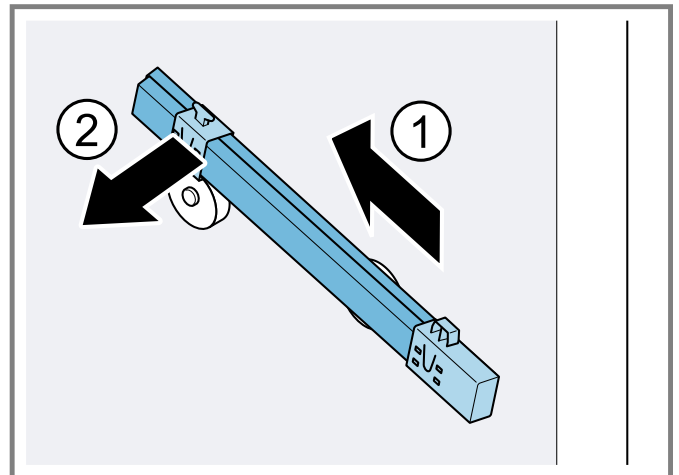
1. Pull out the telescopic rail.



2. Move the lock in the direction of the arrow ① and loosen the pin from the rear ②.

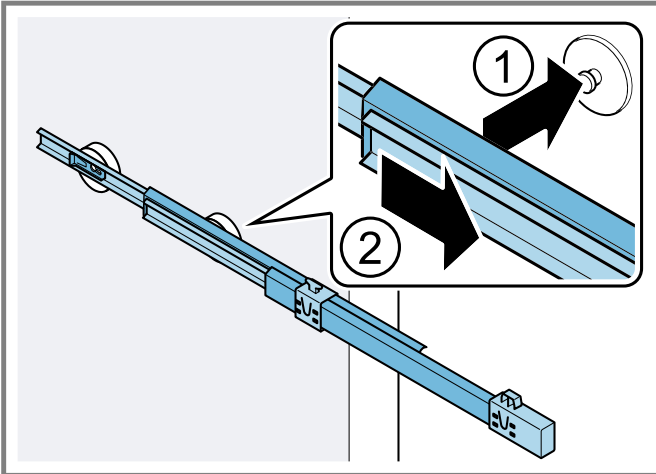


3. Push in the telescopic rail.
4. Push the telescopic rail backwards above the rear pin ① and disengage ②.

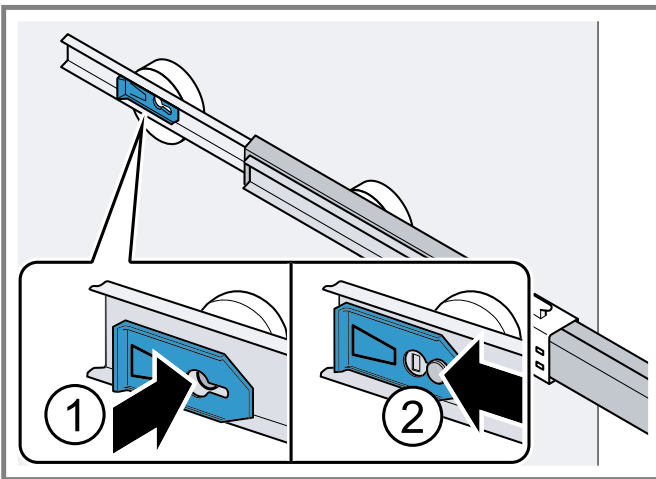


Installing the telescopic rails

1. Place the extended telescopic rail on the front pin ① and pull it forwards slightly to lock in place ②.

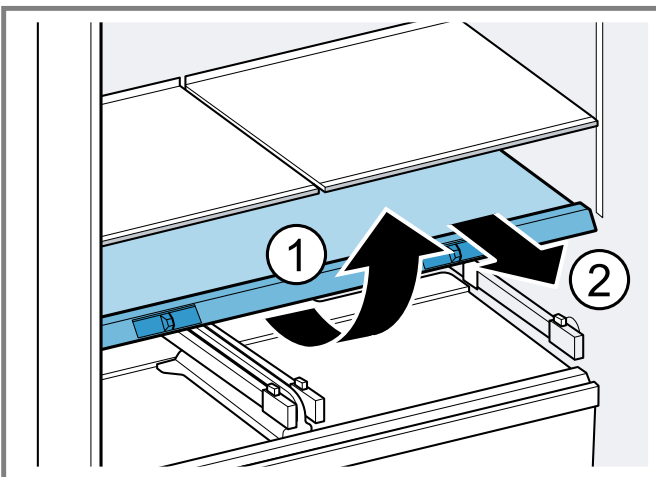


2. Place the telescopic rail on the rear pin ① and push the locking mechanism back ②.



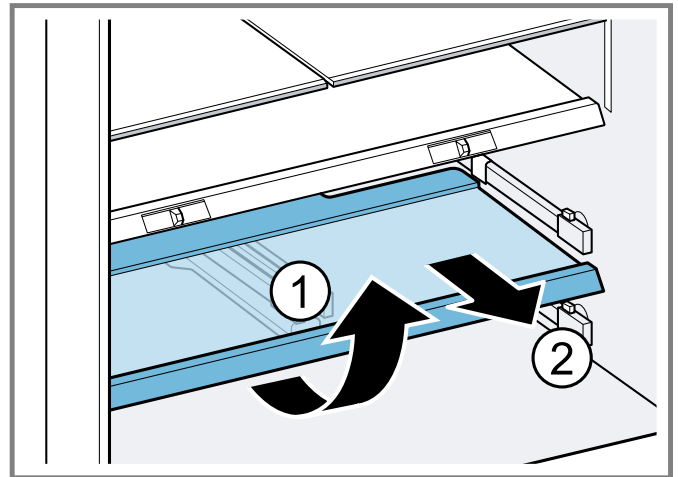
Removing the shelf above the fruit and vegetable container

1. Pull the fruit and vegetable container out all the way.
2. Lift the shelf above the fruit and vegetable container at the front ① and remove it ②.



Removing the shelf above the storage container

1. Pull the storage container out all the way.
2. Lift the shelf above the storage container at the front ① and remove it ②.

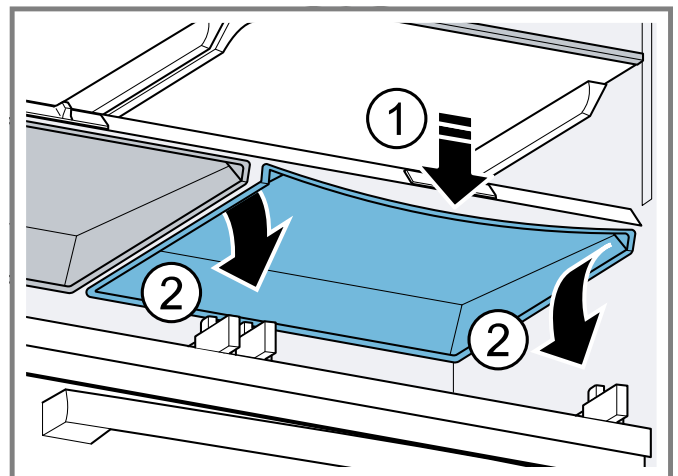


Fruit and vegetable container cover

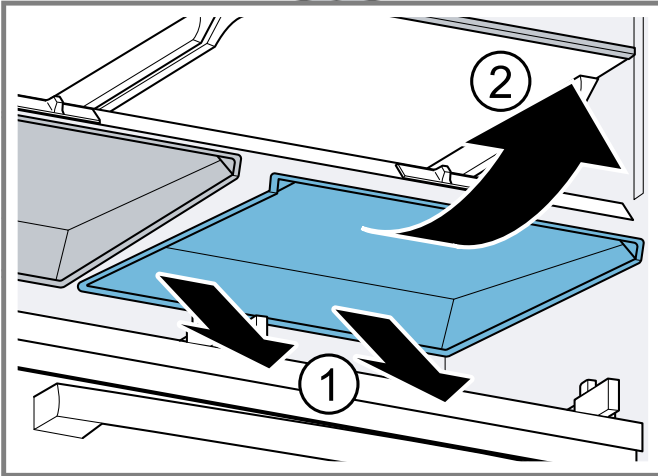
To clean the fruit and vegetable container cover thoroughly, you can remove it.

Removing the fruit and vegetable container cover

1. Remove the fruit and vegetable container. → [Page 21](#)
2. Bend the fruit and vegetable container cover upwards slightly at the middle ①, then pull out one side and then the other towards the front ②.

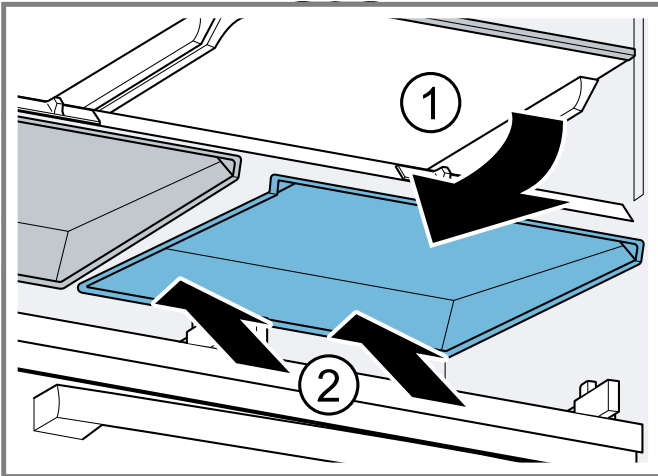


3. Pull out the fruit and vegetable container cover at the rear ① and remove it ②.

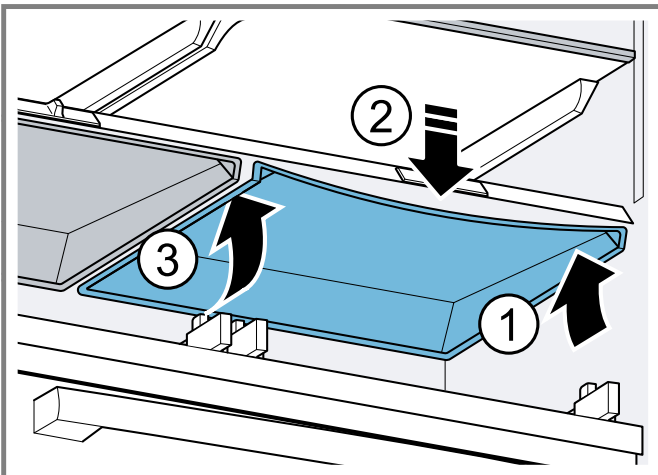


Fitting the fruit and vegetable container cover

1. Slide the fruit and vegetable container cover symmetrically toward the rear ① and clip it into place ②.



2. Clip in one side of the fruit and vegetable container cover at the front ①, then bend it downward slightly at the middle ②, and then clip in the other side at the front ③.



If the fruit and vegetable container cover is still bent, move the humidity regulator to and fro until the fruit and vegetable container cover clips into place.

16 Troubleshooting

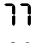
You can eliminate minor issues on your appliance yourself. Please read the information on eliminating issues before contacting Customer Service. This may avoid unnecessary repair costs.

WARNING

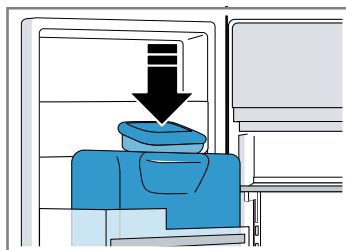
To avoid risk of injury from improper repairs, observe the following.

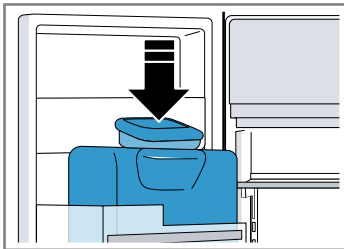
- ▶ Only qualified technicians or authorized service providers should perform repairs.

- ▶ Only original spare parts may be used to repair the appliance.
- ▶ If the power cord or the appliance power cable of this appliance becomes damaged, it must be replaced with a special power cord or special appliance power cable, which is available from the manufacturer or the manufacturer's Customer Service.

Issue	Cause and troubleshooting
The appliance is not cooling, the displays and lighting are lit.	<p>Showroom mode is switched on.</p> <ol style="list-style-type: none"> 1. Disconnect the appliance from the power supply. Unplug the power plug or switch off the circuit breaker in the fuse box. 2. Reconnect the appliance after 5 minutes. 3. Wait at least 30 seconds and then press ##CP0434SYB## for 15 seconds. ✓  appears briefly on the control panel. 4. After a short time, check whether your appliance is cooling.
The LED lighting does not work.	<p>Various causes are possible.</p> <ul style="list-style-type: none"> ▶ Call customer service. → "Customer Service", Page 29
The refrigeration unit is switching on more frequently and for longer.	<p>The appliance has been opened frequently.</p> <ul style="list-style-type: none"> ▶ Do not open appliance door unnecessarily. <hr/> <p>External ventilation openings are covered up.</p> <ul style="list-style-type: none"> ▶ Remove any obstructions from in front of the external ventilation openings. <hr/> <p>Not a fault. Modern refrigeration machines switch on more frequently and have different power levels to cool more efficiently.</p> <ul style="list-style-type: none"> ▶ Remove any obstructions from in front of the external ventilation openings. ▶ Install the appliance as far away as possible from heating elements, cookers and other heat sources. Avoid prolonged exposure of the appliance to direct sunlight. ▶ Only open the appliance door as briefly as necessary. ▶ Allow hot food and drinks to cool down first before storing in the appliance.
A layer of frost forms on the back wall of the refrigerator compartment.	<p>Not a fault. Modern refrigeration machines ensure a more even temperature in the refrigerator compartment. The back wall of the refrigerator compartment is defrosted automatically at regular intervals.</p> <ul style="list-style-type: none"> ▶ Only open the appliance door as briefly as necessary. ▶ Pack the food airtight or cover it. ▶ Allow hot food and drinks to cool down first before storing in the appliance. ▶ Always leave some space between the food and the interior walls.
Home Connect® is not working properly.	<p>Various causes are possible.</p> <ul style="list-style-type: none"> ▶ Go to www.home-connect.com.
"E" or "d" appears on the temperature display.	<p>The electronics have detected a fault.</p> <ol style="list-style-type: none"> 1. Switch off the appliance. → Page 13 2. Disconnect the appliance from the power supply. Unplug the power plug or switch off the circuit breaker in the fuse box. 3. Reconnect the appliance after 5 minutes. 4. If the message still appears on the display, call Customer Service. → "Customer Service", Page 29

Issue	Cause and troubleshooting
<p>A warning signal sounds and "alarm" flashes.</p> <p>The door alarm is switched on.</p>	<p>The appliance door is open.</p> <ul style="list-style-type: none"> ▶ Close the appliance door.
<p>A warning tone sounds and the temperature display (freezer compartment) and "alarm" flash.</p> <p>The temperature alarm is switched on.</p>	<p>Various causes are possible.</p> <ol style="list-style-type: none"> 1. Press alarm. <ul style="list-style-type: none"> ✓ The alarm is switched off. <ol style="list-style-type: none"> 2. After several hours, check whether the set freezer compartment temperature has been reached again. <hr/> <p>External ventilation openings are covered up.</p> <ul style="list-style-type: none"> ▶ Remove any obstructions from in front of the external ventilation openings. <hr/> <p>Large quantities of fresh food have been placed inside.</p> <ul style="list-style-type: none"> ▶ Switch on Super freezing before placing a larger amount of food in the appliance. → "Switching on Super freezing", Page 14
<p>All temperature displays and "alarm" light up.</p>	<p>A sensor is defective.</p> <ul style="list-style-type: none"> ▶ Call customer service. → "Customer Service", Page 29
<p>The temperature differs greatly from the setting.</p>	<p>Various causes are possible.</p> <ol style="list-style-type: none"> 1. Switch off the appliance. → Page 13 2. Switch the appliance back on after approximately 5 minutes. → Page 12 <ul style="list-style-type: none"> – If the temperature is too warm, check the temperature again after a couple of hours. – If the temperature is too cold, check the temperature again on the following day.
<p>Water is leaking out of the appliance.</p>	<p>The water connection or water hose is not leak-tight.</p> <ul style="list-style-type: none"> ▶ Check if the water connections are fastened firmly and the water hose is undamaged. <p>If necessary, replace the water hose.</p> <hr/> <p>The drip tray is overflowing.</p> <ul style="list-style-type: none"> ▶ Clean the drip tray. → Page 20
<p>Water output is reduced.</p>	<p>Low water pressure.</p> <ul style="list-style-type: none"> ▶ Check the pressure of the water supply system or the external water filter system, e.g. reverse osmosis system. <p>Connect the appliance only to a water connection with sufficient water pressure. → Page 7</p> <hr/> <p>The water filter is blocked.</p> <ul style="list-style-type: none"> ▶ Change the water filter. → Page 17
<p>Water is dripping from the ice and water dispenser.</p>	<p>Air is in the water system.</p> <ul style="list-style-type: none"> ▶ Keep dispensing water until it contains no more air. <hr/> <p>Ice residue is melting in the ice chute.</p> <ul style="list-style-type: none"> ▶ Remove the ice residue from the ice chute, for example using a wooden spoon.



Issue	Cause and troubleshooting
<p>Condensation forms at the ice storage container's outlet opening and the ice shaft.</p>	<p>The water contained in warm and humid air condenses on the colder surfaces of the appliance.</p> <ul style="list-style-type: none"> ▶ Do not open appliance door unnecessarily. <hr/> <p>Ice residue is melting in the ice chute.</p> <ol style="list-style-type: none"> 1. Wipe away the condensation water with a soft, dry cloth. 2. Open the appliance as briefly as possible. 3. Ensure that the appliance is always closed properly.
<p>Ice cube production is low.</p>	<p>The appliance has only recently been connected.</p> <ul style="list-style-type: none"> ▶ Wait approximately 4 hours until the first batch of ice cubes is ready. <hr/> <p>The freezer compartment has been opened frequently or for an extended period of time.</p> <ul style="list-style-type: none"> ▶ Check ice cube production after a few hours. <hr/> <p>Low water pressure.</p> <ul style="list-style-type: none"> ▶ Check the pressure of the water supply system or the external water filter system, e.g. reverse osmosis system. <p>Connect the appliance only to a water connection with sufficient water pressure. → <i>Page 7</i></p> <hr/> <p>The water filter is blocked.</p> <ul style="list-style-type: none"> ▶ Change the water filter. → <i>Page 17</i>
<p>The ice and water dispenser is not functioning.</p>	<p>Ice cube production is switched off.</p> <ul style="list-style-type: none"> ▶ Switch on ice cube production. <hr/> <p>The keylock is switched on</p> <ul style="list-style-type: none"> ▶ Switch off the keylock. → <i>Page 13</i> <hr/> <p>The ice storage container is not fully inserted.</p> <ul style="list-style-type: none"> ▶ Fully insert the ice storage container. → <i>Page 21</i> <hr/> <p>Ice cubes are frozen together in the ice chute.</p> <ul style="list-style-type: none"> ▶ Remove the ice cubes from the ice chute, for example using a wooden spoon.
	<hr/> <p>Low water pressure.</p> <ul style="list-style-type: none"> ▶ Check the pressure of the water supply system or the external water filter system, e.g. reverse osmosis system. <p>Connect the appliance only to a water connection with sufficient water pressure. → <i>Page 7</i></p> <hr/> <p>The water filter is blocked.</p> <ul style="list-style-type: none"> ▶ Change the water filter. → <i>Page 17</i> <hr/> <p>There is no water being supplied to the appliance.</p> <ul style="list-style-type: none"> ▶ Ensure that there is a water supply and that the shut-off valve on the water connection is open. <p>Contact an installer if necessary.</p> <hr/> <p>Kink in the water hose.</p> <ul style="list-style-type: none"> ▶ Turn off the water supply and straighten the kink in water hose. <p>If necessary, replace the water hose.</p>

Issue	Cause and troubleshooting
The ice and water dispenser is not functioning.	<p>Fault in the ice and water dispenser.</p> <ol style="list-style-type: none"> 1. Switch off the appliance. → <i>Page 13</i> 2. Disconnect the appliance from the power supply. Unplug the power plug or switch off the circuit breaker in the fuse box. 3. Reconnect the appliance after 5 minutes. 4. If the fault persists, call customer service. → <i>Page 29</i>
The appliance hums, bubbles, buzzes, gargles, clicks, crackles or rumbles.	<p>Not a fault. A motor is running, e.g. refrigerating unit, fan. Refrigerant is flowing through the pipes. The motor, switches, solenoid valves or water valves are switching on or off. Automatic defrosting is running. Ice cubes fall into the ice storage container. No action required.</p>
The appliance makes noises.	<p>The appliance is not level.</p> <ul style="list-style-type: none"> ▶ Align the appliance using a bubble level and the screw feet. <p>The appliance is not free-standing.</p> <ul style="list-style-type: none"> ▶ Observe the minimum clearances for the appliance. <p>Fittings wobble or stick.</p> <ul style="list-style-type: none"> ▶ Check the removable fittings and, if required, replace these. <p>Bottles or containers are touching.</p> <ul style="list-style-type: none"> ▶ Move the bottles or containers away from each other. <p>Super freezing is switched on. No action required.</p>

16.1 Power failure

During a power failure, the temperature in the appliance rises; this reduces the storage time and the quality of the frozen food.

Notes

- Open the appliance as little as possible during a power failure and do not place any other food in the appliance.

16.2 Conducting an appliance self-test

Your appliance has an appliance self-test which displays faults that can be eliminated by your customer service.

1. Switch off the appliance. → *Page 13*
 2. Disconnect the appliance from the power supply.
Unplug the appliance from the power source or switch off the circuit breaker in the fuse box.
 3. Connect the appliance to the electricity supply after 5 minutes. → *Page 8*
- ✓ The control panel shows an animation and is locked.
 - 4. One minute after switching on, press and hold **super** (Refrigerator compartment) for 3 to 5 seconds until an audible signal sounds.
 - ✓ The appliance self-test starts.
 - ✓ If, at the end of the appliance self-test, 2 audible signals sound and the temperature display indicates the set temperature, the temperature sensors on your appliance are OK. The appliance switches to normal operation.
 - ✓ If, at the end of the appliance self-test, 5 audible signals sound, inform customer service.

- Check the quality of the food immediately after a power failure.
 - Dispose of any frozen food that has defrosted and is warmer than 41 °F (5 °C).
 - Cook or fry slightly thawed frozen food, and then either consume it or freeze it again.

5. Press **super** (Freezer compartment) so that the appliance skips to normal operation.
- ✓ The temperature displays show the set temperatures → *Page 13*.

17 Storage and disposal

17.1 Taking the appliance out of operation

1. Switch off the appliance. → *Page 13*
2. Disconnect the appliance from the power supply.
Unplug the appliance from the power source or switch off the circuit breaker in the fuse box.
3. Disconnect the appliance from the drinking water connection.
4. Remove all of the food.
5. Remove the water filter. → *Page 17*
6. Clean the appliance. → *Page 20*

7. **NOTICE:** Objects jammed between the door and the housing may damage the door hinge.
- ▶ Open the door until it remains open by itself.
 - ▶ Do not insert any objects between the door and the housing.

To ensure the ventilation inside the appliance, leave the appliance open.

17.2 Disposal of your old appliance

Environmentally compatible disposal allows valuable raw materials to be recycled.

WARNING

Children can lock themselves in the appliance, thereby putting their lives at risk.

- ▶ Remove the appliance doors and the appliance drawer.
- ▶ To prevent children from climbing in, leave shelves and containers in the appliance.
- ▶ Keep children away from the discarded appliance.

WARNING

If the tubes are damaged, flammable refrigerant and harmful gases may escape and ignite.

- ▶ Do not damage the tubes of the refrigerant circuit or the insulation.

1. Unplug the appliance from the power supply.
2. Cut through the power cord.
3. Remove the appliance doors and the appliance drawer.
4. Dispose of the appliance in an environmentally responsible manner.

Information about current disposal methods can be obtained from your specialist dealer or local authority.

18 Customer Service

With any warranty repair, we will make sure your appliance is repaired by an authorized service provider using genuine replacement parts. We use only genuine replacement parts for all repairs.

Detailed information on the warranty period and terms of warranty can be found in the Statement of Limited Product Warranty, from your retailer, or on our website.

If you contact Customer Service, you will need the model number (E-Nr.), the production number (FD) and the consecutive numbering (Z-Nr.) of your appliance.

USA:

1-800-944-2904

www.bosch-home.com/us/owner-support/get-support

www.bosch-home.com/us/shop

CA:

1-800-944-2904

www.bosch-home.ca/en/service/get-support

www.bosch-home.ca/en/service/cleaners-and-accessories

For assistance with connecting to Home Connect®, you can also view instructions here:

www.home-connect.com/us/en/help-support/set-up

18.1 Model number (E-Nr.), production number (FD) and consecutive numbering (Z-Nr.)

You can find the model number (E-Nr.), the production number (FD) and the consecutive numbering (Z-Nr.) on the appliance's rating plate.

→ "Appliance", Fig.  , Page 10

Making a note of your appliance's details and the Customer Service telephone number will enable you to find them again quickly.

19 Technical specifications

Refrigerant, cubic capacity and further technical specifications can be found on the rating plate.

→ "Appliance", Fig.  , Page 10

19.1 Information regarding Free and Open Source Software

This product includes software components that are licensed by the copyright holders as free or open source software.

The applicable license information is stored on your home appliance. You can also access the applicable license information via your Home Connect® app: "Profile -> Legal information -> License Information".¹ You can download the license information on the brand product website. (Please search on the product website for your appliance model and additional documents). Alternatively, you can request the relevant information from ossrequest@bshg.com or BSH Hausgeräte GmbH, Carl-Wery-Str. 34, 81739 Munich, Germany.

The source code will be made available to you on request. Please send your request to ossrequest@bshg.com or BSH Hausgeräte GmbH, Carl-Wery-Str.34, 81739 Munich, Germany.

Subject: „OSSREQUEST“

The cost of performing your request will be charged to you. This offer is valid for three years from the date of purchase or at least as long as we offer support and spare parts for the relevant appliance.

¹ Depending on the appliance specifications

Pour plus d'informations, veuillez vous reporter au Guide de l'utilisateur numérique.



Table des matières

1 Sécurité	32	7.5 Régler la température.....	41
1.1 Définitions des termes de sécurité	32	7.6 Verrouillage des touches	41
1.2 Indications générales	32	8 Fonctions additionnelles	41
1.3 Conformité d'utilisation.....	32	8.1 Super-réfrigération	41
1.4 Restrictions au cercle d'utilisateurs	32	8.2 Super-congélation	42
1.5 Transport sûr.....	32	8.3 Mode Sabbat.....	42
1.6 Installation sûre.....	32	8.4 Notification du changement de filtre	42
1.7 Utilisation sûre	33	9 Alarme	42
1.8 Appareil endommagé.....	34	9.1 Alarme de porte.....	42
1.9 Mises en garde conformément à la proposition 65 de l'État de Californie	34	9.2 Alarme de température.....	42
2 Prévenir les bris matériels	35	10 Home Connect®	43
3 Protection de l'environnement et économies	35	10.1 Configurer l'application Home Connect®.....	43
3.1 Mise au rebut de l'emballage	35	10.2 Configurer Home Connect®	43
3.2 Économiser de l'énergie.....	35	10.3 Activer la connexion au réseau domestique WLAN (Wi-Fi)	43
4 Installation et branchement	36	10.4 Désactiver la connexion au réseau domestique WLAN (Wi-Fi)	43
4.1 Contenu de livraison	36	10.5 Installer la mise à jour du logiciel Home Connect®.....	44
4.2 Critères pour le lieu d'installation.....	36	10.6 Réinitialisez les réglages Home Connect®.....	44
4.3 Monter l'appareil.....	36	10.7 Diagnostic à Distance.....	44
4.4 Préparer l'appareil pour la première utilisation	36	10.8 Protection des données.....	44
4.5 Brancher l'appareil au raccordement d'eau potable	36	11 Compartiment réfrigération	44
4.6 Raccordement électrique de l'appareil	36	11.1 Conseils pour ranger des produits alimentaires dans le compartiment réfrigération	44
5 Description de l'appareil	37	11.2 Zones froides dans le compartiment réfrigération..	44
5.1 Appareil.....	37	12 Compartiment congélation	45
5.2 Bandeau de commande	38	12.1 Conseils pour ranger des aliments dans le compartiment congélation	45
5.3 Bandeau de commande (sous-menu)	39	12.2 Conseils pour congeler des aliments frais	45
5.4 Éléments de commande (distributeur de glace et d'eau).....	39	12.3 Méthodes de décongélation pour aliments congelés.....	45
6 Équipement	39	13 Système hydraulique	45
6.1 Clayette.....	39	13.1 Filtre à eau	45
6.2 Bac de rangement.....	39	13.2 Distributeur d'eau et de glace	46
6.3 Bac à fruits et légumes avec régulateur d'humidité..	39	14 Dégivrer	48
6.4 Séparateur de bac	40	14.1 Dégivrer le compartiment réfrigération.....	48
6.5 Bac tiroir à aliments congelés	40	14.2 Dégivrer le compartiment congélation	48
6.6 Bac à produits congelés suspendu.....	40	15 Nettoyage et entretien	48
6.7 Compartiment de contre-porte	40	15.1 Préparer l'appareil pour le nettoyage.....	48
6.8 Réserve à glaçons	40	15.2 Nettoyer l'appareil	48
7 Opération de base	40	15.3 Nettoyer la cuvette d'égouttage	49
7.1 Mettre l'appareil sous tension.....	40		
7.2 Remarques concernant le fonctionnement de l'appareil	41		
7.3 Éteindre l'appareil	41		
7.4 Régler l'unité de température	41		

15.4 Retirer les pièces d'équipement	49
15.5 Démonter les pièces de l'appareil	51
16 Dépannage	54
16.1 Panne de courant.....	57
16.2 Effectuer l'auto-test de l'appareil	57
17 Entreposage et mise au rebut.....	58
17.1 Mettre l'appareil hors service	58
17.2 Éliminer un appareil usagé.....	58
18 Service à la clientèle.....	58
18.1 Numéro de modèle (E-Nr.), numéro de fabrication (FD) et numéro de comptage (Z-Nr.)....	58
19 Données techniques.....	58
19.1 Informations sur le logiciel libre	59



IMPORTANTES CONSIGNES DE SÉCURITÉ

LIRE ET CONSERVER CES INSTRUCTIONS

Respectez les consignes de sécurité suivantes.

1.1 Définitions des termes de sécurité

Vous trouverez ici des explications sur les mots de signalisation de sécurité utilisés dans ce manuel.

AVERTISSEMENT

Signale un risque de mort ou de blessure grave si l'avertissement n'est pas respecté.

MISE EN GARDE

Signale un risque de blessures mineures ou modérées si l'avertissement n'est pas respecté.

AVIS :

Ceci indique que la non-conformité à cet avis de sécurité peut entraîner des dégâts matériels ou endommager l'appareil.

Remarque : Ceci vous signale des informations et/ou indications importantes.

1.2 Indications générales

- Lisez attentivement cette notice.
- Veuillez conserver la notice et les renseignements sur le produit en vue d'une réutilisation ultérieure ou pour un futur nouveau propriétaire.
- Ne branchez pas l'appareil si ce dernier a été endommagé durant le transport.

1.3 Conformité d'utilisation

Utilisez l'appareil uniquement :

- pour réfrigérer et congeler des aliments, pour la distribution de glaçons et d'eau.
- dans un domicile privé et dans une pièce fermée de l'environnement domestique.
- jusqu'à une altitude maximale de 13 100 pi (4000 m) au-dessus du niveau de la mer.

1.4 Restrictions au cercle d'utilisateurs

Cet appareil n'est pas destiné à être utilisé par des personnes (y compris des enfants) présentant des capacités physiques, sensorielles ou mentales réduites, à moins qu'elles n'aient été informées de la manière d'utiliser l'appareil par une personne responsable de leur sécurité.

Ne permettez jamais aux enfants de jouer avec l'appareil.

Le nettoyage de l'appareil et l'entretien par l'utilisateur sont des activités que les enfants ne peuvent pas effectuer sans surveillance.

1.5 Transport sûr

AVERTISSEMENT

Il peut être risqué de soulever l'appareil en raison de son poids élevé.

- ▶ Soulevez l'appareil à deux personnes.

1.6 Installation sûre

AVERTISSEMENT

Pour éviter tout risque de blessure dû à des réparations incorrectes, observez ce qui suit.

- ▶ Observer impérativement les indications figurant sur la plaque signalétique lors du raccordement et de l'utilisation de l'appareil.
- ▶ Brancher l'appareil uniquement à l'aide d'une fiche dûment installée avec mise à la terre dans une prise secteur à courant alternatif.
- ▶ Le système à conducteur de protection de l'installation électrique de la maison doit être installé correctement.
- ▶ Ne jamais alimenter l'appareil par l'intermédiaire d'un appareil de commutation externe, par ex. une minuterie ou une télécommande.
- ▶ Si l'appareil est encastré, la fiche du cordon d'alimentation secteur doit être librement accessible ou, si un accès libre est impossible, un dispositif de sectionnement doit être installé dans l'installation électrique fixe, conformément aux réglementations d'installation.
- ▶ Veillez à ne pas coincer ou endommager le câble d'alimentation en posant l'appareil.

Pour éviter tout risque de blessure dû à une isolation endommagée du cordon d'alimentation, observez ce qui suit.

- ▶ Ne mettez jamais en contact le cordon d'alimentation avec des sources de chaleur.

AVERTISSEMENT

Si les orifices de ventilation de l'appareil sont obstrués, un mélange gaz-air inflammable peut se produire si le circuit de réfrigération fuit.

- ▶ N'obstruez pas les orifices de ventilation dans le boîtier de l'appareil ou dans le boîtier d'installation.



IMPORTANTES CONSIGNES DE SÉCURITÉ

LIRE ET CONSERVER CES INSTRUCTIONS

AVERTISSEMENT

Pour éviter tout risque de blessure dû à un cordon d'alimentation trop long et à des adaptateurs non approuvés, observez ce qui suit.

- ▶ Ne pas utiliser de rallonge ni de bloc multiprise.
- ▶ Utiliser uniquement les adaptateurs et cordons d'alimentation secteur autorisés par le fabricant.
- ▶ Si le cordon d'alimentation secteur est trop court et qu'aucun autre cordon plus long n'est disponible, contacter un électricien spécialisé pour adapter l'installation domestique.

Les blocs multiprises ou blocs secteur mobiles peuvent surchauffer et provoquer un incendie.

- ▶ Ne placez pas les blocs multiprises ou blocs secteur mobiles à l'arrière des appareils.

1.7 Utilisation sûre

AVERTISSEMENT

L'humidité qui pénètre peut occasionner une électrocution.

- ▶ Utiliser l'appareil uniquement dans des pièces fermées.
- ▶ Ne jamais exposer l'appareil à une forte chaleur ou humidité.
- ▶ N'utilisez pas de nettoyeur haute pression ou de nettoyeur à vapeur pour nettoyer l'appareil.

AVERTISSEMENT

Les enfants peuvent se passer le matériel d'emballage par-dessus la tête, s'y enrouler et s'y étouffer.

- ▶ Gardez le matériel d'emballage à l'écart des enfants.
- ▶ Ne permettez jamais aux enfants de jouer avec le matériel d'emballage.

Les enfants risquent d'inhaler ou d'avaler des petits morceaux et s'étouffer.

- ▶ Gardez les petits morceaux à l'écart des enfants.
- ▶ Ne permettez jamais aux enfants de jouer avec les petits morceaux.

AVERTISSEMENT

L'endommagement du circuit de réfrigération peut provoquer la fuite et l'explosion du fluide frigorigène inflammable.

- ▶ Pour accélérer le dégivrage, n'utilisez pas d'autres dispositifs mécaniques ou d'autres produits que ceux recommandés par le fabricant.
- ▶ Détachez les aliments congelés à l'aide d'un objet émoussé, par exemple le manche d'une cuillère en bois.

Des produits contenant des gaz propulseurs inflammables et des matières explosives peuvent exploser, par ex. bombes aérosols.

- ▶ Ne stockez pas de produits contenant des gaz propulseurs inflammables et des matières explosives dans l'appareil.

AVERTISSEMENT

Les appareils électriques à l'intérieur de l'appareil peuvent provoquer un incendie, par ex. appareils de chauffage ou fabriques de glace électriques.

- ▶ N'utilisez aucun appareil électrique à l'intérieur de l'appareil.

AVERTISSEMENT

Les récipients contenant des boissons gazeuses risquent d'éclater.

- ▶ Ne stockez jamais de boissons gazeuses dans le compartiment congélation.

Lésions oculaires dues à la fuite de fluide frigorigène inflammable et de gaz nocifs.

- ▶ Veillez à ne pas endommager les tubulures du circuit frigorigère, ni l'isolant.

L'appareil peut basculer.

- ▶ Ne vous servez jamais du socle, des glissières ou des portes comme marchepieds et ne vous appuyez jamais dessus.

AVERTISSEMENT

Un contact avec les produits congelés et les surfaces froides peut entraîner des brûlures par le froid.

- ▶ Ne portez jamais des produits surgelés à la bouche immédiatement après les avoir sortis du compartiment congélation.
- ▶ Évitez tout contact prolongé de la peau avec les produits congelés, la glace et les surfaces métalliques présents dans le compartiment congélation.

MISE EN GARDE

Pour éviter toute contamination des produits alimentaires, respectez les instructions suivantes.

- ▶ L'ouverture prolongée de la porte peut entraîner une importante augmentation de la température dans les compartiments de l'appareil.
- ▶ Nettoyez régulièrement les surfaces qui peuvent entrer en contact avec des produits alimentaires et systèmes d'écoulement accessibles.
- ▶ Rincez le système hydraulique si aucune eau n'a été prélevée pendant 5 jours.



IMPORTANTES CONSIGNES DE SÉCURITÉ

LIRE ET CONSERVER CES INSTRUCTIONS

- ▶ Conservez la viande et le poisson crus dans des récipients appropriés dans le compartiment réfrigération de sorte qu'ils ne soient pas en contact avec d'autres aliments et qu'ils ne coulent pas dessus.
- ▶ Si le réfrigérateur/congélateur reste vide pendant une longue période, éteignez l'appareil, dégivrez-le, nettoyez-le et laissez la porte ouverte, afin d'éviter la formation de moisissures.

Les pièces métalliques ou d'aspect métallique de l'appareil peuvent contenir de l'aluminium. Si des aliments acides entrent en contact avec de l'aluminium, des ions d'aluminium peuvent être transférés dans les aliments.

- ▶ Ne consommez pas les aliments contaminés.

1.8 Appareil endommagé

AVERTISSEMENT

Pour éviter tout risque de blessure dû à un appareil ou à un cordon d'alimentation endommagé, observez ce qui suit.

- ▶ Ne jamais utiliser un appareil endommagé.
- ▶ Ne jamais tirer sur le cordon d'alimentation secteur pour débrancher l'appareil du secteur. Toujours débrancher la fiche mâle du cordon d'alimentation secteur.
- ▶ Si l'appareil ou le cordon d'alimentation secteur est endommagé, débrancher immédiatement la fiche mâle du cordon d'alimentation secteur ou couper le fusible dans le boîtier à fusibles et fermer le robinet d'eau.
- ▶ Appeler le service après-vente. → *Page 58*

Pour éviter tout risque de blessure dû à des réparations incorrectes, respectez les points suivants.

- ▶ Seuls des techniciens qualifiés ou des prestataires de services agréés peuvent effectuer des réparations.
- ▶ Seules des pièces de rechange d'origine peuvent être utilisées pour réparer l'appareil.
- ▶ Si le cordon d'alimentation secteur ou le cordon d'alimentation de l'appareil est endommagé, ils doivent être remplacés par des cordons spécifiques disponibles auprès du fabricant ou de son service après-vente.

AVERTISSEMENT



En cas d'endommagement des tuyaux, du fluide frigorigène inflammable et des gaz nocifs peuvent s'échapper et s'enflammer.

- ▶ Éloignez l'appareil de toute flamme nue ou source d'inflammation.
- ▶ Aérez la pièce.
- ▶ Éteindre l'appareil. → *Page 41*
- ▶ Retirez la fiche du cordon d'alimentation secteur ou désactivez le fusible dans la boîte à fusibles.
- ▶ Appeler le service après-vente. → *Page 58*

1.9 Mises en garde conformément à la proposition 65 de l'État de Californie

Ce produit pourrait contenir un produit chimique reconnu par l'État de la Californie comme cancérigène ou ayant des effets nocifs sur la reproduction. Par conséquent, vous pourriez devoir apposer l'étiquette suivante sur l'emballage du produit comme requis par la Californie :

**STATE OF CALIFORNIA PROPOSITION 65 WARNING: /
AVERTISSEMENT ISSUE DE LA PROPOSITION 65
DE L'ÉTAT DE LA CALIFORNIE:**

 **WARNING /
AVERTISSEMENT**

Cancer and Reproductive Harm / Cancer et dommages à la reproduction - www.P65Warnings.ca.gov.

2 Prévenir les bris matériels

AVIS :

Le poids élevé de l'appareil ou le basculement des roulettes de l'appareil risquent d'endommager le sol lors de son déplacement.

- ▶ Transportez l'appareil avec un diable.
- ▶ Lorsque vous déplacez l'appareil, protégez le sol et ne faites pas de zigzags.

Lorsque vous fermez la porte de l'appareil, un montant de porte déplié peut endommager l'appareil.

- ▶ Ne dépliez jamais le montant de porte manuellement.
- ▶ Lorsque le montant de porte est déplié, repliez-le avant de refermer la porte de l'appareil.

L'utilisation de l'appareil, du socle, des glissières ou des portes comme surface d'assise ou comme marchepied peut endommager l'appareil.

- ▶ Ne vous servez jamais de l'appareil, du socle, des glissières ou des portes comme marchepieds et ne vous appuyez jamais dessus.

Une pression de l'eau trop faible ou trop élevée peut gêner le fonctionnement de l'appareil.

- ▶ Assurez-vous que la pression d'eau au niveau de l'alimentation en eau est comprise entre 29 psi (200 kPa) minimum et 116 psi (800 kPa) maximum.
- ▶ Si la pression hydraulique excède la valeur maximale indiquée, un réducteur de pression entre le raccord d'eau potable et la trousse de tuyaux de l'appareil doit être installé.

Les tuyaux d'eau modifiés ou endommagés peuvent provoquer des dégâts matériels ou endommager l'appareil.

- ▶ Veillez à ne jamais plier, écraser, modifier ou couper les tuyaux d'eau.
- ▶ Ne réutilisez jamais des tuyaux d'eau usagés.
- ▶ Ne tirez jamais sur le tuyau d'eau ou sur la paroi arrière de l'appareil.

En cas de salissures provenant d'huile ou de graisse, des pièces en matière plastique et les joints de porte peuvent devenir poreux.

- ▶ Veillez à ce que les pièces en matière plastique et les joints de porte soient exempts d'huile et de graisse.
- Les pièces métalliques ou d'aspect métallique de l'appareil peuvent contenir de l'aluminium. Au contact avec des aliments acides, l'aluminium se corrode et se décolore.
- ▶ Ne conserver des aliments dans l'appareil que s'ils sont emballés.

Si vous nettoyez les pièces d'équipement et les accessoires au lave-vaisselle, ceux-ci risquent de se déformer ou de déteindre.

- ▶ Ne nettoyez jamais les équipements et accessoires au lave-vaisselle.

3 Protection de l'environnement et économies

3.1 Mise au rebut de l'emballage

Les matériaux d'emballage sont écologiques et recyclables.

- ▶ Veuillez éliminer les pièces détachées après les avoir triées par matières.

3.2 Économiser de l'énergie

Si vous respectez les instructions suivantes, votre appareil consommera moins de courant.

Choisir le lieu d'installation

- Protégez l'appareil de la lumière directe du soleil.
- Installez l'appareil aussi loin que possible des radiateurs, des cuisinières et des autres sources de chaleur :
 - Respectez une distance de 1¹/₄" (30 mm) par rapport aux cuisinières électriques ou à gaz.
 - Respectez une distance de 11¹³/₁₆" (300 mm) par rapport à un appareil de chauffage au fuel ou au charbon.
- Ne recouvrez et ne bouchez jamais les orifices de ventilation extérieurs.

Économiser de l'énergie lors de l'utilisation

Remarque : La disposition des pièces d'équipement n'a aucune influence sur la consommation d'énergie de l'appareil.

- N'ouvrez que brièvement l'appareil et fermez-le avec précaution.
- Ne recouvrez et n'obstruez jamais les grilles de ventilation intérieures ni les orifices de ventilation extérieurs.
- Transportez les produits alimentaires achetés dans un sac isotherme et rangez-les rapidement dans l'appareil.
- Attendez que les aliments et les boissons chaudes refroidissent avant de les ranger.
- Pour profiter du froid des produits congelés, placez les produits à décongeler dans le compartiment réfrigération.
- Laissez toujours un peu de place entre les produits alimentaires et la paroi arrière.
- Aspirez la poussière des grilles de ventilation extérieures.

Mode économie d'énergie du bandeau de commande

Lorsque l'appareil n'est pas utilisé, le bandeau de commande passe automatiquement au mode économie d'énergie du bandeau de commande.

En mode économie d'énergie du bandeau de commande, l'option de sélection du distributeur de glace et d'eau fraîche est visible en luminosité réduite.

Remarques

- Lorsque Super-réfrigération est activé, "super" (réfrigérateur) s'allume.
- Lorsque Super-congélation est activé, "super" (congélateur) s'allume.

Dès que vous utilisez le bandeau de commande, appuyez sur le bouton de prélèvement ou ouvrez la porte, le mode économie d'énergie du bandeau de commande se désactive.

4 Installation et branchement

4.1 Contenu de livraison

Après avoir déballé le produit, inspectez toutes les pièces pour détecter d'éventuels dégâts dus au transport et vous assurer de l'intégralité de la livraison.

En cas de réclamation, veuillez vous adresser à votre revendeur ou auprès de notre service à la clientèle

→ Page 58.

La livraison comprend :

- Appareil indépendant
- Des équipements et accessoires¹
- Matériel de montage
- Notice de montage
- Le mode d'emploi
- Déclaration de garantie limitée du produit
- Le document annexe de la garantie²
- Le label énergétique
- Des informations sur Home Connect®

4.2 Critères pour le lieu d'installation

AVERTISSEMENT

Si l'appareil est installé dans une pièce trop petite, une éventuelle fuite du circuit de réfrigération pourrait donner lieu à un mélange de gaz et d'air inflammable.

- ▶ Placez l'appareil uniquement dans une pièce dont le volume minimum est de 35 ft³ (1 m³) par 8 g de fluide frigorigène. La quantité de fluide frigorigène est indiquée sur la plaque signalétique. → "Appareil", Fig.

1/8, Page 38

Selon le modèle, le poids de l'appareil départ usine peut atteindre 335 lbs (150 kg).

Le plancher doit être assez stable pour supporter le poids de l'appareil.

Le plancher doit être plat.

Installation au-dessus et en-dessous, et côte à côte

Si vous souhaitez installer 2 réfrigérateurs superposés ou côte à côte, vous devez observer une distance d'au moins 150 mm entre les appareils. Pour les appareils

sélectionnés, une installation sans distance minimale est possible. Demandez conseil à votre revendeur ou à votre cuisiniste.

4.3 Monter l'appareil

- ▶ Montez l'appareil selon les instructions de montage jointes.

4.4 Préparer l'appareil pour la première utilisation

1. Retirez le matériel d'informations.
2. Retirer les films protecteurs et les sécurités de transport, par ex. les bandes adhésives et le carton.
3. Nettoyez l'appareil pour la première fois. → Page 48

4.5 Brancher l'appareil au raccordement d'eau potable

Exigence

- Une vanne d'arrêt est installée au niveau du raccordement d'eau et est librement accessible après l'installation de l'appareil.
 - Le raccordement d'eau est testé et la qualité de l'eau est potable.
 - Le tuyau d'évacuation d'eau est pourvu d'une bague d'étanchéité.
1. Prélevez de l'eau potable à partir du raccordement à l'eau potable de l'installation domestique jusqu'à ce qu'il n'y ait plus de dépôts ou de turbidité.
En cas de dépôts permanents ou de turbidité dans l'eau potable, installez un système de filtre à eau externe.
 2. Installez le tuyau d'évacuation d'eau sur l'appareil selon les instructions de montage.

4.6 Raccordement électrique de l'appareil

1. Branchez la prise froide du cordon d'alimentation secteur sur l'appareil.
2. Branchez la fiche secteur du cordon d'alimentation de l'appareil dans une prise murale avec mise à la terre à proximité de l'appareil.
Les données de raccordement de l'appareil sont indiquées sur la plaque signalétique. → "Appareil", Fig. **1/8**, Page 38
3. S'assurer que la fiche est correctement insérée.
 - ✓ La bandeau de commande affiche une animation et est verrouillé.
 - ✓ L'appareil est prêt à être utilisé lorsque l'animation est terminée et que les affichages de température s'allument.

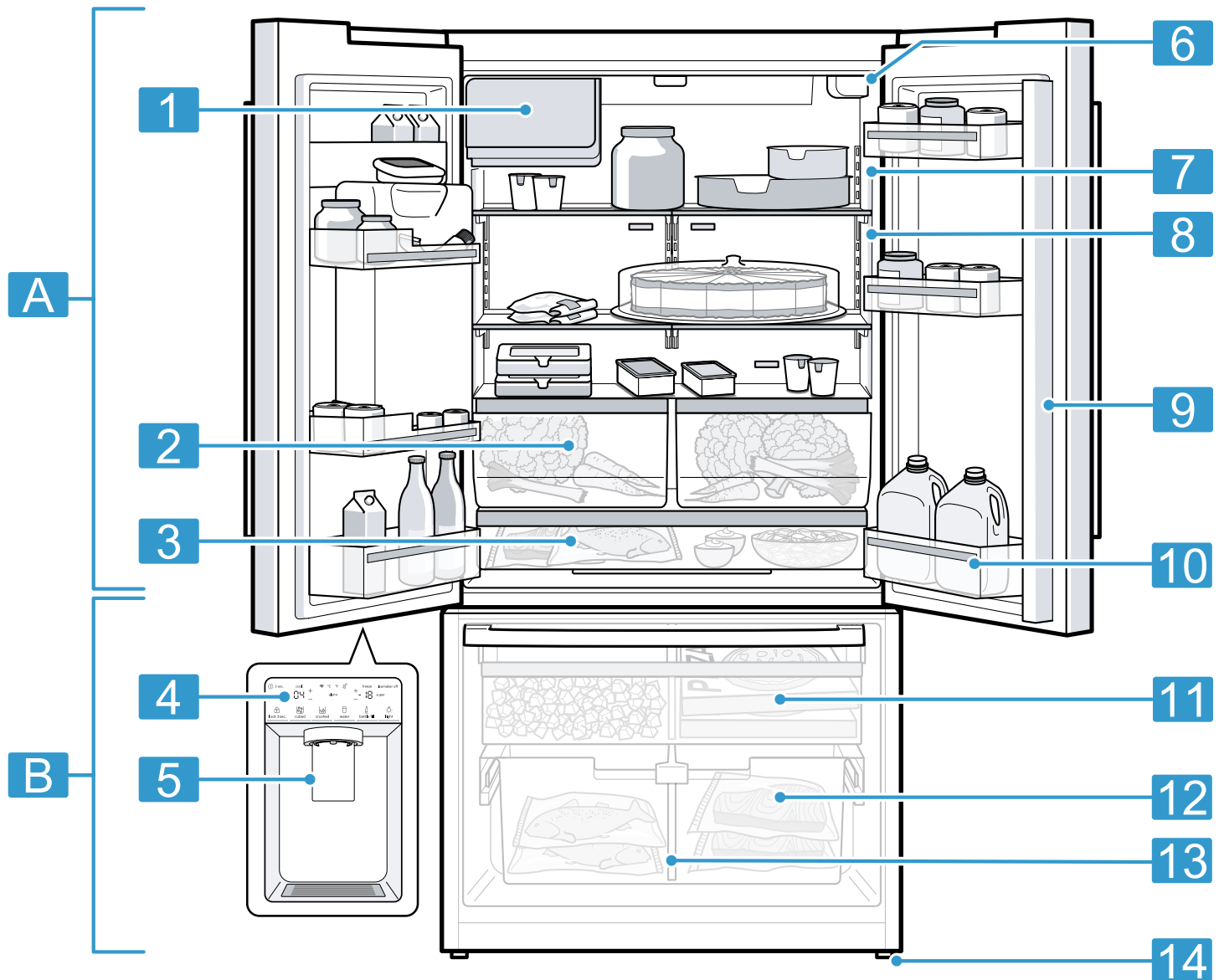
¹ selon l'équipement de l'appareil

² Pas dans tous les pays

5 Description de l'appareil

5.1 Appareil

Cette section contient une vue d'ensemble des composants de votre appareil.



1

Selon l'équipement et la taille, des divergences sont possibles entre votre appareil et les illustrations.

A Compartiment réfrigération → Page 44

B Compartiment congélation → Page 45

1 Réserve à glaçons

2 Bac à fruits et légumes avec régulateur d'humidité
→ Page 39

3 Bac de rangement → Page 39

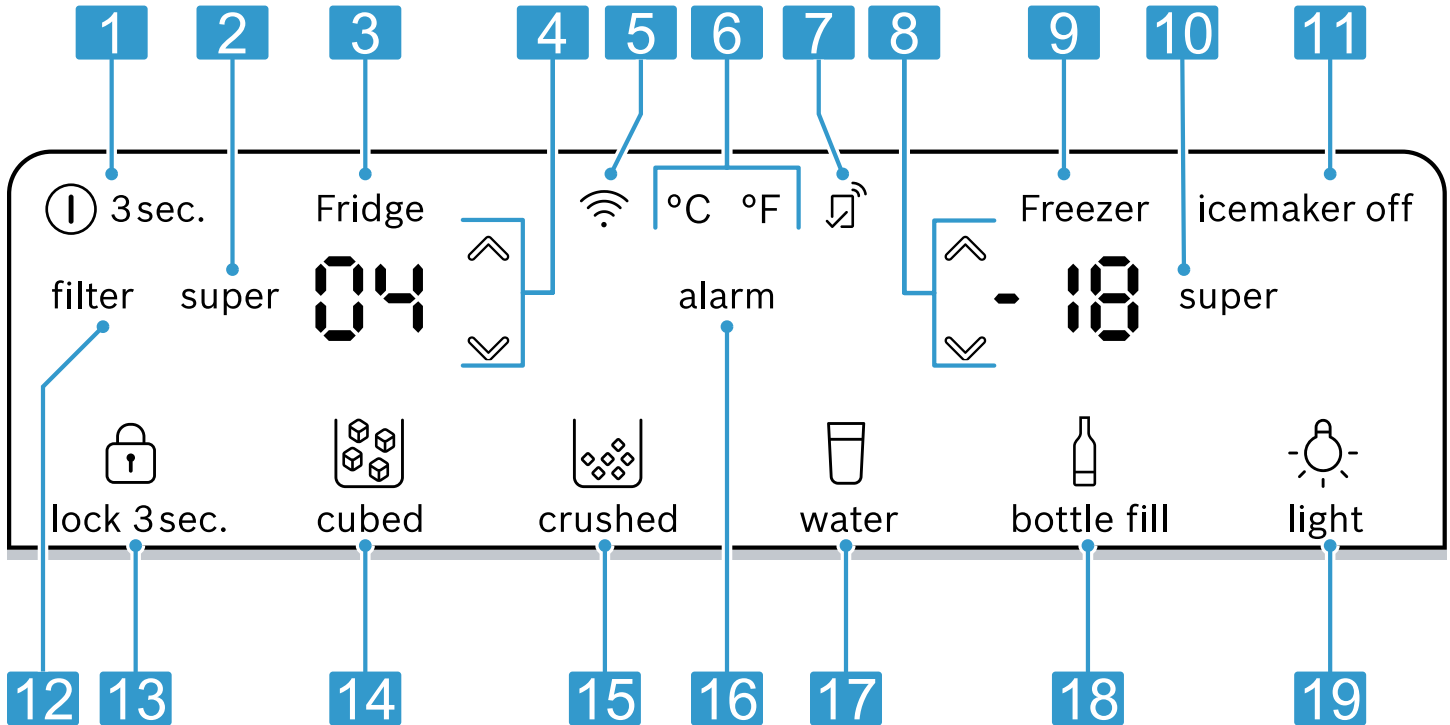
4 Panneau de configuration → Page 38

5	Distributeur d'eau et de glace → Page 46
6	Filtre à eau → Page 45
7	Éclairage intérieur
8	Plaque signalétique → Page 58
9	Montant de porte avec protection anti-condensation → Page 35

10	Compartiment de contre-porte pour grandes bouteilles → Page 40
11	Bac tiroir à aliments congelés → Page 40
12	Bac à produits congelés suspendu → Page 40
13	Séparateur de bac → Page 40
14	Pied à vis

5.2 Bandeau de commande

Le bandeau de commande vous permet de configurer toutes les fonctions de votre appareil et d'obtenir des informations sur son état de fonctionnement.



1	Ⓜ 3 sec. allume ou éteint l'appareil.
2	super (réfrigérateur) active ou désactive la fonction Super-réfrigération.
3	Affiche la température réglée du compartiment réfrigération.
4	↕/↗ (réfrigérateur) règle la température du compartiment réfrigération.
5	📶 active ou désactive la connexion au réseau domestique WLAN (Wi-Fi).
6	°C/°F modifie l'unité de température.
7	📱 s'allume lorsque des réglages définis par l'utilisateur sont réglés via l'appli Home Connect®. Vous trouverez de plus amples informations dans l'appli Home Connect®.
8	↕/↗ (congélateur) règle la température du compartiment congélation.
9	Affiche la température réglée du compartiment congélation en °C.

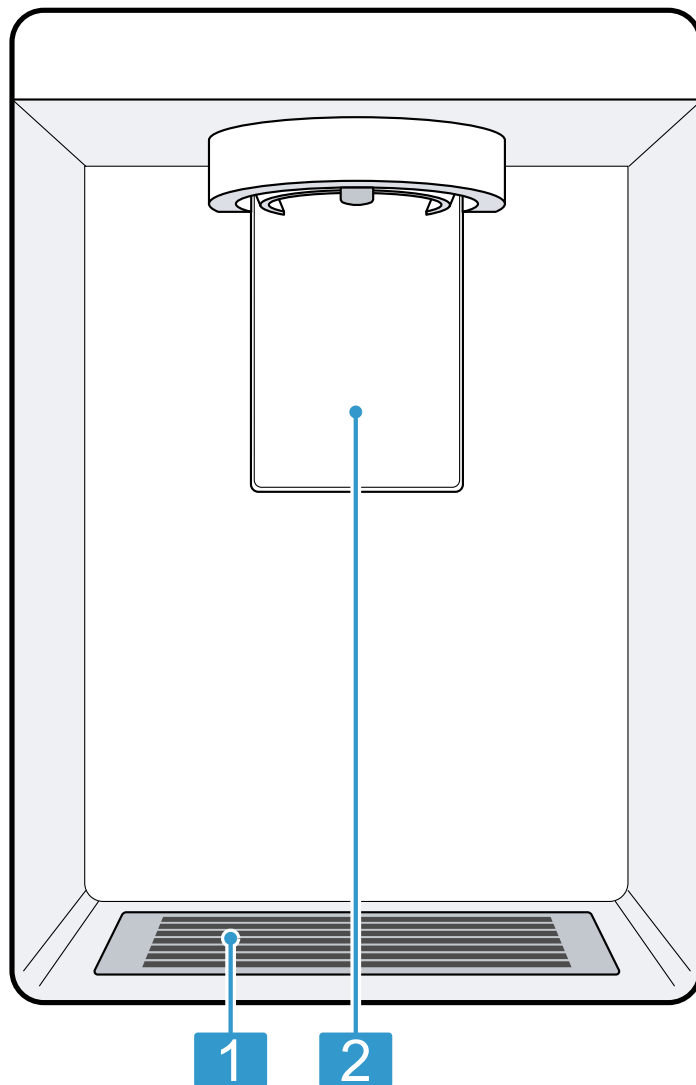
10	super (congélateur) active ou désactive la fonction Super-congélation.
11	icemaker off désactive ou active la production de glaçons.
12	filter s'allume lorsque le filtre doit être remplacé.
13	🔒 lock 3 sec. active ou désactive le verrouillage des touches du bandeau de commande.
14	🧊 cubed règle la distribution de glaçons.
15	🧊 crushed règle la distribution de glace pilée.
16	alarm désactive l'alarme sonore.
17	🥛 water lance la distribution d'eau.
18	🍷 bottle fill règle la distribution d'eau sur une quantité définie.
19	💡 light allume ou éteint l'éclairage permanent du distributeur d'eau et de glace.

5.3 Bandeau de commande (sous-menu)

Le sous-menu vous permet d'effectuer d'autres réglages.

5.4 Éléments de commande (distributeur de glace et d'eau)

Vous trouverez ici un aperçu des éléments du distributeur d'eau et de glace.



3

1 Grille de l'égouttoir → Page 49

2 Bouton de prélèvement

6 Équipement

L'équipement de votre appareil dépend de son modèle.

6.1 Clayette

AVIS :

Les crochets de la clayette peuvent rayer la paroi arrière du compartiment réfrigération lorsqu'elle est accrochée en biais.

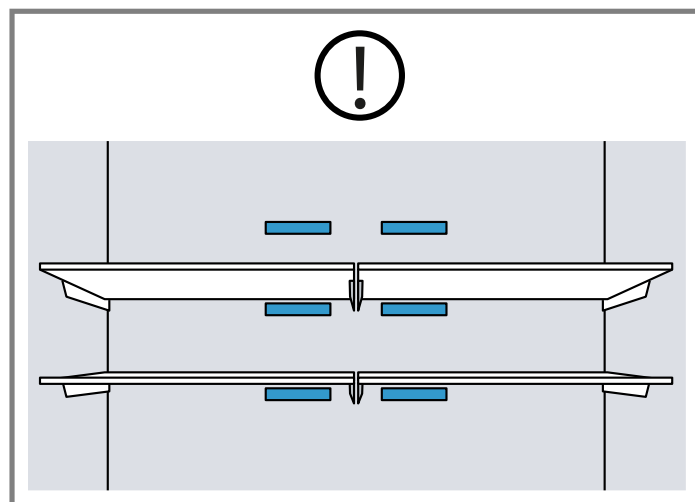
- ▶ Assurez-vous que la clayette est à l'horizontale et que les crochets sont bien enclenchés.

Pour varier la position de la clayette selon les besoins, vous pouvez retirer la clayette et la replacer à un autre endroit.

→ "Retirer la clayette", Page 49

Remarque

Pour ne pas entraver la circulation de l'air, ne couvrez pas les orifices de ventilation internes.



6.2 Bac de rangement

Les températures régnant dans le bac de rangement sont plus basses que dans le compartiment réfrigération. Des températures inférieures à 32 °F (0 °C) peuvent parfois se produire.

Pour atteindre des températures proches de 0 °C (32 °F) dans le bac de rangement, régler la température du compartiment réfrigération sur 2 °C (34 °F). → Page 41
Utilisez les températures plus basses du bac de rangement pour conserver les aliments périssables, par ex. le poisson, la viande et la charcuterie.



6.3 Bac à fruits et légumes avec régulateur d'humidité

Stockez les fruits et légumes frais non emballés dans le bac à fruits et légumes.

Conservez les fruits et légumes coupés recouverts ou dans un emballage hermétique.

Le régulateur d'humidité et un joint d'étanchéité spécial vous permettent d'adapter l'humidité de l'air dans le bac à fruits et légumes. Les fruits et légumes frais se conservent ainsi jusqu'à deux fois plus longtemps qu'avec un mode de rangement conventionnel.

Vous pouvez adapter l'humidité de l'air régnant dans le bac à fruits et légumes en fonction de la nature et de la quantité des aliments à ranger en déplaçant le régulateur d'humidité :

- Déplacez-le vers la gauche pour baisser l'humidité  low si vous stockez principalement des fruits, différents types d'aliments ou que le compartiment est très rempli.
- Déplacez-le vers la droite pour augmenter l'humidité  high si vous stockez principalement des légumes ou que le compartiment est peu rempli.

Suivant la quantité et la nature des produits stockés, de l'eau peut se condenser dans le bac à fruits et légumes. Éliminer l'eau condensée avec un essuie-tout sec et régler un faible taux d'humidité de l'air à l'aide du régulateur d'humidité.

Afin de conserver leur qualité et leurs arômes, rangez les fruits et légumes sensibles au froid en dehors de l'appareil à des températures comprises entre 46 °F (8 °C) à 54 °F (12 °C) environ, par ex. les ananas, les bananes, les agrumes, les concombres, les courgettes, les poivrons, les tomates et les pommes de terre.

6.4 Séparateur de bac

AVERTISSEMENT

Les enfants peuvent s'introduire dans l'appareil et s'étouffer.

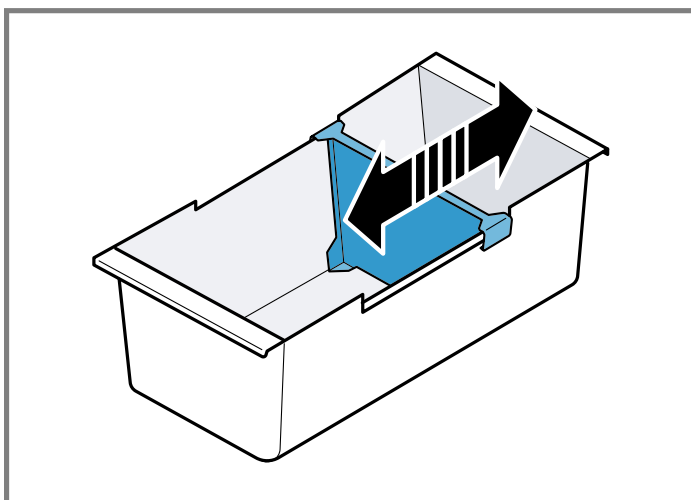
- ▶ Ne retirez jamais le séparateur du bac à produits congelés suspendu.

AVIS :

Le séparateur du bac à produits congelés suspendu est endommagé lors de son retrait.

- ▶ Ne retirez jamais le séparateur du bac à produits congelés suspendu.

Pour varier la répartition du bac à produits congelés suspendu, vous pouvez déplacer le séparateur de bac.



6.5 Bac tiroir à aliments congelés

Pour obtenir une meilleure vue d'ensemble et pour retirer plus rapidement les aliments congelés, tirez le bac tiroir à aliments congelés.

6.6 Bac à produits congelés suspendu

Stockez les aliments congelés volumineux dans le bac à produits congelés suspendu.

6.7 Compartiment de contre-porte

Pour varier la position du compartiment dans la contreporte selon les besoins, vous pouvez le retirer et le replacer à un autre endroit.

→ "Retirer le compartiment de contre-porte", Page 49

6.8 Réserve à glaçons

Si le distributeur d'eau et de glace est allumé, la production de glaçons est automatiquement stockée dans la réserve à glaçons.

AVERTISSEMENT

Le fait de mettre la main dans l'orifice de distribution de la réserve à glaçons peut provoquer des coupures.

- ▶ N'insérez jamais vos doigts dans l'orifice de distribution de la réserve à glaçons.

AVERTISSEMENT

Un contact avec les glaçons et les surfaces froides peut entraîner des brûlures par le froid.

- ▶ Évitez tout contact de la peau avec les glaçons et les surfaces métalliques du bac à glaçons.

AVIS :

Le distributeur d'eau et de glace peut être bloqué ou endommagé par des aliments ou des objets stockés dans le bac à glaçons.

- ▶ Ne stockez jamais d'aliments ou d'objets dans le bac à glaçons.
- ▶ Ne stockez jamais de glaçons fabriqués à l'extérieur dans le bac à glaçons.

Conseils

- Prélevez de plus grandes quantités de glaçons directement du bac à glaçons ou stockez-les dans le bac tiroir à aliments congelés. → Page 50
- Retirez la réserve à glaçons à deux mains, car elle est lourde une fois remplie.

7 Opération de base

7.1 Mettre l'appareil sous tension

1. Raccordez l'appareil électriquement. → Page 36

Remarque : Si l'appareil a été préalablement éteint à l'aide du bandeau de commande, maintenez la touche ① **3 sec.** enfoncée pendant 3 secondes.

- ✓ La bandeau de commande affiche une animation et est verrouillé.
 - ✓ L'appareil est prêt à être utilisé lorsque l'animation est terminée et que les affichages de température s'allument.
 - ✓ Le moteur démarre avec jusqu'à 5 minutes de retard.
 - ✓ L'appareil commence à réfrigérer.
 - ✓ Une alarme sonore retentit, l'affichage de la température (congélateur) et "alarm" clignotent, car le congélateur n'est pas encore assez froid.
2. Éteignez l'alarme sonore avec **alarm**.
 - ✓ "alarm" s'éteint dès que la température réglée est atteinte.
 3. Réglez la température souhaitée. → *Page 41*

7.2 Remarques concernant le fonctionnement de l'appareil

- Lorsque vous avez allumé l'appareil, il peut s'écouler jusqu'à plusieurs heures avant que la température réglée ne soit atteinte.
Ne rangez aucun aliment avant que la température réglée ne soit atteinte.
- Les surfaces frontales et les parois latérales du boîtier sont légèrement chauffées temporairement. Cela permet d'éviter la condensation.
- Lorsque vous refermez la porte, veillez à ce qu'elle ne soit pas bloquée par les aliments stockés.
- Lorsque vous refermez la porte, une dépression peut se produire. La porte est alors difficile à ouvrir. Patientez quelques instants jusqu'à ce que la dépression soit compensée.
- La température de l'appareil varie selon les conditions suivantes :
 - Fréquence des ouvertures de l'appareil
 - Charge
 - Température des aliments nouvellement stockés
 - Température ambiante
 - Exposition directe au soleil

7.3 Éteindre l'appareil

1. Pour activer le mode de réglage, appuyez sur la partie supérieure du bandeau de commande.
2. Maintenez ① **3 sec.** appuyé pendant 3 secondes.


7.4 Régler l'unité de température

Vous avez le choix entre les unités de température °F et °C.

1. Pour activer le mode de réglage, appuyez sur la partie supérieure du bandeau de commande.
2. Appuyez sur °C/°F.


7.5 Régler la température

Régler la température du compartiment congélation

1. Pour activer le mode de réglage, appuyez sur la partie supérieure du bandeau de commande.
2. Appuyez à plusieurs reprises sur  (réfrigérateur) jusqu'à ce que l'affichage de la température (compartiment réfrigération) indique le réglage de température souhaité.

La température recommandée dans le compartiment réfrigération est de 37 °F (3 °C).

Régler la température du compartiment congélation



1. Pour activer le mode de réglage, appuyez sur la partie supérieure du bandeau de commande.
2. Appuyez à plusieurs reprises sur  (congélateur) jusqu'à ce que l'affichage de la température (compartiment congélation) indique le réglage de température souhaité.

La température recommandée dans le compartiment congélation est de 0 °F (-18 °C).



7.6 Verrouillage des touches

Le verrouillage des touches empêche toute utilisation involontaire ou incorrecte de l'appareil.

Activer le verrouillage des touches

1. Pour activer le mode de réglage, appuyez sur la partie inférieure du bandeau de commande.
2. Appuyez sur  **lock 3 sec.** pendant 3 secondes.
 - ✓  "lock 3 sec." s'allume.

Désactiver le verrouillage des touches

- ▶ Appuyez sur  **lock 3 sec.** pendant 3 secondes.
 - ✓  "lock 3 sec." s'éteint.

8 Fonctions additionnelles

Découvrez les fonctions additionnelles dont votre appareil dispose. L'appli Home Connect® vous permet de régler d'autres fonctions supplémentaires.

8.1 Super-réfrigération

La fonction Super-réfrigération permet de refroidir au maximum le compartiment réfrigération.

Activez la fonction Super-réfrigération avant de ranger de grandes quantités d'aliments dans le compartiment réfrigération.

Remarque : Lorsque la fonction Super-réfrigération est activée, il est possible que l'appareil fonctionne plus bruyamment.

Allumez la fonction Super-réfrigération

1. Pour activer le mode de réglage, appuyez sur la partie supérieure du bandeau de commande.

2. Appuyez sur **super** (réfrigérateur).

✓ "super" (réfrigérateur) s'allume.

Remarque : Après environ 6 heures, l'appareil passe en mode de fonctionnement normal.

Désactivez le Super-réfrigération

1. Pour activer le mode de réglage, appuyez sur la partie supérieure du bandeau de commande.

2. Appuyez sur **super**.

✓ La température réglée auparavant s'affiche.

8.2 Super-congélation

Avec la fonction Super-congélation, le compartiment congélation refroidit au maximum.

Activez la fonction Super-congélation 1 à 2 heures avant de ranger une quantité d'aliments à partir de 2 kg (4,4 lb) dans le compartiment congélation.

Utilisez Super-congélation pour accélérer la production de glaçons.

Remarque : Lorsque la fonction Super-congélation est activée, il est possible que l'appareil fonctionne plus bruyamment.

Allumez la Super-congélation

1. Pour activer le mode de réglage, appuyez sur la partie supérieure du bandeau de commande.

2. Appuyez sur **super** (congélateur).

✓ "super" (congélateur) s'allume.

Remarque : Après environ 8 heures, l'appareil passe en mode de fonctionnement normal.

Désactiver la Super-congélation

1. Pour activer le mode de réglage, appuyez sur la partie supérieure du bandeau de commande.

2. Appuyez sur **super** (congélateur).

✓ La température réglée auparavant s'affiche.

8.3 Mode Sabbat

En mode Sabbat, toutes les fonctions non essentielles sont désactivées pour vous permettre d'utiliser l'appareil le jour du sabbat.

En mode Sabbat, les fonctions suivantes sont désactivées :

- Super-réfrigération
- Super-congélation
- Alarme
- Distributeur d'eau
- Production et distribution de glaçons
- Éclairage intérieur
- Signaux sonores
- Messages sur le bandeau de commande

Remarque : En mode Sabbat, l'éclairage du bandeau de commande est éteint. "super" (congélateur) s'allume en luminosité réduite.

Activer le mode sabbat

1. Appuyez sur ##CP0203SYA##.

2. Appuyez sur .

3. Appuyez sur ##CP0206SYB##/##CP0206SYA## jusqu'à ce que "ON" s'allume.

4. Appuyez sur ##CP0203SYB##.

Remarque : Au bout d'environ 74 heures, l'appareil revient en fonctionnement normal.

Désactiver le mode Sabbat

1. Pour activer le mode de réglage, appuyez sur la partie supérieure du bandeau de commande.

2. Maintenez enfoncé **super** (congélateur) pendant 15 secondes jusqu'à l'émission d'un signal sonore.

8.4 Notification du changement de filtre

La notification de changement de filtre s'active tous les 6 mois.

"filter" s'allume.

Remarque : En cas d'augmentation de la consommation d'eau, la notification de changement de filtre s'enclenche plus tôt.

Désactiver la notification de changement de filtre

1. Remplacez le filtre à eau.

Le capuchon bypass ne doit pas être changé.

2. Appuyez sur **filter**.

✓ "filter" s'éteint.

✓ Le statut de changement du filtre est réinitialisé.

9 Alarme

9.1 Alarme de porte

L'alarme de porte retentit lorsque la porte de l'appareil reste ouverte longtemps.

Une alarme sonore retentit, "alarm" clignote et la température réglée du compartiment concerné clignote.

Désactiver l'alarme de porte

▶ Fermez la porte de l'appareil ou appuyez sur **alarm**.

✓ L'alarme sonore est désactivée.

9.2 Alarme de température

Si la température monte trop dans le compartiment congélation, l'alarme de température retentit.

Une alarme sonore retentit, "alarm" clignote et la température réglée du compartiment concerné clignote.

MISE EN GARDE

Lors de la décongélation, les bactéries peuvent se multiplier et les aliments congelés peuvent s'abîmer.

▶ Ne remettez pas à congeler des produits alimentaires partiellement ou entièrement décongelés.

- ▶ Ne recongelez les aliments qu'après avoir les avoir fait cuire ou rôti.
- ▶ N'utilisez plus la durée de conservation dans son intégralité.

L'alarme de température peut s'enclencher dans les cas suivants :

- L'appareil est mis en route.
Attendez que la température réglée soit atteinte avant de ranger les produits.
- Rangement de grandes quantités de produits alimentaires frais.
Activez Super-congélation avant de ranger de grandes quantités de nourriture.
- Porte du compartiment congélation restée trop longtemps ouverte.
Vérifiez si les produits surgelés ont été décongelés.

Éteindre l'alarme de température

- ▶ Appuyez sur **alarm**.
- ✓ L'alarme sonore est désactivée.
- ✓ L'affichage de la température (compartiment congélation) indique brièvement la température la plus élevée qui a régné dans le compartiment congélation. Ensuite, l'affichage de la température (compartiment congélation) indique à nouveau la température réglée.
- ✓ À partir de ce moment-là, l'appareil détermine et enregistre à nouveau la température la plus élevée.
- ✓ "alarm" s'allume jusqu'à ce que la température réglée soit à nouveau atteinte.

10 Home Connect®

Cet appareil peut être mis en réseau. Branchez votre appareil à un appareil mobile pour en effectuer la commande via l'application Home Connect®.

Les Home Connect® ne sont pas proposés dans tous les pays. La disponibilité de la fonction Home Connect® de l'offre des services Home Connect® dans votre pays. Vous trouverez de plus amples informations à ce sujet à l'adresse : www.home-connect.com.

Pour utiliser Home Connect®, configurez d'abord la connexion à votre réseau domestique WLAN (Wi-Fi¹) et à l'application Home Connect®.

Attendez au moins 3 minutes après la mise en marche de l'appareil, jusqu'à ce que l'initialisation interne de l'appareil soit achevée. Réglez ensuite d'abord Home Connect®.

L'appli Home Connect® vous guide tout au long du processus de connexion. Suivez les étapes prescrites par l'application Home Connect® pour procéder aux réglages.

Conseil : Observez également les consignes dans l'application Home Connect®.

Remarques

- Observez les consignes de sécurité de la présente notice d'utilisation et assurez-vous qu'elles sont également respectées si vous utilisez l'appareil via l'application Home Connect®.

→ "Sécurité", Page 32

- Les commandes sur l'appareil même ont toujours priorité. Pendant ce temps, la commande via l'application Home Connect® n'est pas possible.

10.1 Configurer l'application Home Connect®

1. Installer l'application Home Connect® sur votre appareil mobile.
2. Démarrez l'appli Home Connect® et configurez l'accès à Home Connect®.

L'appli Home Connect® vous guide tout au long du processus de connexion.

10.2 Configurer Home Connect®

Exigence : L'appareil a accès au réseau domestique WLAN (Wi-Fi) sur le lieu d'installation.

1. Scanner le code QR ci-après.



Le code QR vous permet d'installer l'appli Home Connect® et de connecter votre appareil.

2. Suivez les instructions de l'application Home Connect®.

10.3 Activer la connexion au réseau domestique WLAN (Wi-Fi)

- ▶ Appuyez sur .

10.4 Désactiver la connexion au réseau domestique WLAN (Wi-Fi)

- ▶ Appuyez sur .

¹ Wi-Fi est une marque déposée de la société Wi-Fi Alliance.



10.5 Installer la mise à jour du logiciel Home Connect®

Remarque : Si une mise à jour du logiciel Home Connect® est disponible, un message apparaît dans l'appli Home Connect®.

- ▶ Pour installer la mise à jour du logiciel Home Connect®, suivez les instructions de l'appli Home Connect®.
- ✓ Pendant l'installation, le bandeau de commande est partiellement verrouillé.

10.6 Réinitialisez les réglages Home Connect®

Si vous rencontrez des problèmes de connexion de votre appareil à votre réseau domestique WLAN (Wi-Fi) ou si vous souhaitez enregistrer votre appareil dans un autre réseau domestique WLAN (Wi-Fi), vous pouvez réinitialiser les réglages de Home Connect®.

- ▶ Maintenez enfoncé  pendant 6 secondes jusqu'à ce que  s'éteigne.
- ✓ Les réglages de Home Connect® sont réinitialisés.

10.7 Diagnostic à Distance

Le service à la clientèle peut accéder à votre appareil à l'aide de Diagnostic à Distance si vous le lui demandez, à condition que votre appareil soit connecté au serveur Home Connect® et que Diagnostic à Distance soit disponible pour votre appareil et votre pays. Pour des informations sur la disponibilité de Diagnostic à Distance dans votre pays, consultez la section Service/Soutien de votre site Web local : www.home-connect.com. Veuillez noter que si Diagnostic à Distance peut aider à résoudre certains problèmes, il peut arriver qu'une visite sur place soit nécessaire si le problème ne peut être résolu à distance.

10.8 Protection des données

Observez les conseils de protection des données. Lors de la première connexion de votre appareil à un réseau domestique relié à Internet, votre appareil transmet les catégories de données suivantes au serveur Home Connect® (premier enregistrement) :

- Code d'appareil univoque (constitué de clés d'appareil ainsi que de l'adresse MAC du module de communication Wi-Fi intégré).
- Certificat de sécurité du module de communication Wi-Fi (pour la protection des informations de la connexion).
- La version actuelle du logiciel et du matériel de votre électroménager.
- État d'une précédente restauration éventuelle des réglages d'usine.

Ce premier enregistrement prépare l'utilisation des fonctions Home Connect® et s'avère uniquement nécessaire au moment où vous souhaitez utiliser les fonctions Home Connect® pour la première fois.

Remarque : Veuillez noter que les fonctions Home Connect® ne sont utilisables qu'avec l'application Home Connect®. Vous pouvez consulter les informations sur la protection des données dans l'appli Home Connect®.

11 Compartiment réfrigération

Vous pouvez entreposer des produits laitiers, des œufs, des plats cuisinés, des pâtisseries, des conserves ouvertes et des fromages à pâte dure dans le compartiment fraîcheur.

La température est réglable de 33 °F (1 °C) à 43 °F (6 °C).

Le stockage au froid vous permet aussi de ranger des denrées facilement périssables à court et moyen terme. Plus la température choisie est basse, plus les aliments restent frais plus longtemps.

11.1 Conseils pour ranger des produits alimentaires dans le compartiment réfrigération

- Stockez uniquement des aliments frais et intacts.
- Conservez les aliments dans un récipient hermétique ou couvert.
- Pour ne pas entraver la circulation de l'air et éviter que les aliments ne gèlent, ne placez pas les aliments devant les orifices de ventilation internes ni en contact direct avec la paroi arrière.
- Laissez les boissons et aliments chauds refroidir avant de les ranger.
- Respectez la date de péremption ou la date limite d'utilisation indiquée par le fabricant.

11.2 Zones froides dans le compartiment réfrigération

L'air circulant dans le compartiment réfrigération engendre des zones différemment froides.

Zone la plus froide

La zone la plus froide se trouve dans le bac de rangement.

Conseil : Rangez les aliments périssables dans la zone la plus froide, par ex. le poisson, la charcuterie et la viande.

Zone la moins froide

La zone la moins froide se trouve complètement en haut, contre la porte.

Conseil : Rangez-y par ex. les fromages à pâte dure et le beurre. Le fromage peut ainsi continuer à développer son arôme, tandis que le beurre reste facile à tartiner.

12 Compartiment congélation

Dans le compartiment congélation, vous pouvez stocker des aliments congelés, congeler des aliments et confectionner des glaçons.

La température est réglable de 6 °F (-14 °C) à -7 °F (-22 °C).

La température de stockage à long terme des aliments doit se situer à 0 °F (-18 °C) ou encore plus bas.

La congélation vous permet de stocker les aliments facilement périssables à long terme. Les basses températures ralentissent ou stoppent la l'altération des aliments.

12.1 Conseils pour ranger des aliments dans le compartiment congélation

- Conservez les aliments dans des emballages hermétiques.
- Veillez à ce que les aliments à congeler n'entrent pas en contact avec d'autres déjà congelés.
- Répartissez les aliments sur une grande surface dans le bac à produits congelés suspendu.

12.2 Conseils pour congeler des aliments frais

- Congelez uniquement des aliments frais et d'un aspect impeccable.
- Congelez les aliments en portions.
- Les plats cuisinés sont plus appropriés que les aliments crus comestibles.
- Lavez, hachez et blanchissez les légumes avant de les congeler.
- Avant la congélation, lavez les fruits, retirez les pépins et épluchez les fruits si nécessaire, ajoutez du sucre ou une solution d'acide ascorbique si nécessaire.
- Les produits de boulangerie, le poisson et les fruits de mer, la viande, le gibier et la volaille, les œufs sans coquille, le fromage, le beurre, le caillé, les plats préparés et les restes se prêtent à la congélation.
- La laitue, les radis, les œufs en coquille, les raisins, les pommes et poires crues, le yaourt, la crème aigre, la crème fraîche et la mayonnaise ne se prêtent pas à la congélation.

Emballer les surgelés

Un matériau d'emballage approprié et le bon type d'emballage sont essentiels pour maintenir la qualité du produit et éviter les brûlures de congélation.

1. Placez les aliments dans l'emballage.
2. Pressez pour chasser l'air.
3. Fermez hermétiquement l'emballage afin que les aliments ne perdent pas leur saveur ou ne se dessèchent pas.
4. Indiquez sur l'emballage le contenu et la date de congélation.

12.3 Méthodes de décongélation pour aliments congelés

⚠ MISE EN GARDE

Lors de la décongélation, les bactéries peuvent se multiplier et les aliments congelés peuvent s'abîmer.

- ▶ Ne remettez pas à congeler des produits alimentaires partiellement ou entièrement décongelés.
- ▶ Ne recongelez les aliments qu'après avoir les avoir fait cuire ou rôtir.
- ▶ N'utilisez plus la durée de conservation dans son intégralité.
- Décongelez les aliments d'origine animale dans le compartiment réfrigération, par exemple le poisson, la viande, le fromage et le lait caillé.
- Décongelez le pain à température ambiante.
- Préparez les aliments au micro-ondes, au four ou sur la table de cuisson pour une consommation immédiate.

13 Système hydraulique

Votre appareil est doté de composants contenant de l'eau. Le système hydraulique fonctionne uniquement si un filtre à eau ou un capuchon bypass est installé.

Désactivez la production de glaçons avant de débrancher l'appareil du raccord d'eau potable.

13.1 Filtre à eau

Le filtre à eau filtre les particules et le goût de chlore de l'eau.

Le filtre à eau réduit d'autres impuretés, par exemple les chloramines, le plomb et les produits pharmaceutiques.

Remarque : Le filtre à eau ne filtre pas les bactéries ou microbes.

Changez le filtre à eau :

- tous les 6 mois.
- lorsque "filter" s'allume.
- lorsque le débit d'eau est visiblement réduit.
- lorsque la production de glaçons est visiblement réduite.

Conseils

- Pour un filtre à eau neuf, adressez-vous à notre service après-vente, à votre revendeur ou consultez notre site Web.
- Si vous ne souhaitez pas utiliser de filtre à eau dans votre appareil ou faire installer un système de filtre à eau externe, vous pouvez remplacer le filtre à eau de façon permanente par un capuchon bypass. Le capuchon bypass filtre uniquement les particules grossières de l'eau et peut être nettoyé si nécessaire. Pour un capuchon bypass, adressez-vous à notre service après-vente ou consultez notre site Web.

Notification du changement de filtre

La notification de changement de filtre s'active tous les 6 mois.

"filter" s'allume.

Remarque : En cas d'augmentation de la consommation d'eau, la notification de changement de filtre s'enclenche plus tôt.

Désactiver la notification de changement de filtre

1. Remplacez le filtre à eau.

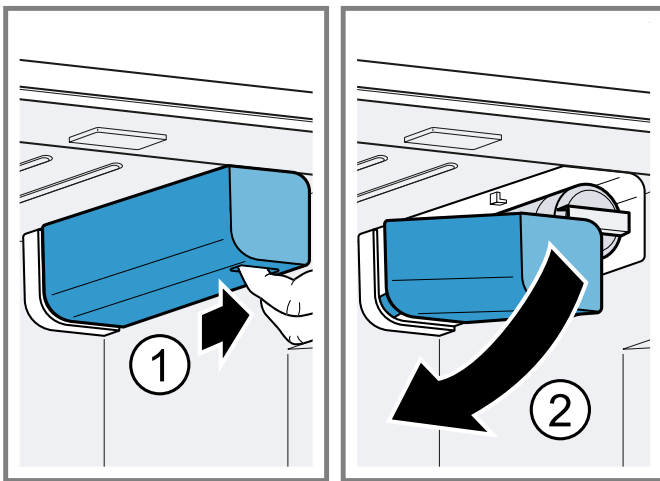
Le capuchon bypass ne doit pas être changé.

2. Appuyez sur **filter**.

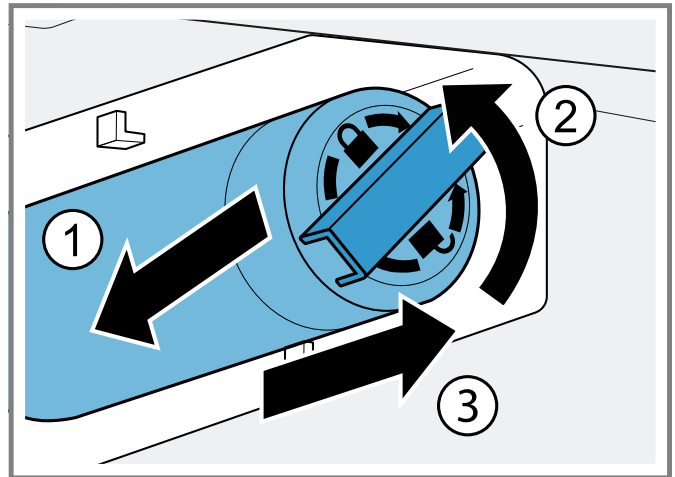
- ✓ "filter" s'éteint.
- ✓ Le statut de changement du filtre est réinitialisé.

Changer le filtre à eau ou le remplacer par un capuchon bypass

1. Agrippez le couvercle du filtre par la rainure située en dessous, tirez-le légèrement vers l'avant ① et rabattez-le vers la gauche ②.



2. Rabattez le filtre à eau vers le bas à gauche ①, tournez-le de 90° dans le sens inverse des aiguilles d'une montre ② et retirez-le ③.
- Retirez le filtre à eau avec précaution car il peut se trouver sous pression.



Remarque : Une partie de l'eau s'égoutte du filtre à eau lorsque vous le retirez. Essuyez l'eau qui s'égoutte avec un essuie-tout sec.

Conseil : Vous pouvez jeter le filtre à eau usé avec les ordures ménagères.

3. Poussez le nouveau filtre à eau ou capuchon bypass jusqu'en butée dans l'ouverture du filtre, puis faites-le pivoter à 90° dans le sens des aiguilles d'une montre et rabattez-le vers le haut et la droite.
4. Rabattez le couvercle du filtre vers le haut à droite et repoussez-le jusqu'en butée.
5. Jetez tous les glaçons produits au cours des premières 24 heures, prélevez de l'eau pendant 5 minutes et jetez-la.

13.2 Distributeur d'eau et de glace

Utilisez le distributeur d'eau et de glace pour prélever les glaçons, la glace pilée et l'eau réfrigérée.

Pour atteindre une production maximale de glaçons de 5,4 kg (12 livres) sur une période de 24 heures :

- Réglez le compartiment congélateur sur la température la plus froide.
- Videz le bac à glaçons tous les 3 heures.

La quantité de production de glaçons varie selon les conditions suivantes :

- Fréquence des ouvertures de l'appareil
- Chargement de produits alimentaires
- Température et humidité ambiantes
- Pression de l'eau et état du filtre à eau

Remarque : Le distributeur d'eau et de glace est verrouillé lorsque la porte de l'appareil est ouverte.

Mettre en service le distributeur d'eau et de glace

Remarques

- La production de glaçons démarre dès que l'appareil est allumé et que le compartiment congélation a atteint la température réglée.

- Les premiers glaçons sont prêts environ 4 heures après que le compartiment congélation ait atteint la température réglée.
- Le système hydraulique d'un appareil nouvellement branché, ou pourvu d'un filtre à eau neuf, contient de l'air.

Exigence : L'appareil est raccordé à l'eau potable.

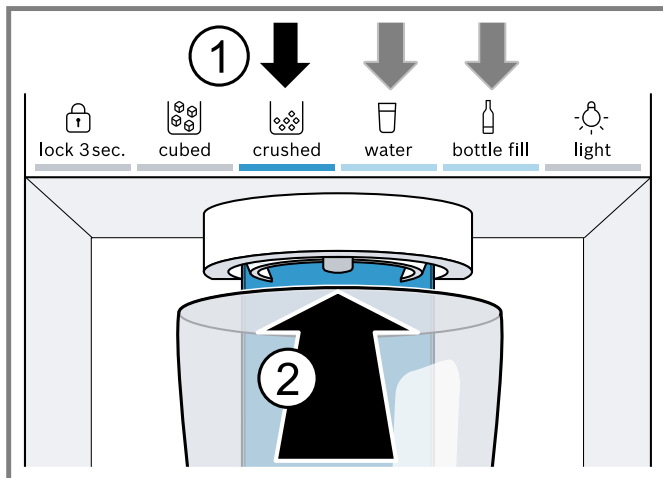
1. Faites couler l'eau jusqu'à ce qu'elle ne contienne plus de bulles d'air.

Essuyez les éclaboussures d'eau avec un essuie-tout sec.

2. Pour des raisons d'hygiène, prélevez et jetez l'eau produite pendant 5 minutes.
3. Pour des raisons d'hygiène, jetez tous les glaçons produits pendant les 24 premières heures.

Prélever des glaçons ou de l'eau

1. Pour activer le mode de réglage, appuyez sur la partie inférieure du bandeau de commande.
2. Appuyez sur l'option de sélection souhaitée ① puis appuyez le verre contre le bouton de prélèvement ②.
 - Si aucune eau n'a été prélevée pendant 5 jours, rincez le système hydraulique. Pour rincer le système hydraulique, prélevez 2 l. d'eau.



Conseil : Tenez le verre directement sous l'orifice de distribution.

Remarques

- Après un certain temps de prélèvement continu, le distributeur d'eau et de glace s'arrête. Patientez quelques secondes avant de prélever à nouveau de l'eau ou de la glace.
- Après quelques cycles de prélèvement consécutifs, le distributeur d'eau et de glace s'arrête. Patientez quelques minutes avant de prélever à nouveau de l'eau ou de la glace.
- En passant de **cubed** à **crushed** quelques glaçons peuvent être distribués lors du prochain prélèvement.
- En passant de **crushed** à **cubed** de la glace pilée peut être distribuée lors du prochain prélèvement.

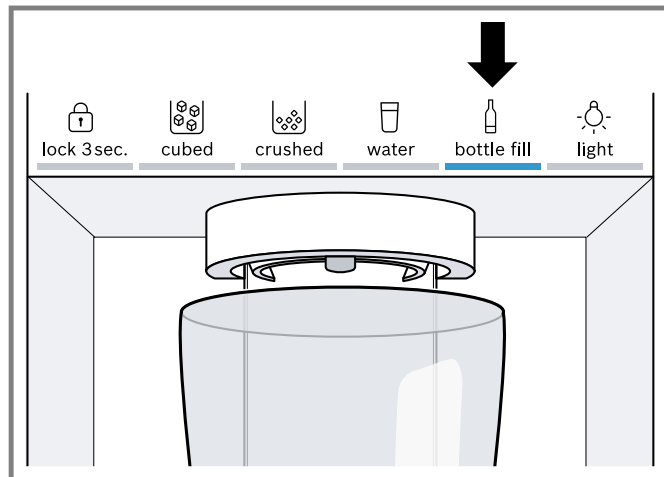
Option de remplissage de bouteille

Vous pouvez verser une quantité d'eau prédéfinie avec l'option de remplissage de bouteille.

Remarque : La quantité d'eau prédéfinie en usine est d'environ 500 ml.

Retirer le remplissage des bouteilles

1. Appuyez sur **bottle fill**.
2. Placez une bouteille ou une carafe sous l'orifice de distribution.
3. Appuyez sur **bottle fill**.



- ✓ La quantité d'eau définie est distribuée.

Conseils

- Pour arrêter le prélèvement prématurément, appuyez sur n'importe quel champ tactile du bandeau de commande.
- Pour redémarrer le prélèvement, appuyez sur **bottle fill**.

Remarque : Si vous ne remplissez pas de bouteille pendant un certain temps, l'option de sélection passe à **water**.

Régler la quantité d'eau de l'option de remplissage de la bouteille

Remarque : Le temps de remplissage maximal est de 60 secondes.



1. Appuyez sur **bottle fill**.
 2. Placez une bouteille ou une carafe sous l'orifice de distribution.
 3. Sélectionnez l'une des options :
 - Appuyez simultanément sur **bottle fill** jusqu'à ce que la quantité d'eau souhaitée soit distribuée.
 - Appuyez à plusieurs reprises sur **✓/∧** (congélateur) jusqu'à ce que l'affichage de la température (compartiment congélation) indique le temps de distribution d'eau souhaité en secondes.
- ✓ La nouvelle quantité d'eau est enregistrée et est distribuée avec l'option de remplissage des bouteilles.

Éclairage permanent



Si vous ne prélevez pas de la glace ni de l'eau pendant un certain temps, l'éclairage s'éteint.

Vous pouvez allumer en permanence l'éclairage du distributeur d'eau et de glace.

Activer l'éclairage permanent

1. Pour activer le mode de réglage, appuyez sur la partie inférieure du bandeau de commande.
 2. Appuyez sur  **light**.
- ✓  **light** s'allume.

Éteindre l'éclairage permanent

1. Pour activer le mode de réglage, appuyez sur la partie inférieure du bandeau de commande.
 2. Appuyez sur  **light**.
- ✓  **light** s'éteint.

Lancer la production de glaçons

1. Pour activer le mode de réglage, appuyez sur la partie supérieure du bandeau de commande.
 2. Appuyez sur **icemaker off**.
- ✓ La production de glaçons démarre et la dernière option de sélection utilisée s'allume.

Arrêter la production de glaçons

1. Pour activer le mode de réglage, appuyez sur la partie supérieure du bandeau de commande.
 2. Appuyez sur **icemaker off**.
- ✓ La distribution de glace et la production de glaçons s'arrêtent.

14 Dégivrer

14.1 Dégivrer le compartiment réfrigération

Le compartiment réfrigération de votre appareil se dégèle automatiquement.

14.2 Dégivrer le compartiment congélation

Grâce au système « NoFrost » entièrement automatique, le compartiment congélation ne se couvre pas de givre. Aucun dégivrage n'est nécessaire. Aucun dégivrage n'est nécessaire.

15 Nettoyage et entretien

Pour que votre appareil reste longtemps opérationnel, nettoyez-le et entretenez-le avec soin. Le nettoyage de points inaccessibles doit être réalisé par le service après-vente. Le nettoyage par le service après-vente peut engendrer des frais.

15.1 Préparer l'appareil pour le nettoyage

1. Éteindre l'appareil. → *Page 41*
2. Débranchez l'appareil du réseau électrique.
Retirez la fiche du cordon d'alimentation secteur ou désactivez le fusible dans la boîte à fusibles.

3. Retirez tous les aliments de l'appareil et rangez-les dans un endroit frais.
Si possible, placez des accumulateurs de froid sur les aliments.
4. Retirez toutes les pièces d'équipement et les accessoires de l'appareil. → *Page 49*
5. Déposez les rails de sortie. → *Page 51*
6. Démontez la clayette au-dessus du bac à fruits et légumes. → *Page 51*
7. Démontez la clayette au-dessus du bac de rangement. → *Page 52*
8. Démontez le couvercle du bac à fruits et légumes. → *Page 52*

15.2 Nettoyer l'appareil

AVERTISSEMENT

L'humidité qui pénètre peut occasionner une électrocution.

- ▶ N'utilisez pas de nettoyeur haute pression ou de nettoyeur à vapeur pour nettoyer l'appareil.

AVIS :

Les produits de nettoyage inappropriés risquent d'endommager la surface de l'appareil.

- ▶ N'utilisez pas de tampon abrasif ni d'éponge en laine d'acier.
- ▶ N'utilisez pas de produits de nettoyage agressifs ou récurants.
- ▶ N'utilisez pas de produits de nettoyage fortement alcoolisés,
- ▶ N'utilisez pas de nettoyant pour acier inox sur le côté extérieur de l'appareil.

Si vous nettoyez les pièces d'équipement et les accessoires au lave-vaisselle, ceux-ci risquent de se déformer ou de déteindre.

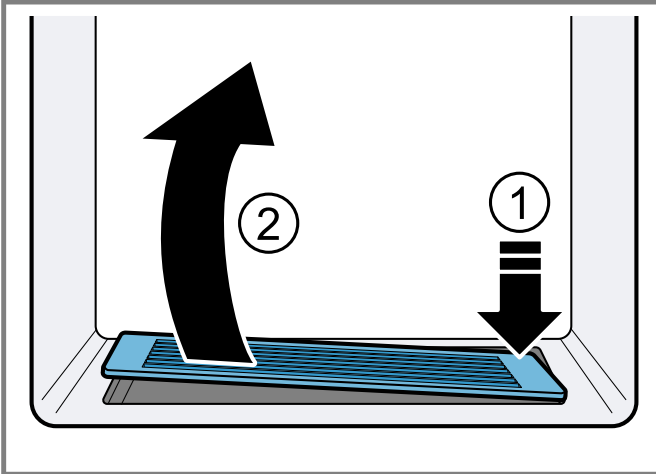
- ▶ Ne nettoyez jamais les équipements et accessoires au lave-vaisselle.

1. Préparez l'appareil pour le nettoyage. → *Page 48*
2. Nettoyez l'extérieur et l'intérieur de l'appareil, les pièces d'équipement, les accessoires, les parties de l'appareil et les joints de porte avec une lavette, de l'eau tiède et du produit à vaisselle présentant un pH neutre.
3. Séchez ensuite minutieusement avec un chiffon doux et sec.
4. Insérez les pièces d'équipement et montez les parties amovibles de l'appareil.
5. Raccordez l'appareil électriquement. → *Page 36*
6. Rangez les aliments.

15.3 Nettoyer la cuvette d'égouttage

Vérifiez régulièrement si de l'eau a été renversée dans la cuvette d'égouttage et nettoyez-la si nécessaire.

1. Poussez la grille de l'égouttoir dans le coin supérieur droit vers le bas ① puis retirez-la ②.



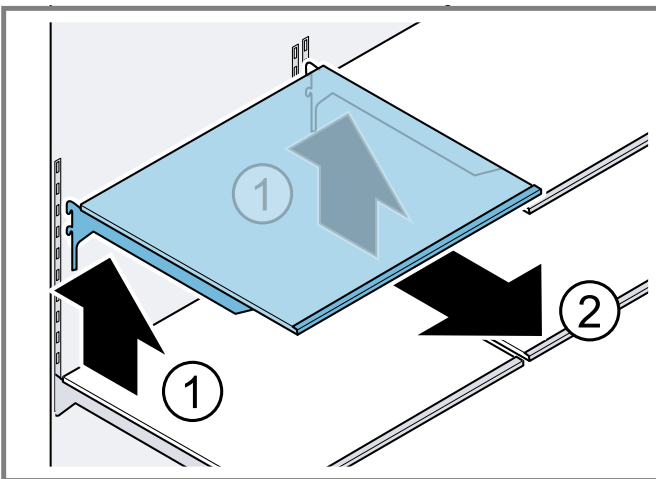
2. Essuyez la cuvette d'égouttage avec une éponge ou un chiffon absorbant.

15.4 Retirer les pièces d'équipement

Si vous souhaitez nettoyer soigneusement les pièces d'équipement, retirez celles-ci de votre appareil.

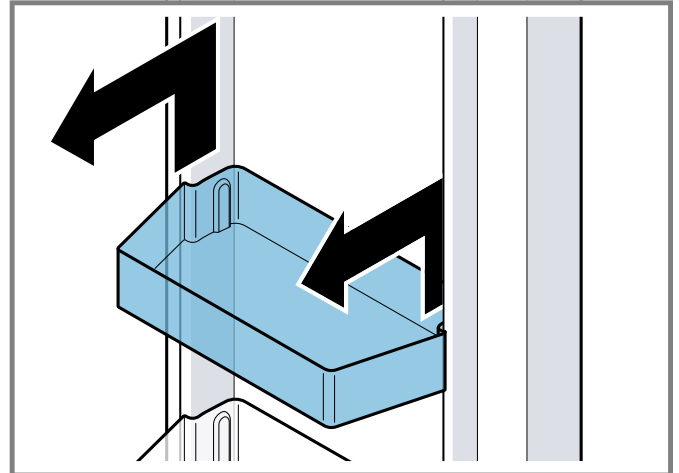
Retirer la clayette

- Soulevez la clayette ① et retirez-la ②.



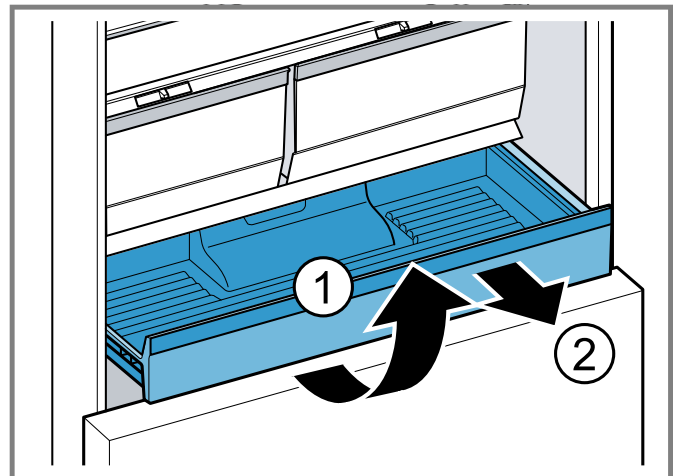
Retirer le compartiment de contre-porte

- Soulevez le compartiment dans la contre-porte vers le haut et retirez-le.



Retirer le bac de rangement

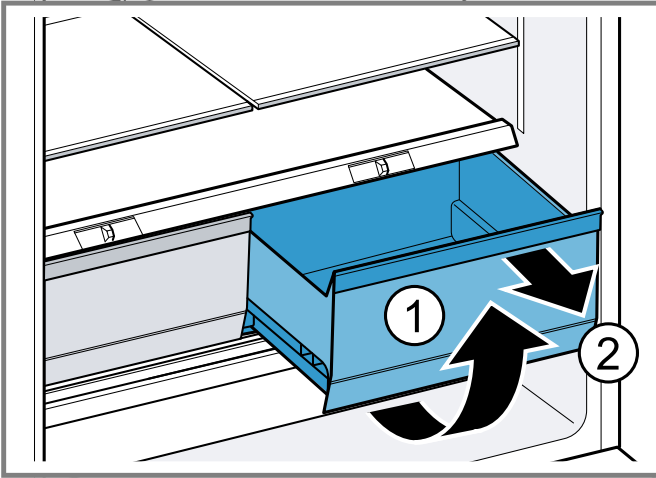
1. Extrayez le bac de rangement jusqu'en butée.
2. Soulevez le bac de rangement à l'avant ① et retirez-le ②.



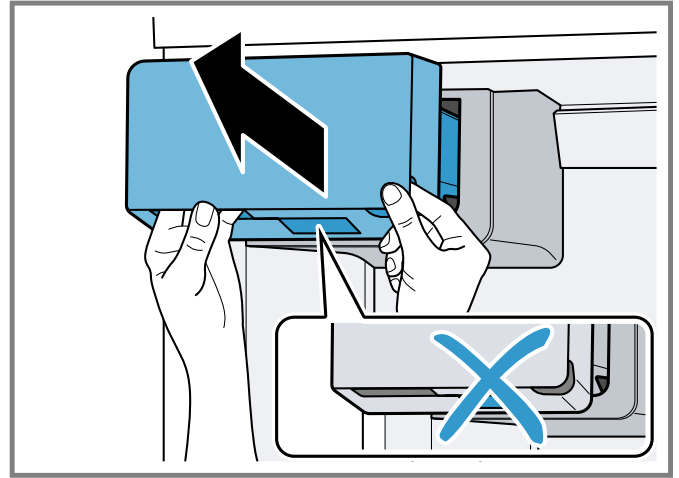
Retirer le bac à fruits et légumes

1. Extrayez le bac à fruits et légumes jusqu'en butée.

2. Soulevez le bac à fruits et légumes vers l'avant ① et retirez-le ②.

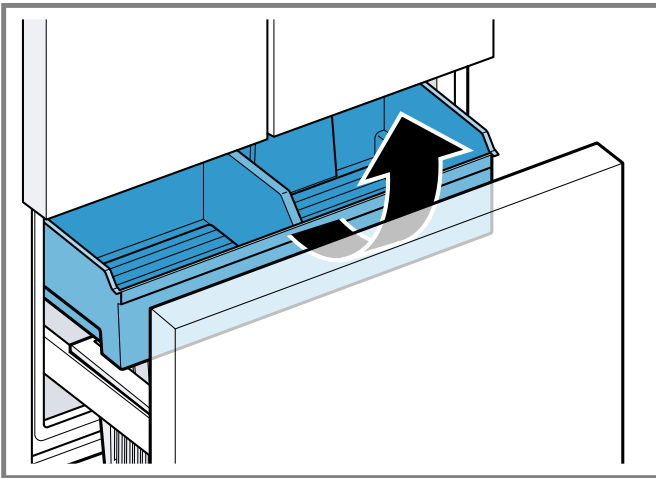


- Passez la main dans les encoches de gauche et de droite sous le bac à glaçons et retirez-le vers l'avant.



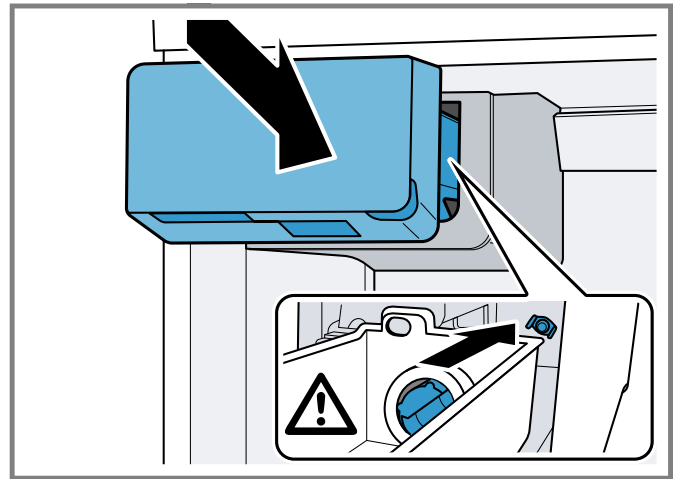
Retirer le bac tiroir à aliments congelés

1. Tirez le récipient coulissant pour aliments surgelés jusqu'à ce qu'il s'arrête.
2. Soulevez le bac tiroir à aliments congelés vers l'avant et retirez-le.



Conseils

- Si le bac à glaçons ne peut pas être réinstallé, tournez la vis sans fin du bac à glaçons et essayez à nouveau.



- Si le bac à glaçons se bloque lors de l'installation, retirez les glaçons excédentaires de l'ouverture du bac à glaçons.

Retirer la réserve à glaçons

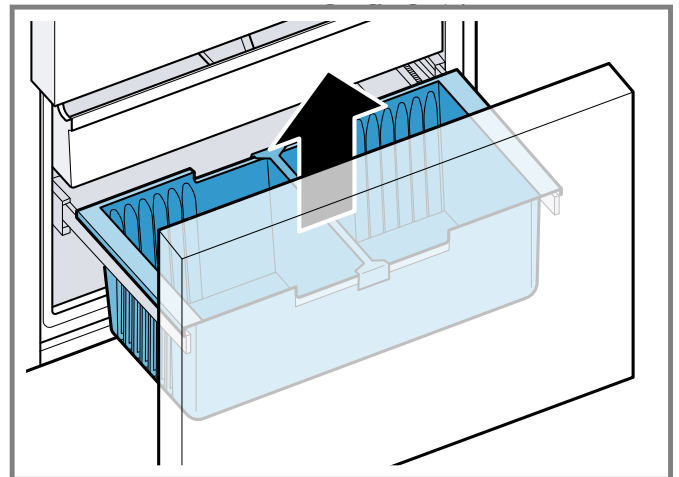
⚠ AVERTISSEMENT

Le fait de mettre la main dans l'orifice de distribution de la réserve à glaçons peut provoquer des coupures.

- N'insérez jamais vos doigts dans l'orifice de distribution de la réserve à glaçons.

Retirer le bac à produits congelés suspendu

- Retirez le bac à produits congelés suspendu par le haut.



15.5 Démontez les pièces de l'appareil

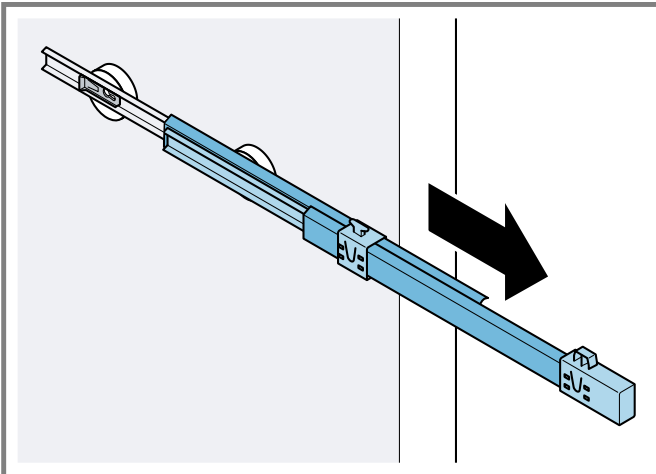
Si vous souhaitez effectuer un nettoyage complet de votre appareil, vous pouvez retirer certaines pièces de votre appareil.

Rails de sortie

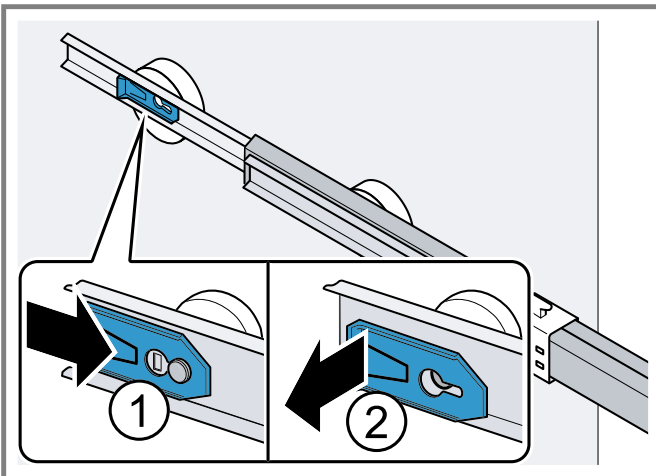
Pour nettoyer à fond les rails de sortie, vous pouvez les retirer.

Démontez les rails de sortie

1. Extrayez les rails de sortie.

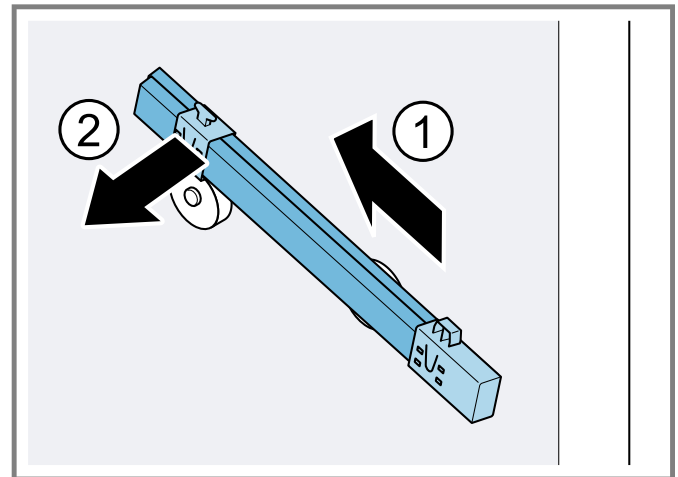


2. Poussez le dispositif de verrouillage dans le sens de la flèche ① et relâchez-le par le boulon arrière ②.



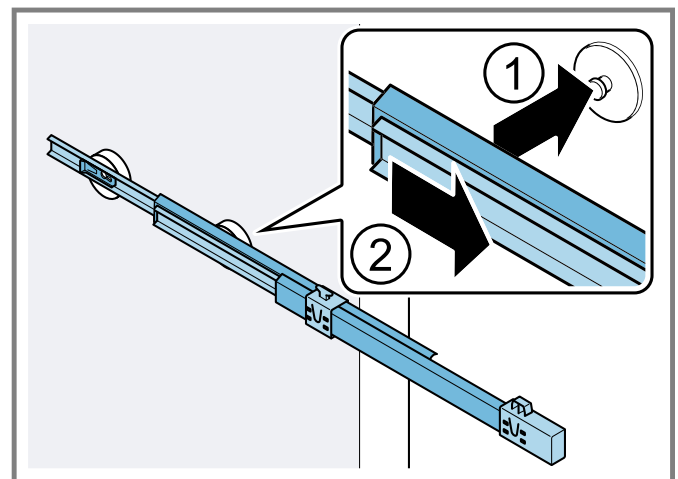
3. Poussez les rails de sortie.

4. Poussez les rails de sortie en arrière au dessus du boulon arrière ① puis décrantez-les ②.

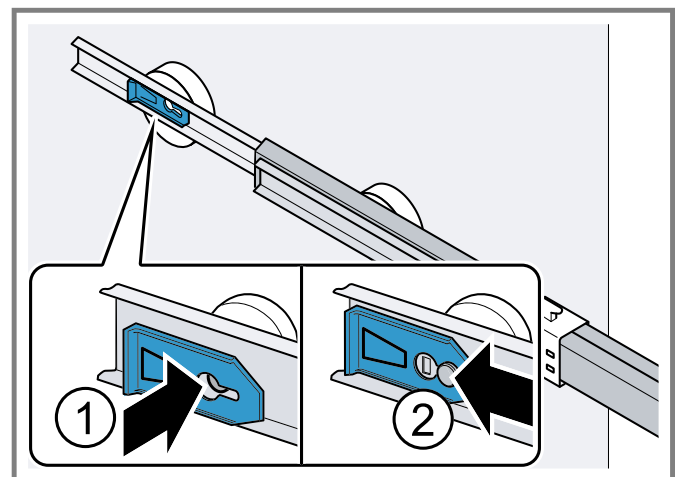


Montez les rails de sortie

1. Posez le rail de sortie déployé sur le boulon avant ① et tirez-le légèrement vers l'avant ②.



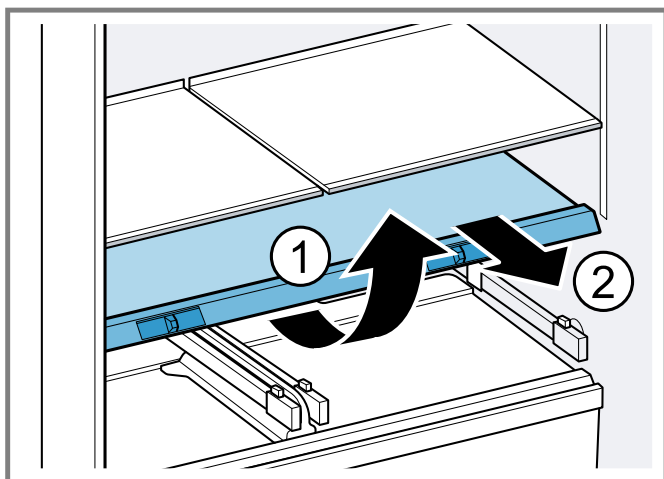
2. Insérez le rail de sortie au niveau du boulon arrière ① et faites glisser le dispositif de verrouillage vers l'arrière ②.



Démontez la clayette au-dessus du bac à fruits et légumes

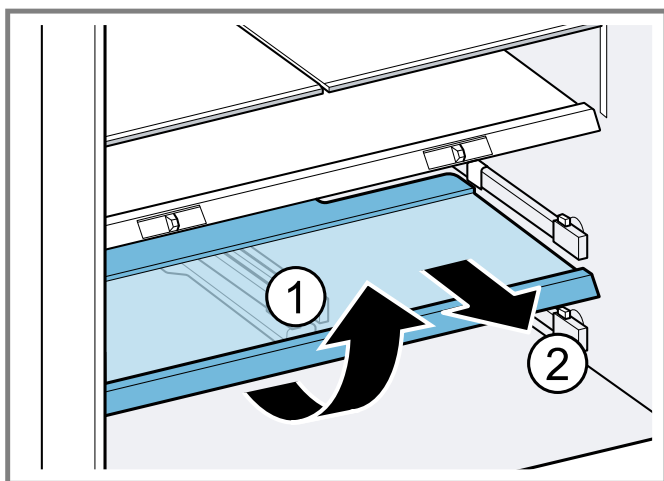
1. Extrayez le bac à fruits et légumes jusqu'en butée.

2. Soulevez la clayette au-dessus du bac à fruits et légumes ① et retirez-la ②.



Démonter la clayette au dessus du bac de rangement

1. Extrayez le bac de rangement jusqu'en butée.
2. Soulevez la clayette au-dessus du bac de rangement ① et retirez-la ②.



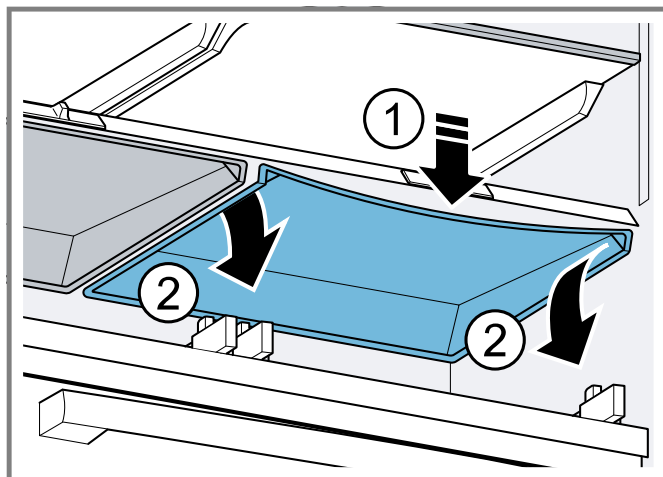
Couvercle du bac à fruits et légumes

Pour bien nettoyer le couvercle du bac à fruits et légumes, vous pouvez retirer ce dernier.

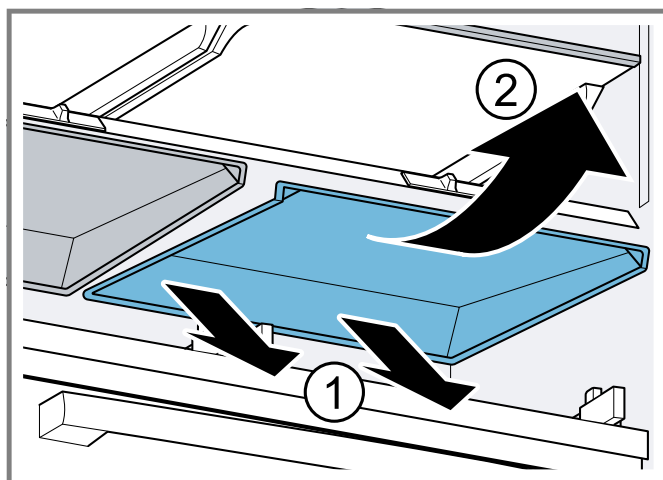
Démonter le couvercle du bac à fruits et légumes

1. Retirez le bac à fruits et légumes. → Page 49

2. Pliez légèrement le couvercle du bac à fruits et légumes au centre vers le bas ①, puis décrochez un côté, puis l'autre côté vers l'avant ②.

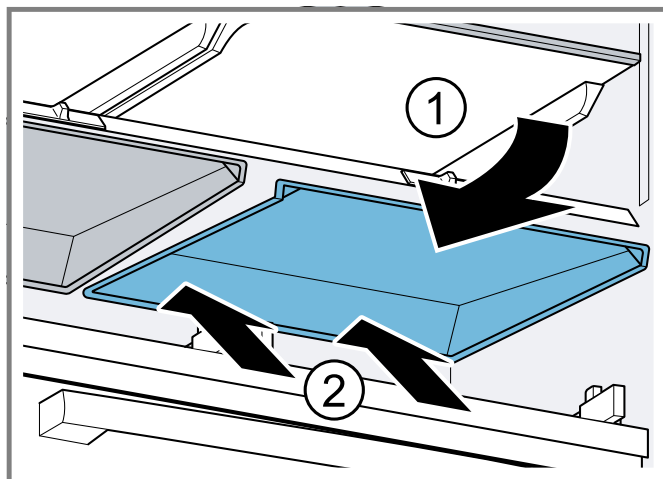


3. Accrochez le couvercle du bac à fruits et légumes à l'arrière ① puis retirez-le ②.

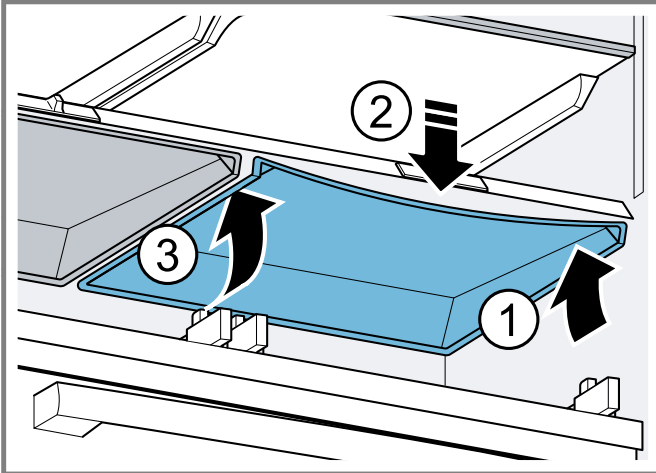


Monter le couvercle du bac à fruits et légumes

1. Poussez le couvercle du bac à fruits et légumes vers l'arrière de manière symétrique ① puis accrochez-le ②.



2. Accrochez un côté du couvercle du bac à fruits et légumes à l'avant ①, puis penchez-le légèrement au milieu ② et accrochez l'autre côté à l'avant ③.



Si le couvercle du bac à fruits et légumes est encore plié, déplacez le bouton de commande de l'humidité dans les deux sens jusqu'à ce que le couvercle du bac à fruits et légumes s'enclenche en place.

16 Dépannage


Vous pouvez éliminer vous-même les défauts mineurs de votre appareil. Veuillez lire les informations de dépannage avant de contacter le service à la clientèle. Cela peut éviter des frais de réparation inutiles.

AVERTISSEMENT

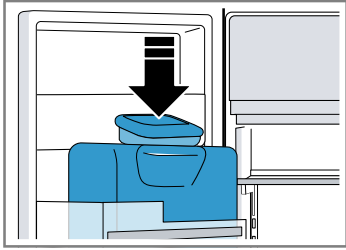
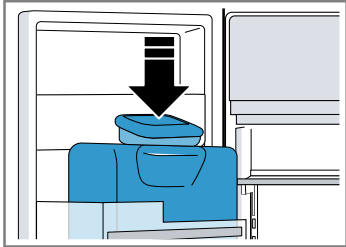
Pour éviter tout risque de blessure dû à des réparations incorrectes, respectez les points suivants.

- ▶ Seuls des techniciens qualifiés ou des prestataires de services agréés peuvent effectuer des réparations.

- ▶ Seules des pièces de rechange d'origine peuvent être utilisées pour réparer l'appareil.
- ▶ Si le cordon d'alimentation secteur ou le cordon d'alimentation de l'appareil est endommagé, ils doivent être remplacés par des cordons spécifiques disponibles auprès du fabricant ou de son service après-vente.

Défaut	Cause et dépannage
L'appareil ne réfrigère pas, les affichages et l'éclairage sont allumés.	<p>L'appareil se trouve sur le mode Exposition.</p> <ol style="list-style-type: none"> 1. Débranchez l'appareil du secteur. Retirez la fiche du cordon d'alimentation secteur ou désactivez le fusible dans le boîtier à fusibles. 2. Raccordez à nouveau l'appareil après 5 minutes. 3. Patientez au moins 30 secondes et appuyez ensuite sur ##CP0434SYB## pendant 15 secondes. ✓  apparaît brièvement sur le bandeau de commande. 4. Vérifiez après un court laps de temps si l'appareil réfrigère.
L'éclairage par LED ne fonctionne pas.	<p>Ce problème peut avoir de nombreuses causes.</p> <ul style="list-style-type: none"> ▶ Appelez le service après-vente. → "Service à la clientèle", Page 58
Le groupe frigorifique s'enclenche plus souvent et plus longtemps.	<p>L'appareil a été ouvert fréquemment.</p> <ul style="list-style-type: none"> ▶ N'ouvrez pas la porte de l'appareil inutilement. <p>Les orifices de ventilation extérieurs sont recouverts.</p> <ul style="list-style-type: none"> ▶ Retirez les obstacles situés devant les orifices de ventilation extérieurs. <p>Il ne s'agit pas d'un défaut. Les appareils frigorifiques modernes se mettent en marche plus souvent et ont différents niveaux de puissance afin de refroidir plus efficacement.</p> <ul style="list-style-type: none"> ▶ Retirez les obstacles situés devant les orifices de ventilation extérieurs. ▶ Installez l'appareil aussi loin que possible des radiateurs, des cuisinières et des autres sources de chaleur. Évitez toute exposition prolongée de l'appareil aux rayons directs du soleil. ▶ N'ouvrez la porte de l'appareil que le temps nécessaire. ▶ Laissez d'abord les boissons et aliments chauds refroidir avant de les ranger.
Une couche de givre se forme sur la paroi arrière du compartiment réfrigération.	<p>Il ne s'agit pas d'un défaut. Les appareils frigorifiques modernes assurent une température uniforme dans le compartiment réfrigération. La paroi arrière du compartiment réfrigération est régulièrement décongelée automatiquement.</p> <ul style="list-style-type: none"> ▶ N'ouvrez la porte de l'appareil que le temps nécessaire. ▶ Emballez les aliments hermétiquement ou couvrez-les. ▶ Laissez d'abord les boissons et aliments chauds refroidir avant de les ranger. ▶ Laissez toujours un peu d'espace entre les aliments et les parois intérieures.
Home Connect® ne fonctionne pas correctement.	<p>Ce problème peut avoir de nombreuses causes.</p> <ul style="list-style-type: none"> ▶ Rendez-vous sur www.home-connect.com.

Défaut	Cause et dépannage
Un "E" ou un "d" apparaît dans l'affichage de la température.	L'électronique a détecté un défaut. <ol style="list-style-type: none"> 1. Éteignez l'appareil. → <i>Page 41</i> 2. Débranchez l'appareil du secteur. Retirez la fiche du cordon d'alimentation secteur ou désactivez le fusible dans le boîtier à fusibles. 3. Raccordez à nouveau l'appareil après 5 minutes. 4. Si ce message persiste, contactez le service après-vente. → <i>"Service à la clientèle", Page 58</i>
"alarm" clignote et une alarme sonore retentit. L'alarme de porte est activée.	La porte de l'appareil est ouverte. <ul style="list-style-type: none"> ▶ Fermez la porte de l'appareil.
Une alarme sonore retentit, l'affichage de la température (congélateur) et "alarm" clignotent. L'alarme de température est activée.	Ce problème peut avoir de nombreuses causes. <ol style="list-style-type: none"> 1. Appuyez sur alarm. ✓ L'alarme s'éteint. 2. Vérifiez après quelques heures si la température réglée dans le compartiment congélation a de nouveau été atteinte. <hr/> Les orifices de ventilation extérieurs sont recouverts. <ul style="list-style-type: none"> ▶ Retirez les obstacles situés devant les orifices de ventilation extérieurs. <hr/> L'appareil est rempli de grandes quantités de produits alimentaires frais. <ul style="list-style-type: none"> ▶ Éteignez Super-congélation avant d'entreposer une plus grande quantité d'aliments. → <i>"Allumez la Super-congélation", Page 42</i>
Tous les affichages de température et "alarm" s'allument.	Un capteur est défectueux. <ul style="list-style-type: none"> ▶ Appelez le service après-vente. → <i>"Service à la clientèle", Page 58</i>
La température dévie fortement par rapport au réglage.	Ce problème peut avoir de nombreuses causes. <ol style="list-style-type: none"> 1. Éteignez l'appareil. → <i>Page 41</i> 2. Allumez à nouveau l'appareil après env. 5 minutes. → <i>Page 40</i> <ul style="list-style-type: none"> – Si la température est trop élevée, vérifiez-la à nouveau au bout de quelques heures. – Si la température est trop basse, vérifiez-la à nouveau le jour suivant.
De l'eau fuit de l'appareil.	Le raccord d'eau ou le tuyau d'eau n'est pas étanche. <ul style="list-style-type: none"> ▶ Assurez-vous que les raccordements d'eau sont bien serrés et que le tuyau d'eau n'est pas endommagé. Si nécessaire, remplacez le tuyau d'eau. <hr/> Le bac de récupération déborde. <ul style="list-style-type: none"> ▶ Nettoyez la cuvette d'égouttage. → <i>Page 49</i>
La distribution d'eau est réduite.	La pression de l'eau est basse. <ul style="list-style-type: none"> ▶ Vérifiez la pression d'eau au niveau de l'alimentation en eau ou du système de filtre à eau externe, par exemple, l'installation d'osmose inverse. Raccordez l'appareil uniquement à un raccordement d'eau ayant une pression suffisante. → <i>Page 35</i> <hr/> Le filtre à eau est bouché. <ul style="list-style-type: none"> ▶ Changez le filtre à eau. → <i>Page 46</i>
De l'eau s'égoutte du distributeur d'eau et de glace.	Le système hydraulique contient de l'air. <ul style="list-style-type: none"> ▶ Retirez de l'eau jusqu'à ce qu'il n'y ait plus d'air. <hr/> Les résidus de glace fondent dans la goulotte à glace.

Défaut	Cause et dépannage
De l'eau s'égoutte du distributeur d'eau et de glace.	<p>▶ Retirez les restes de glace de la goulotte à glace, par ex. avec une cuillère en bois.</p> 
De l'eau condensée se forme au niveau de l'ouverture de distribution de la réserve à glaçons et du bac à glace.	<p>L'eau contenue dans l'air chaud et humide se condense sur les surfaces plus froides de l'appareil.</p> <p>▶ N'ouvrez pas la porte de l'appareil inutilement.</p> <p>Les résidus de glace fondent dans la goulotte à glace.</p> <ol style="list-style-type: none"> 1. Essuyez l'eau de condensation avec un chiffon sec et doux. 2. Ouvrez l'appareil le plus brièvement possible. 3. Veillez à ce que l'appareil soit toujours correctement fermé.
Les glaçons sont produits en quantité insuffisante.	<p>L'appareil a été raccordé.</p> <p>▶ Patientez environ 4 heures jusqu'à ce que la première production de glaçons soit prête.</p> <p>Le compartiment congélation a été ouvert fréquemment ou pendant une longue période.</p> <p>▶ Vérifiez au bout de quelques heures la production de glaçons.</p> <p>La pression de l'eau est basse.</p> <p>▶ Vérifiez la pression d'eau au niveau de l'alimentation en eau ou du système de filtre à eau externe, par exemple, l'installation d'osmose inverse.</p> <p>Raccordez l'appareil uniquement à un raccordement d'eau ayant une pression suffisante. → <i>Page 35</i></p>
Le distributeur d'eau et de glace ne fonctionne pas.	<p>Le filtre à eau est bouché.</p> <p>▶ Changez le filtre à eau. → <i>Page 46</i></p> <p>La production de glaçons est désactivée.</p> <p>▶ Lancez la production de glaçons.</p> <p>Le verrouillage des touches est activé</p> <p>▶ Désactivez le verrouillage des touches. → <i>Page 41</i></p> <p>Le bac à glaçons n'est pas entièrement monté.</p> <p>▶ Montez complètement le bac à glaçons. → <i>Page 50</i></p> <p>Les glaçons se sont soudés entre eux dans la goulotte à glace.</p> <p>▶ Retirez les glaçons de la goulotte à glace, par ex. avec une cuillère en bois.</p> 
	<p>La pression de l'eau est basse.</p> <p>▶ Vérifiez la pression d'eau au niveau de l'alimentation en eau ou du système de filtre à eau externe, par exemple, l'installation d'osmose inverse.</p>

Défaut	Cause et dépannage
Le distributeur d'eau et de glace ne fonctionne pas.	<p>Raccordez l'appareil uniquement à un raccordement d'eau ayant une pression suffisante. → <i>Page 35</i></p> <hr/> <p>Le filtre à eau est bouché.</p> <ul style="list-style-type: none"> ▶ Changez le filtre à eau. → <i>Page 46</i> <hr/> <p>Aucune alimentation en eau.</p> <ul style="list-style-type: none"> ▶ Assurez-vous qu'il y a une alimentation en eau et que la vanne d'arrêt sur le raccordement d'eau est ouverte. <p>Contactez un installateur si nécessaire.</p> <hr/> <p>Le tube d'entrée est plié.</p> <ul style="list-style-type: none"> ▶ Fermez l'alimentation en eau et redressez le coude du tuyau d'eau. <p>Si nécessaire, remplacez le tuyau d'eau.</p> <hr/> <p>Dysfonctionnement du distributeur d'eau et de glace.</p> <ol style="list-style-type: none"> 1. Éteignez l'appareil. → <i>Page 41</i> 2. Débranchez l'appareil du secteur. <p>Retirez la fiche du cordon d'alimentation secteur ou désactivez le fusible dans le boîtier à fusibles.</p> <ol style="list-style-type: none"> 3. Raccordez à nouveau l'appareil après 5 minutes. 4. Si le dysfonctionnement persiste, appelez le Service après-vente. → <i>Page 58</i>
L'appareil vrombit, fait des bulles, des bourdonnements, des cliquetis, des claquements ou des grondements.	<p>Il ne s'agit pas d'un défaut. Un moteur tourne, par ex. groupe frigorifique, ventilateur. Du fluide frigorigène circule dans les tuyaux. Le moteur, les interrupteurs, les électrovannes et les vannes à eau s'allument ou s'éteignent. Le dégivrage automatique est en cours. Les glaçons tombent dans le bac à glaçons. Aucune action nécessaire.</p>
L'appareil émet des bruits.	<p>L'appareil ne repose pas d'aplomb.</p> <ul style="list-style-type: none"> ▶ Nivelez l'appareil à l'aide d'un niveau à bulle et des pieds à vis. <hr/> <p>L'appareil n'est pas posé de manière indépendante.</p> <ul style="list-style-type: none"> ▶ Respectez les distances minimales de l'appareil. <hr/> <p>Les pièces d'équipement vacillent ou se coincent.</p> <ul style="list-style-type: none"> ▶ Vérifiez les pièces d'équipement amovibles et remettez-les éventuellement en place correctement. <hr/> <p>Des bouteilles ou récipients se touchent.</p> <ul style="list-style-type: none"> ▶ Écartez les récipients ou bouteilles les uns des autres. <hr/> <p>La fonction Super-congélation est activée.</p> <p>Aucune action nécessaire.</p>

16.1 Panne de courant

En cas de panne de courant, la température à l'intérieur de l'appareil augmente, ce qui raccourcit la durée de conservation et réduit la qualité des aliments congelés.

Remarques

- Ouvrez l'appareil le moins possible en cas de panne de courant et ne stockez pas d'autres aliments.

- Vérifiez la qualité des aliments immédiatement après la panne de courant.
 - Jetez les aliments congelés qui sont décongelés et dont la température est supérieure à 41 °F (5 °C).
 - Faites bouillir ou frire des aliments congelés légèrement décongelés et consommez-les ou recongelez-les.

16.2 Effectuer l'auto-test de l'appareil

Votre appareil dispose d'un autotest qui indique les dysfonctionnements auxquels votre service après-vente peut remédier.

1. Éteindre l'appareil. → *Page 41*

2. Débranchez l'appareil du réseau électrique.

Retirez la fiche du cordon d'alimentation secteur ou désactivez le fusible dans la boîte à fusibles.

- Raccordez l'appareil à l'alimentation électrique après 5 minutes. → *Page 36*
- ✓ La bandeau de commande affiche une animation et est verrouillé.
- Une minute après la mise sous tension, maintenez enfoncé **super** (réfrigérateur) pendant 3 à 5 secondes, jusqu'à ce qu'un signal sonore retentisse.
- ✓ L'auto-test de l'appareil démarre.
- ✓ Si, à la fin de l'auto-test, 2 signaux sonores retentissent et que l'affichage de la température indique la température réglée, cela signifie que les capteurs de température de votre appareil fonctionnent correctement. L'appareil revient en fonctionnement normal.
- ✓ Si vous entendez 5 signaux sonores à la fin de l'autotest de l'appareil, contactez le service après-vente.
- Appuyer sur **super** (congélateur) pour que l'appareil passe en fonction normale.
- ✓ Les affichages de la température indiquent les températures réglées → *Page 41*.

17 Entreposage et mise au rebut

17.1 Mettre l'appareil hors service

- Éteindre l'appareil. → *Page 41*
- Débranchez l'appareil du réseau électrique.
Retirez la fiche du cordon d'alimentation secteur ou désactivez le fusible dans la boîte à fusibles.
- Débranchez l'appareil du raccordement à l'eau potable.
- Retirez tous les aliments.
- Démontez le filtre à eau. → *Page 46*
- Nettoyez l'appareil. → *Page 48*
- AVIS** : Des objets coincés entre la porte et la boîte à risque d'endommager la charnière de porte.
 - ▶ Ouvrez la porte jusqu'à ce qu'elle reste ouverte d'elle-même.
 - ▶ Ne coinciez aucun objet entre la porte et la boîte.Afin de garantir la ventilation de l'espace intérieur, laissez l'appareil ouvert.

17.2 Éliminer un appareil usagé

L'élimination dans le respect de l'environnement permet de récupérer de précieuses matières premières.

AVERTISSEMENT

- Les enfants risquent de s'enfermer dans l'appareil et de mettre leur vie en danger.
- ▶ Retirez les portes et le tiroir de l'appareil.
 - ▶ Pour compliquer la pénétration des enfants dans l'appareil, ne retirez pas les clayettes et les bacs.
 - ▶ Éloignez les enfants de l'appareil qui a cessé de servir.

AVERTISSEMENT

En cas d'endommagement des tuyaux, du fluide frigorigène inflammable et des gaz nocifs peuvent s'échapper et s'enflammer.

- ▶ Veillez à ne pas endommager les tubulures du circuit frigorigère, ni l'isolant.
- Débranchez la fiche du secteur.
 - Coupez le câble de raccordement secteur.
 - Retirez les portes et le tiroir de l'appareil.
 - Éliminez l'appareil dans le respect de l'environnement.
Pour connaître les circuits d'élimination actuels, veuillez vous adresser à votre revendeur ou à votre administration municipale.

18 Service à la clientèle

Lors de toute réparation réalisée dans le cadre de la garantie, nous nous assurons que votre appareil est réparé avec des pièces de rechange d'origine par un technicien dûment formé et agréé. Nous utilisons exclusivement des pièces de rechange d'origine lors des réparations.

Pour plus d'informations sur la durée et les conditions de la garantie dans votre pays, consultez nos modalités de garantie auprès de votre détaillant ou sur notre site Web. Si vous contactez le service à la clientèle, indiquez le numéro de modèle (E-Nr.), le numéro de fabrication (FD) et le numéro de comptage (Z-Nr.) de l'appareil.

USA:

1-800-944-2904

www.bosch-home.com/us/owner-support/get-support

www.bosch-home.com/us/shop

CA:

1-800-944-2904

www.bosch-home.ca/en/service/get-support

www.bosch-home.ca/en/service/cleaners-and-accessories

Vous trouverez également de l'aide pour contacter

Home Connect® à l'adresse suivante :

www.home-connect.com/us/en/help-support/set-up

18.1 Numéro de modèle (E-Nr.), numéro de fabrication (FD) et numéro de comptage (Z-Nr.)

Le numéro de modèle (E-Nr.), le numéro de fabrication (FD) et le numéro de comptage (Z-Nr.) sont indiqués sur la plaque signalétique de l'appareil.

→ "Appareil", Fig. , *Page 38*

Pour retrouver rapidement les données de votre appareil et le numéro de téléphone du service à la clientèle, n'hésitez pas à les recopier ailleurs.

19 Données techniques

La plaque signalétique mentionne le fluide frigorigère, le volume net ainsi que d'autres données techniques.

→ "Appareil", Fig. , *Page 38*

19.1 Informations sur le logiciel libre

Ce produit comprend des composants logiciels distribués à titre de logiciel libre par le détenteur du droit d'auteur. Les informations de licence correspondantes sont énoncées sur l'électroménager. Il est également possible d'accéder aux informations de licence via l'application Home Connect®; « Profil -> Consignes légales -> Informations de licence ». ¹ Vous pouvez télécharger les informations de licence sur le site Web du produit de marque. (Veuillez rechercher votre modèle d'appareil et la documentation connexe sur le site Web du produit.) Vous pouvez également demander les informations nécessaires par courriel à l'adresse ossrequest@bshg.com ou par courrier à l'adresse BSH Hausgeräte GmbH, Carl-Wery-Str. 34, D-81739 München.

Le code source vous sera mis à votre disposition sur demande.

Veuillez envoyer votre demande par courriel à l'adresse ossrequest@bshg.com ou par courrier à l'adresse BSH Hausgeräte GmbH, Carl-Wery-Str. 34, D-81739 München. Objet : „OSSREQUEST“

Les coûts de traitement de votre demande vous seront facturés. Cette offre est valide pour une durée de trois ans à compter de la date d'achat ou du moins pour la période durant laquelle nous offrons la prise en charge et des pièces de rechange pour l'appareil correspondant.

¹ selon l'équipement de l'appareil

Para más información, consulte la Guía del usuario digital.



Tabla de contenidos

1 Seguridad	62	7.4 Ajustar la unidad de temperatura.....	71
1.1 Definiciones de seguridad	62	7.5 Ajustar la temperatura	71
1.2 Indicaciones generales	62	7.6 Bloqueo de teclas.....	71
1.3 Uso previsto	62	8 Funciones adicionales	72
1.4 Limitación del grupo de usuarios.....	62	8.1 Superfrío	72
1.5 Transporte seguro.....	62	8.2 Supercongelación.....	72
1.6 Instalación segura	62	8.3 Modo Sabbat.....	72
1.7 Uso seguro	63	8.4 Notificación de cambio de filtro.....	72
1.8 Aparato dañado	64	9 Alarma	73
1.9 Advertencias en virtud de la Proposición 65 del estado de California	64	9.1 Alarma de la puerta	73
2 Evitar daños materiales	65	9.2 Alarma de temperatura.....	73
3 Protección del medio ambiente y ahorro	65	10 Home Connect®	73
3.1 Consejos para la eliminación del embalaje	65	10.1 Configurar la aplicación Home Connect®.....	73
3.2 Ahorrar energía.....	65	10.2 Configurar Home Connect®	73
4 Instalación y conexión	66	10.3 Activar la conexión con la red doméstica WLAN (Wi-Fi)	74
4.1 Material entregado	66	10.4 Desactivar la conexión con la red doméstica WLAN (Wi-Fi)	74
4.2 Requisitos para seleccionar el lugar de colocación	66	10.5 Instalar la actualización de software de Home Connect®.....	74
4.3 Instalación del aparato	66	10.6 Restablecer los ajustes de Home Connect®	74
4.4 Preparar el aparato para el primer uso.....	66	10.7 Diagnóstico Remoto	74
4.5 Conectar el aparato a la toma de agua	66	10.8 Protección de datos.....	74
4.6 Conectar el aparato a la red eléctrica.....	66	11 Compartimiento de refrigeración	74
5 Familiarizándose con el aparato	67	11.1 Consejos para el almacenamiento de alimentos en el compartimiento de refrigeración.....	74
5.1 Aparato	67	11.2 Zonas de frío del compartimiento de refrigeración	75
5.2 Panel de control	68	12 Congelador	75
5.3 Panel de control (submenú)	69	12.1 Consejos para colocar los alimentos en el congelador	75
5.4 Controles (dispensador de hielo y agua)	69	12.2 Consejos para congelar alimentos frescos	75
6 Equipamiento	69	12.3 Métodos de descongelación para productos congelados.....	75
6.1 Bandeja.....	69	13 Sistema de agua	75
6.2 Recipiente de almacenamiento	69	13.1 Filtro de agua	76
6.3 Cajón para fruta y verdura con regulador de humedad.....	69	13.2 Dispensador de hielo y agua	77
6.4 Separador de compartimientos	70	14 Descongelación	78
6.5 Cajón deslizante de productos congelados	70	14.1 Desescarchar el compartimiento de refrigeración..	78
6.6 Recipiente suspendido para productos congelados	70	14.2 Descongelación dentro del congelador.....	78
6.7 Estantes de la puerta para botellas	70	15 Limpieza y cuidados	78
6.8 Depósito para cubitos de hielo	70	15.1 Preparar el aparato para su limpieza.....	78
7 Manejo básico	71	15.2 Limpiar el aparato.....	79
7.1 Encender el aparato.....	71		
7.2 Advertencias relativas al funcionamiento del aparato.....	71		
7.3 Apagar el aparato	71		

15.3 Limpiar la bandeja de goteo	79
15.4 Retirar elementos del aparato	79
15.5 Desmontar los componentes del aparato	81
16 Solucionar pequeñas averías.....	85
16.1 Interrupción del suministro eléctrico	88
16.2 Ejecutar la autocomprobación del aparato	88
17 Almacenamiento y eliminación.....	89
17.1 Interrumpir el funcionamiento del aparato	89
17.2 Eliminación de los aparatos usados	89
18 Servicio de atención al cliente.....	89
18.1 Número de modelo (E-Nr.), número de fabricación (FD) y número de conteo (Z-Nr.)	89
19 Datos técnicos	90
19.1 Informaciones referentes al software libre y de código abierto	90



INSTRUCCIONES DE SEGURIDAD IMPORTANTES

LEA Y CONSERVE ESTAS INSTRUCCIONES

Tenga en cuenta las siguientes indicaciones de seguridad.

1.1 Definiciones de seguridad

Aquí puede encontrar explicaciones de las palabras de señal de seguridad utilizadas en este manual.

ADVERTENCIA

Esto indica que pueden producirse la muerte o heridas graves si no se cumple con esta advertencia.

PRECAUCIÓN

Esto indica que pueden producirse heridas leves o moderadas si no se cumple con esta advertencia.

AVISO:

Esto indica que pueden producirse daños en el aparato o en los bienes si no se cumple con este aviso.

Nota: Esto alerta sobre información o sugerencias importantes.

1.2 Indicaciones generales

- Lea atentamente estas instrucciones.
- Guarde las instrucciones y la información del producto para consultas posteriores o para el próximo propietario.
- El aparato no debe conectarse en caso de haber sufrido daños durante el transporte.

1.3 Uso previsto

Utilizar este aparato solo:

- para refrigerar y congelar alimentos, así como para preparar cubitos de hielo y extraer agua.
- en el uso doméstico privado y en espacios cerrados del entorno doméstico.
- hasta una altura de 13 100 ft (4000 m) sobre el nivel del mar.

1.4 Limitación del grupo de usuarios

Este aparato no está diseñado para ser utilizado por personas (incluidos niños) con capacidades físicas, sensoriales o mentales reducidas, o falta de experiencia y conocimiento, a menos que sean supervisados o instruidos acerca del uso del aparato por una persona responsable de su seguridad.

Impida que los niños jueguen con el aparato.

La limpieza y el cuidado del aparato a cargo del usuario no deberán ser efectuados por niños si no cuentan con la supervisión de una persona adulta responsable.

1.5 Transporte seguro

ADVERTENCIA

El elevado peso del aparato podría causar lesiones al levantarlo.

- ▶ Levantar el aparato solamente con ayuda de otra persona.

1.6 Instalación segura

ADVERTENCIA

Para evitar el riesgo de lesiones por reparaciones incorrectas, tenga en cuenta lo siguiente.

- ▶ Conectar y poner en funcionamiento el aparato solo de conformidad con los datos que figuran en la placa de características.
- ▶ Conectar el aparato solo a una fuente de alimentación con corriente alterna a través de una toma de corriente instalada reglamentariamente y provista de puesta a tierra.
- ▶ La conexión de puesta a tierra de la instalación eléctrica doméstica debe estar instalada de acuerdo con las normas vigentes.
- ▶ No alimentar nunca el aparato a través de un dispositivo de conmutación externo, como por ejemplo, un reloj avisador o un mando remoto.
- ▶ Cuando el aparato esté montado, el enchufe del cable de conexión a la red debe quedar accesible, o, en caso de que no sea posible, debe haberse instalado un dispositivo de separación en la instalación eléctrica fija según lo dispuesto en las normas de instalación.
- ▶ Al instalar el aparato debe prestarse atención a que el cable de conexión de red no quede atrapado ni se dañe.

Para evitar el riesgo de lesiones por el aislamiento dañado del cable de alimentación, tenga en cuenta lo siguiente.

- ▶ Evite que el cable de conexión de red entre en contacto con fuentes de calor.



INSTRUCCIONES DE SEGURIDAD IMPORTANTES

LEA Y CONSERVE ESTAS INSTRUCCIONES

ADVERTENCIA

Si las aberturas de ventilación del aparato se encuentran cerradas, puede generarse una mezcla inflamable de aire y gas en caso de una fuga del circuito de enfriamiento.

- ▶ No cerrar las aberturas de ventilación de la carcasa del aparato o de la carcasa de la instalación.

ADVERTENCIA

Para evitar el riesgo de lesiones por un cable de alimentación alargado y adaptadores no aprobados, tenga en cuenta lo siguiente.

- ▶ No utilizar cables de prolongación ni regletas de tomas de corriente múltiples.
- ▶ Utilizar solo adaptadores y cables de conexión de red autorizados por el fabricante.
- ▶ Si el cable de conexión de red es demasiado corto y no hay disponible ningún cable de mayor longitud, ponerse en contacto con un técnico electricista para adaptar la instalación doméstica.

Las unidades de alimentación o las tomas de corriente múltiples, móviles, pueden sobrecalentarse y provocar incendios.

- ▶ No colocar las unidades de alimentación o las tomas de corriente múltiples móviles en la parte posterior de los aparatos.

1.7 Uso seguro

ADVERTENCIA

La penetración de humedad puede causar una descarga eléctrica.

- ▶ El aparato solo debe utilizarse en espacios interiores.
- ▶ No exponer el aparato a fuentes intensas de calor y humedad.
- ▶ No utilizar limpiadores por chorro de vapor ni de alta presión para limpiar el aparato.

ADVERTENCIA

Los niños pueden ponerse el material de embalaje por encima de la cabeza, o bien enrollarse en él, y asfixiarse.

- ▶ Mantener el material de embalaje fuera del alcance de los niños.
- ▶ No permita que los niños jueguen con el material de embalaje.

Los niños pueden inhalar o ingerir pequeñas piezas y asfixiarse.

- ▶ Mantener las piezas pequeñas fuera del alcance de los niños.

- ▶ No permita que los niños jueguen con piezas pequeñas.

ADVERTENCIA

Si se daña el circuito de refrigeración, puede escaparse líquido refrigerante inflamable y explotar.

- ▶ Para acelerar la descongelación, no utilizar ningún otro dispositivo mecánico u otro medio distinto a los recomendados por el fabricante.

- ▶ Separar los alimentos congelados adheridos con un objeto como el mango de una cuchara de madera.

Los productos que contienen gases propelentes o inflamables y las materias explosivas pueden causar una explosión (por ejemplo, aerosoles).

- ▶ No guardar productos que contengan gases propelentes o inflamables ni materias explosivas en el aparato.

ADVERTENCIA

Los dispositivos eléctricos en el interior del aparato pueden provocar incendios (por ejemplo, calefactores, fábricas de hielo, etc.).

- ▶ No poner en funcionamiento dispositivos eléctricos en el interior del aparato.

ADVERTENCIA

Los envases con bebidas carbonatadas pueden estallar.

- ▶ No almacenar envases con bebidas carbonatadas en el congelador.

Riesgo de lesiones en los ojos debido a la salida de líquido refrigerante inflamable y gases nocivos.

- ▶ No dañe las tuberías del circuito de refrigeración y aislamiento.

El aparato puede volcar.

- ▶ No pisar ni apoyarse sobre el pedestal, cajones o puertas.

ADVERTENCIA

El contacto con productos congelados y superficies frías puede provocar quemaduras por el frío.

- ▶ No introducir nunca en la boca directamente los alimentos congelados extraídos del congelador.
- ▶ Evitar el contacto prolongado de la piel con los alimentos congelados, el hielo y las superficies del congelador.



INSTRUCCIONES DE SEGURIDAD IMPORTANTES

LEA Y CONSERVE ESTAS INSTRUCCIONES

PRECAUCIÓN

Para evitar la contaminación de los alimentos, se deben tener en cuenta las siguientes indicaciones.

- ▶ Si se abre la puerta durante un tiempo prolongado, se puede producir un aumento considerable de la temperatura en los compartimientos del aparato.
- ▶ Limpiar regularmente las superficies que puedan entrar en contacto con alimentos y sistemas de drenado accesibles.
- ▶ Enjuagar el sistema de agua si no se ha extraído agua durante cinco días.
- ▶ Guardar el pescado y la carne cruda en recipientes apropiados en el refrigerador con el fin de que no entren en contacto con otros alimentos ni goteen sobre ellos.
- ▶ Si el refrigerador/congelador está vacío durante mucho tiempo, apagar, descongelar, limpiar y dejar la puerta abierta para evitar la creación de moho.

Las piezas metálicas o con aspecto metálico pueden contener aluminio. Si algún alimento ácido entra en contacto con el aluminio presente en el aparato, los iones de aluminio podrían traspasarse a los alimentos.

- ▶ No consumir alimentos contaminados.

1.8 Aparato dañado

ADVERTENCIA

Para evitar el riesgo de lesiones por un aparato o cable de alimentación dañado, tenga en cuenta lo siguiente.

- ▶ No poner nunca en funcionamiento un aparato dañado.
- ▶ No jalar nunca el cable de conexión a la red eléctrica para desenchufar el aparato. Desenchufar siempre el cable de conexión de red de la toma de corriente.
- ▶ Si el aparato o el cable de conexión de red están dañados, desenchufar inmediatamente el cable de conexión de red o desconectar el fusible de la caja de fusibles y cerrar la llave del agua.
- ▶ Llamar al servicio de atención al cliente. → *Página 89*

Para evitar riesgos de lesiones derivadas de reparaciones inadecuadas, se recomienda seguir las siguientes indicaciones.

- ▶ Únicamente los técnicos especialistas o los proveedores de servicios autorizados deben llevar a cabo reparaciones.
- ▶ Solo se pueden utilizar repuestos originales para reparar el aparato.

- ▶ Si el cable de conexión de red o el cable de conexión de este aparato resulta dañado, debe ser sustituido por un cable especial de conexión de red o por un cable especial de conexión para este aparato que puede obtenerse a través del fabricante o de su servicio de atención al cliente.

ADVERTENCIA



Si las tuberías están dañadas, se puede escapar refrigerante inflamable y gases nocivos, lo que puede provocar un incendio.

- ▶ Mantener las fuentes de fuego o focos de ignición alejados del aparato.
- ▶ Ventilar la estancia.
- ▶ Apagar el aparato. → *Página 71*
- ▶ Extraer el enchufe del cable de conexión de red o quitar el fusible de la caja de fusibles.
- ▶ Llamar al servicio de atención al cliente. → *Página 89*

1.9 Advertencias en virtud de la Proposición 65 del estado de California

Este producto puede contener un químico que el Estado de California reconoce como potencialmente cancerígeno o causante de daños reproductivos. Por tanto, su producto debe llevar en su embalaje la siguiente etiqueta de conformidad con la legislación de California:

**STATE OF CALIFORNIA PROPOSITION 65 WARNING: /
AVERTISSEMENT ISSUE DE LA PROPOSITION 65
DE L'ÉTAT DE LA CALIFORNIE:**

 **WARNING /
AVERTISSEMENT**

Cancer and Reproductive Harm / Cancer et dommages à la reproduction - www.P65Warnings.ca.gov.

2 Evitar daños materiales

AVISO:

Al desplazar el aparato, debido a su elevado peso o la inclinación de las ruedas del aparato, el piso puede resultar dañado.

- ▶ Transportar el aparato con una carretilla para sacos.
- ▶ Proteger el piso con algo cuando se vaya a desplazar el aparato y no volverlo en zigzag.

Al cerrar la puerta del aparato, este puede resultar dañado si el montante de puerta está abierto.

- ▶ No debe abrirse el montante de puerta manualmente.
- ▶ Si el montante de puerta está abierto, este debe cerrarse antes de cerrar la puerta del aparato.

Al subirse o apoyarse sobre el aparato, pedestales, cajones o puertas, se puede dañar el aparato.

- ▶ No pisar ni apoyarse sobre el aparato, pedestal, cajones ni puertas.

Una presión de agua demasiado baja o elevada puede influir negativamente en el funcionamiento del aparato.

- ▶ Es preciso asegurarse de que la presión de agua del dispositivo de suministro de agua sea de 29 psi (200 kPa) como mínimo y de 116 psi (800 kPa) como máximo.
- ▶ Si la presión del agua excede el valor máximo indicado, se debe instalar una válvula de reducción de presión entre la toma de agua y el juego de mangueras del aparato.

Las mangueras de agua modificadas o dañadas pueden causar daños a la propiedad o al aparato.

- ▶ No doblar, aplastar, modificar ni cortar las mangueras de agua.
- ▶ No reutilizar nunca las mangueras de agua ya usadas.
- ▶ No jalar nunca la manguera de agua de la parte trasera del aparato.

La suciedad con aceite o grasa puede crear poros en las piezas de plástico y las juntas de las puertas.

- ▶ Mantener las piezas de plástico y juntas de goma limpias de aceites y grasas.

Las piezas metálicas o con aspecto metálico pueden contener aluminio. En contacto con comida ácida, el aluminio se corroe y decolora.

- ▶ En el aparato, solo se puede guardar comida envasada. Si se lavan los elementos y accesorios del aparato en el lavavajillas, estos podrían deformarse o decolorarse.
- ▶ No lavar nunca los elementos y accesorios del aparato en el lavavajillas.

3 Protección del medio ambiente y ahorro

3.1 Consejos para la eliminación del embalaje

Todos los materiales del embalaje son ecológicos y reciclables.

- ▶ Desechar los diferentes materiales separados según su naturaleza.

3.2 Ahorrar energía

Si tiene en cuenta estas indicaciones, su aparato consumirá menos corriente.

Selección del lugar de colocación

- Proteger el aparato de la radiación solar directa.
- Instalar el aparato con la mayor distancia posible respecto a radiadores, hornos y otras fuentes de calor:
 - Mantener una distancia de 1¹/₄" (30 mm) respecto a estufas de gas o eléctricas.
 - Mantener una distancia de 11¹³/₁₆" (300 mm) respecto a hornos de carbón o aceite.
- No cubrir ni obstruir nunca las aberturas de ventilación exteriores.

Ahorro de energía durante el funcionamiento

Nota: La disposición de las piezas de equipo no influye en el consumo de energía de aparato.

- Abrir brevemente el aparato y cerrarlo correctamente.
- No cubrir ni bloquear nunca las aberturas de ventilación interiores ni las aberturas de ventilación exteriores.
- Transportar los alimentos en una bolsa isotérmica y colocarlos inmediatamente en el congelador.
- Dejar enfriar los alimentos o bebidas calientes hasta la temperatura ambiente antes de almacenarlos.
- Descongelar los productos congelados en el interior del compartimiento de refrigeración para aprovechar el frío desprendido por los mismos.
- Dejar siempre un poco de espacio entre los alimentos y el panel posterior.
- Aspirar el polvo de las rejillas de ventilación exteriores.

Modo de ahorro energético del panel de control

Si el aparato no se utiliza, el panel de control pasa automáticamente al modo de ahorro energético.

En el modo de ahorro energético del panel de control, la opción de dispensador de hielo y agua es visible con brillo reducido.

Notas

- Cuando Superfrío está activada, se ilumina "super" (compartimiento de refrigeración).
- Cuando Supercongelación está activada, se ilumina "super" (congelador).

Tan pronto como se utilice el panel de control, se presione el interruptor de extracción o se abra la puerta, se desactivará el modo de ahorro energético del panel de control.

4 Instalación y conexión

4.1 Material entregado

Después de desembalar el aparato, verificar que ninguna pieza haya sufrido daños durante el transporte y que el volumen de suministro esté completo.

Si tiene alguna queja deberá dirigirse al distribuidor en donde adquirió su electrodoméstico o a nuestro servicio de atención al cliente → *Página 89*.

El alcance de la entrega consta de:

- Aparato de libre instalación
- Equipamiento y accesorios¹
- Material para instalación
- Instrucciones de instalación
- Manual de instrucciones
- Declaración de garantía limitada del producto
- Documento de la garantía²
- Etiqueta energética
- Información acerca de Home Connect®

4.2 Requisitos para seleccionar el lugar de colocación

ADVERTENCIA

Si el aparato se encuentra en un espacio demasiado pequeño, puede generarse una mezcla inflamable de aire y gas en caso de una fuga del circuito de enfriamiento.

- ▶ Colocar el aparato en espacios que tengan un volumen mínimo de 35 pies cúbicos (1 m³) por 0.3 oz (8 g) de líquido refrigerante. La cantidad de refrigerante se indica en la placa de características. → *"Aparato", Fig.*

 *Página 68*

El peso de fábrica del aparato puede alcanzar, en función del modelo concreto, hasta las 335 lb (150 kg).

Para soportar el peso del dispositivo, la superficie debe ser lo suficientemente estable.

La superficie debe estar nivelada.

Colocación arriba y abajo o lado a lado

Si se desea instalar dos aparatos de refrigeración uno encima del otro, debe mantenerse una distancia mínima de 150 mm entre ambos. Para determinados aparatos, es posible una instalación sin distancia mínima. En este sentido, consultar con un distribuidor especializado o planificador de cocinas.

4.3 Instalación del aparato

- ▶ Instalar el aparato siguiendo las instrucciones de instalación adjuntas.

4.4 Preparar el aparato para el primer uso


1. Retirar el material informativo.
2. Retirar las láminas protectoras y los seguros de transporte, p. ej., la cinta adhesiva y la caja.
3. Efectuar una primera limpieza del aparato.
→ *Página 79*

4.5 Conectar el aparato a la toma de agua

Requisitos

- Se debe instalar una válvula de cierre en la conexión a la toma de agua y se debe poder acceder libremente a ella una vez instalado el aparato.
 - Se debe comprobar la conexión a la toma de agua, y que el agua es de calidad.
 - La manguera de desagüe tiene una junta anular.
1. Extraer agua de la toma de agua de la instalación doméstica hasta que no salgan sedimentos ni esté turbia.
Instalar un sistema de filtro de agua exterior en caso de que haya sedimentos persistentes o el agua siga enturbada.
 2. Instalar la manguera de desagüe en el aparato según las instrucciones de montaje adjuntas.

4.6 Conectar el aparato a la red eléctrica

1. Enchufar el conector frío del cable de alimentación en el aparato.
2. El enchufe del cable de conexión de red del aparato debe conectarse a una toma de corriente con conexión a tierra cercana al aparato.
Los datos de conexión del aparato se encuentran en la placa de características. → *"Aparato", Fig. *, *Página 68*
3. Comprobar el asiento firme del enchufe.
 - ✓ El panel de control muestra una animación y se bloquea.
 - ✓ Cuando finaliza la animación, el aparato está listo para funcionar y se encienden las indicaciones de temperatura.

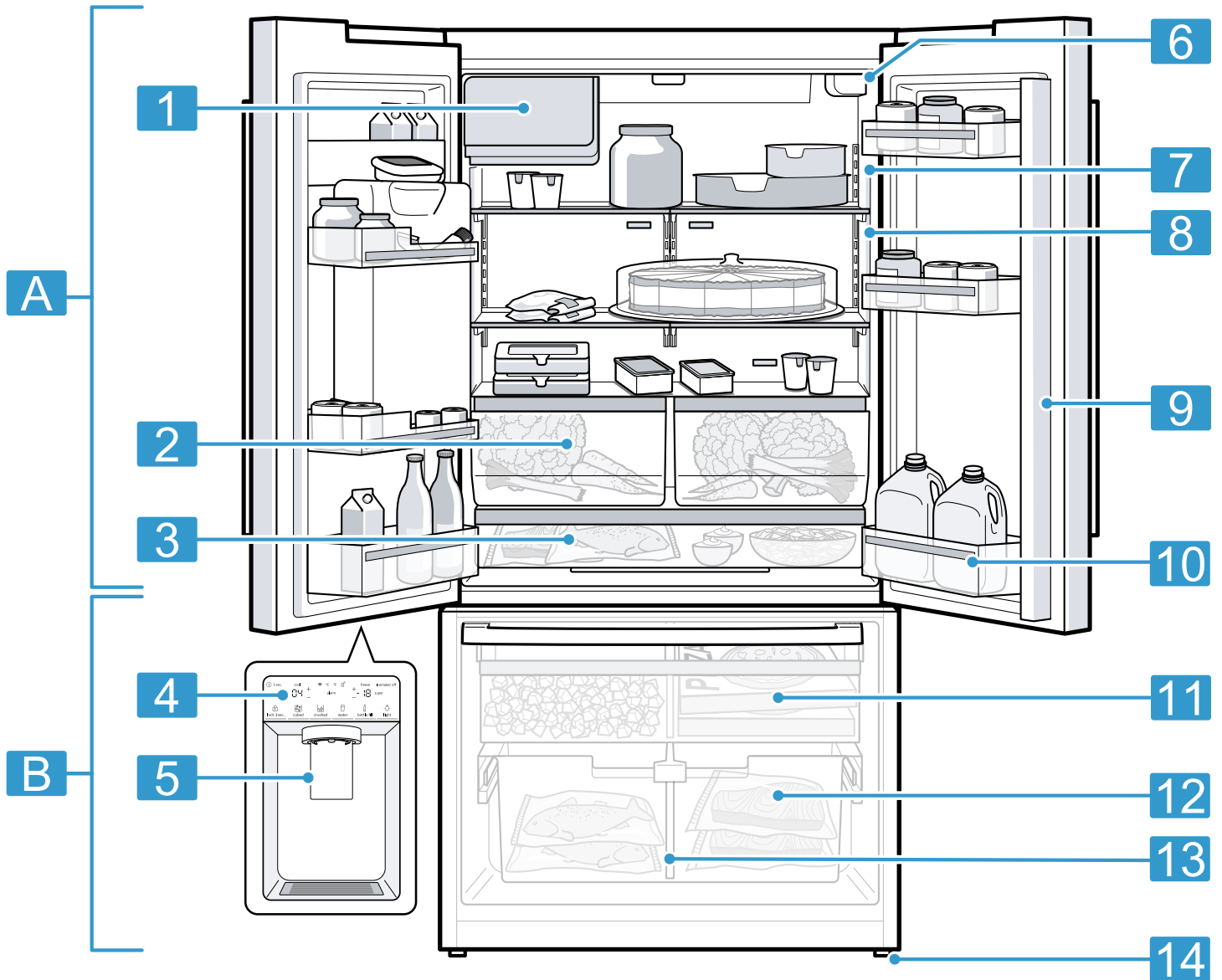
¹ Según el equipamiento del aparato

² No disponible en todos los países

5 Familiarizándose con el aparato

5.1 Aparato

Aquí encontrará una vista general de los componentes de su aparato.



1

Es posible que las ilustraciones muestren detalles y características de equipamiento y tamaño que no concuerdan con las de su aparato concreto.

A Compartimiento de refrigeración → *Página 74*

B Congelador → *Página 75*

1 Depósito para cubitos de hielo

2 Cajón para fruta y verdura con regulador de humedad → *Página 69*

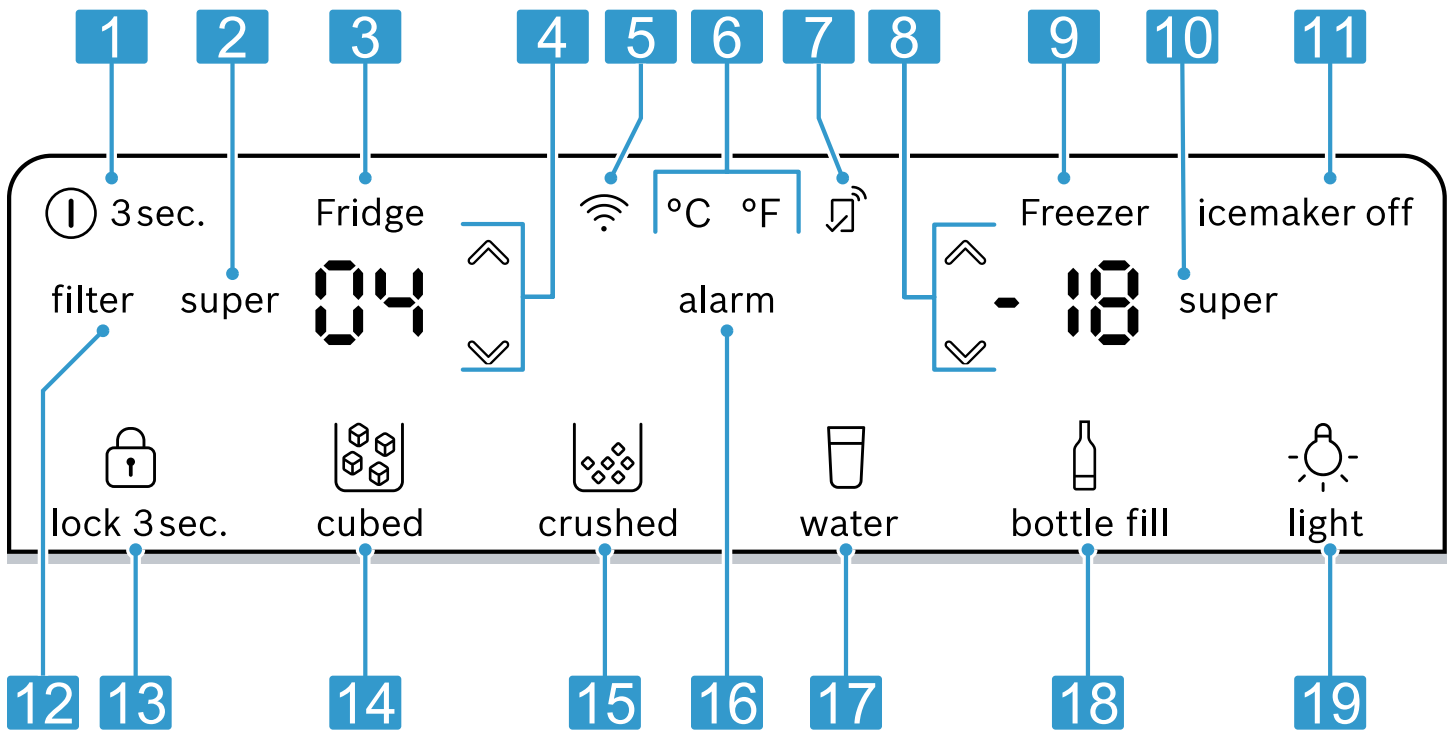
3 Recipiente de almacenamiento → *Página 69*

4	Panel de control → <i>Página 68</i>
5	Dispensador de hielo y agua → <i>Página 77</i>
6	Filtro de agua → <i>Página 76</i>
7	Iluminación interior
8	Placa de características → <i>Página 90</i>
9	Montante de puerta con protección contra condensación → <i>Página 65</i>


10	Estantes de la puerta para botellas grandes → <i>Página 70</i>
11	Cajón deslizante para productos congelados → <i>Página 70</i>
12	Recipiente suspendido para productos congelados → <i>Página 70</i>
13	Separador de compartimientos → <i>Página 70</i>
14	Pata atornillada

5.2 Panel de control

A través del panel de control se ajustan todas las funciones de su aparato y se obtiene información sobre el estado de funcionamiento.



- | | | | |
|----------|---|-----------|---|
| 1 | Ⓜ 3 sec. enciende y apaga el aparato. | 9 | Muestra la temperatura del compartimiento de congelación ajustada en °F o °C. |
| 2 | super (compartimiento de refrigeración) activa o desactiva Superfrío. | 10 | super (congelador) activa o desactiva Supercongelación. |
| 3 | Muestra la temperatura del compartimiento de refrigeración ajustada en °F o °C. | 11 | icemaker off activa o desactiva la producción de cubitos de hielo. |
| 4 | ↕/↕ (compartimiento de refrigeración) permiten ajustar la temperatura del compartimiento de refrigeración. | 12 | filter se ilumina cuando se debe cambiar el filtro. |
| 5 | 📶 activa o desactiva la conexión con la red doméstica WLAN (Wi-Fi). | 13 | 🔒 lock 3 sec. activa o desactiva el bloqueo de teclas del panel de control. |
| 6 | °C/°F cambia la unidad de temperatura. | 14 | 🧊 cubed ajusta el dispensador a cubitos de hielo. |
| 7 | 🔔 se ilumina cuando se establecen los ajustes definidos por el usuario mediante la aplicación Home Connect®. Para más información, consultar la aplicación Home Connect®. | 15 | 🧊 crushed ajusta el dispensador a hielo triturado. |
| 8 | ↕/↕ (congelador) permiten ajustar la temperatura del congelador. | 16 | alarm desactiva la señal acústica. |
| | | 17 | 🥛 water inicia el dispensador de agua. |
| | | 18 | 🍷 bottle fill ajusta el dispensador a una cantidad de agua determinada. |

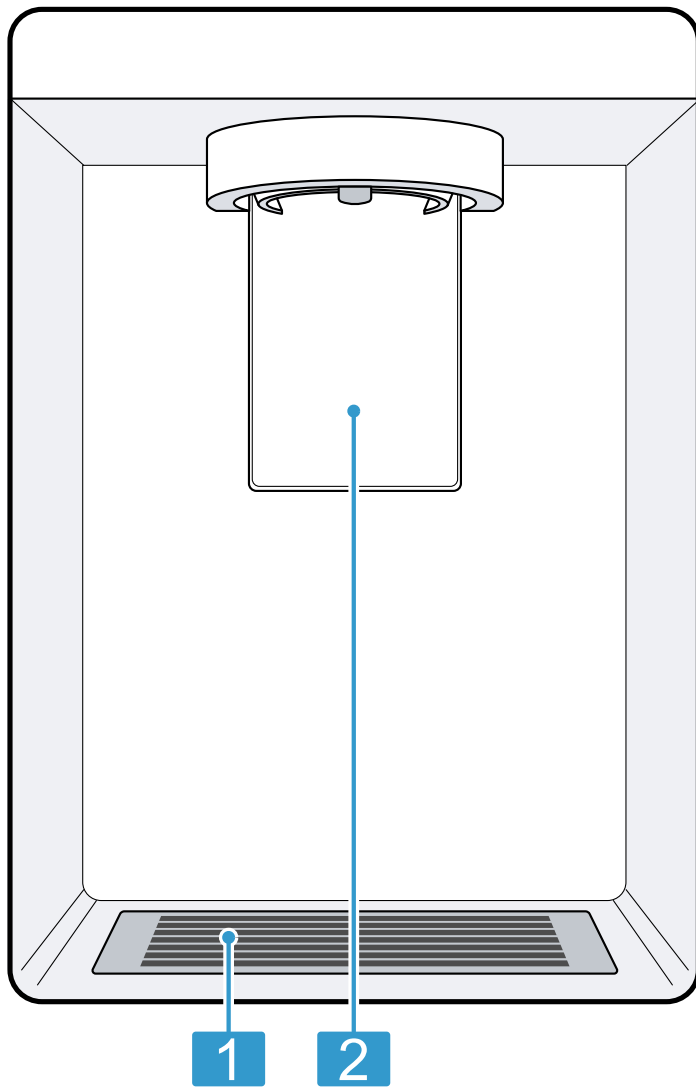
- 19**  light enciende o apaga la iluminación permanente del dispensador de hielo y agua.

5.3 Panel de control (submenú)

Es posible realizar más ajustes en el submenú.

5.4 Controles (dispensador de hielo y agua)

Aquí encontrará una vista general de los componentes del dispensador de hielo y agua.



3

1 Rejilla de goteo → *Página 79*

2 Interruptor de extracción

6 Equipamiento

El equipamiento del aparato depende del modelo.

6.1 Bandeja

AVISO:

Los ganchos de la bandeja pueden rayar el panel posterior del compartimento de refrigeración si se enganchan inclinados.

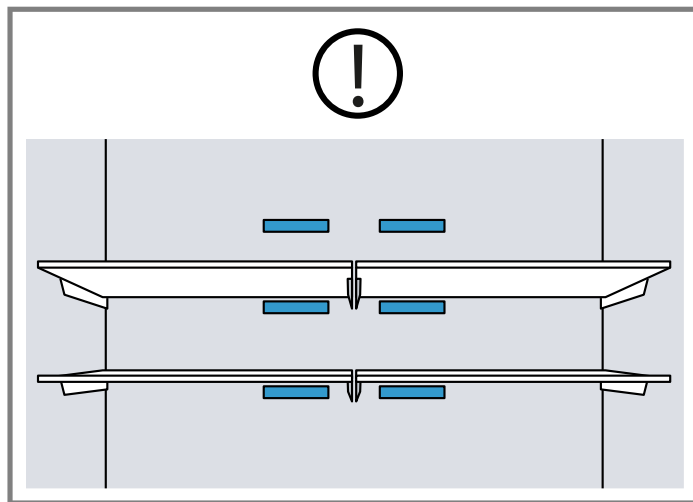
- ▶ Asegurarse de que la bandeja esté en posición horizontal y de que los ganchos estén totalmente enganchados.

Si se desea modificar la posición de las bandejas según sea necesario, es posible retirarlas y volver a colocarlas en otro lugar.

→ "Retirar las bandejas", *Página 79*

Nota

No cubrir las aberturas de ventilación interiores para no perjudicar la circulación del aire.



6.2 Recipiente de almacenamiento

El recipiente de almacenamiento se encuentra a temperaturas más bajas que el compartimento de refrigeración. Ocasionalmente pueden registrarse temperaturas inferiores a 32 °F (0 °C).

Para que el recipiente de almacenamiento alcance temperaturas en torno a los 0 °C (32 °F), ajustar la temperatura del compartimento frigorífico a 2 °C (34 °F).
→ *Página 71*

La zona de menor temperatura del recipiente de almacenamiento se utiliza para guardar alimentos perecederos (por ejemplo, pescado, carne y embutido).



6.3 Cajón para fruta y verdura con regulador de humedad

Guardar las frutas y verduras frescas, sin su envase, en el cajón para frutas y verduras.

Tapar la fruta y la verdura cortadas o almacenarlas en envases herméticos.

En el cajón para la fruta y la verdura, la humedad del aire se puede ajustar a través de un control regulador y un cierre especial. De esta manera, es posible guardar la fruta y la verdura hasta dos veces más tiempo que en caso de almacenamiento convencional.

Deslizar el regulador de humedad para ajustar la humedad del aire en el cajón para fruta y verdura, en función de la naturaleza y la cantidad de alimentos que se vayan a guardar en el mismo:

- Deslizarse hacia la izquierda para un nivel de humedad del aire bajo  low para guardar preferentemente fruta, alimentos frescos en general o una carga alta de alimentos frescos.
- Deslizarse hacia la derecha para un nivel de humedad del aire alto  para guardar preferentemente verduras o una carga pequeña de alimentos.

En función de la cantidad y el tipo de alimentos almacenados en el cajón para fruta y verdura, puede formarse agua de condensación en el mismo.

Eliminar el agua de condensación con un paño seco y ajustar un nivel bajo de humedad del aire usando el mando regulador.

Para conservar la calidad y el sabor de las frutas y hortalizas sensibles al frío (p. ej. piñas, plátanos, cítricos, pepinos, calabacitas, pimientos, tomates y papas), se recomienda almacenarlas fuera del aparato a una temperatura aproximada de entre 46 °F (8 °C) y 54 °F (12 °C).

6.4 Separador de compartimientos

ADVERTENCIA

Los niños pueden subirse al aparato y asfixiarse.

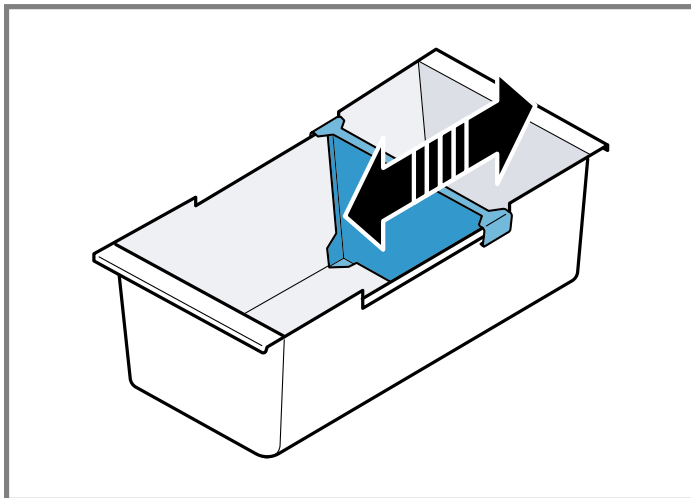
- ▶ No retirar nunca el divisor del recipiente suspendido para productos congelados.

AVISO:

El divisor del recipiente suspendido para productos congelados puede resultar dañado si se extrae.

- ▶ No retirar nunca el divisor del recipiente suspendido para productos congelados.

Para variar la división del recipiente suspendido para productos congelados, deslizar el divisor del recipiente.



6.5 Cajón deslizante de productos congelados

Para obtener una mejor vista general y para retirar productos congelados más rápidamente, se puede extraer el cajón deslizante de productos congelados.

6.6 Recipiente suspendido para productos congelados

El recipiente suspendido permite almacenar productos congelados grandes.

6.7 Estantes de la puerta para botellas

Los estantes para botellas pueden retirarse y recolocarse en otro lugar para modificar su posición según sea necesario.

→ "Retirar el botellero de puerta", Página 80

6.8 Depósito para cubitos de hielo

Cuando el dispensador de hielo y agua está activado, la producción de cubitos se guarda automáticamente en el depósito para cubitos.

ADVERTENCIA

Si se introduce la mano en la abertura dispensadora del depósito para cubitos de hielo, se pueden producir lesiones por cortes.

- ▶ No introducir nunca las manos en la abertura dispensadora del depósito para cubitos de hielo.

ADVERTENCIA

El contacto con los cubitos de hielo y superficies frías puede provocar quemaduras por frío.

- ▶ Evitar el contacto prolongado de la piel con los cubitos de hielo y las superficies del depósito para cubitos.

AVISO:

El dispensador de hielo y agua puede resultar dañado o bloqueado si se introducen alimentos u objetos en el depósito para cubitos.

- ▶ No colocar nunca alimentos ni objetos en el depósito para cubitos.
- ▶ No guardar nunca en el depósito para cubitos de hielo los cubitos producidos externamente.


Recomendaciones

- Retirar las cantidades más grandes de cubitos de hielo directamente del depósito para cubitos de hielo o guardarlas en el cajón deslizante para productos congelados. → Página 80
- Extraer el depósito para cubitos de hielo jalándolo con las dos manos, ya que el depósito para cubitos pesa si está lleno.

7 Manejo básico

7.1 Encender el aparato

1. Conectar el aparato a la red eléctrica. → *Página 66*


Nota: Si el aparato se ha apagado previamente con el panel de control, mantener presionado  **3 sec.** durante 3 segundos.

- ✓ El panel de control muestra una animación y se bloquea.
 - ✓ Cuando finaliza la animación, el aparato está listo para funcionar y se encienden las indicaciones de temperatura.
 - ✓ El motor se pone en marcha con un retraso de hasta 5 minutos.
 - ✓ El aparato comienza a enfriar.
 - ✓ Se escucha una señal acústica y parpadean el indicador de temperatura (congelador) y "alarm" porque la temperatura del congelador es aún demasiado alta.
2. Desactivar la señal acústica con **alarm**.
 - ✓ "alarm" se apaga tan pronto como se ha alcanzado la temperatura ajustada.
 3. Ajustar la temperatura deseada. → *Página 71*

7.2 Advertencias relativas al funcionamiento del aparato

- Una vez encendido el aparato, transcurren varias horas hasta que se alcanza la temperatura ajustada. No introducir alimentos en el aparato antes de alcanzar la temperatura ajustada.
- Los lados frontales y las paredes laterales del aparato se calientan ligeramente en ocasiones. De esta forma, se evita la formación de agua de condensación.
- Al cerrar la puerta, asegurarse de que no esté bloqueada por objetos almacenados.
- Cuando se cierra la puerta, puede generarse presión negativa. La puerta se vuelve a abrir con dificultad. Esperar un momento hasta que la presión se estabilice.
- La temperatura del aparato varía debido a las siguientes condiciones:
 - Frecuencia con la que se abre el aparato
 - Cantidad de carga
 - Temperatura de los alimentos frescos almacenados
 - Temperatura del entorno
 - Radiación solar directa

7.3 Apagar el aparato

1. Para activar el modo de ajuste, presionar la zona superior del panel de control.
2. Mantener presionado  **3 sec.** durante 3 segundos.



7.4 Ajustar la unidad de temperatura

Es posible elegir entre °F y °C como unidades de temperatura.

1. Para activar el modo de ajuste, presionar la zona superior del panel de control.
2. Presionar °C/°F.



7.5 Ajustar la temperatura

Ajustar la temperatura del compartimiento refrigerador

1. Para activar el modo de ajuste, presionar la zona superior del panel de control.
2. Presionar / (compartimiento de refrigeración) repetidas veces hasta que la indicación de temperatura (compartimiento refrigerador) muestre el ajuste de temperatura deseado.

La temperatura recomendada del compartimiento de refrigeración asciende a 37 °F (3 °C).

Ajustar la temperatura del compartimiento congelador



1. Para activar el modo de ajuste, presionar la zona superior del panel de control.
2. Presionar / (congelador) repetidas veces hasta que la indicación de temperatura (congelador) muestre el ajuste de temperatura deseado.

La temperatura recomendada del congelador es de 0 °F (-18 °C).



7.6 Bloqueo de teclas

El bloqueo de las teclas evita que el aparato se maneje de forma involuntaria o incorrecta durante el funcionamiento.

Activar el bloqueo de las teclas

1. Para activar el modo de ajuste, presionar la zona inferior del panel de control.
2. Mantener presionado  **lock 3 sec.** durante tres segundos.
 - ✓  "lock 3 sec." se ilumina.

Desactivar el bloqueo de las teclas

- ▶ Mantener presionado  **lock 3 sec.** durante tres segundos.
 - ✓  "lock 3 sec." se apaga.

8 Funciones adicionales

Comprobar qué funciones adicionales ajustables ofrece el aparato. Con la aplicación Home Connect® se pueden ajustar otras funciones adicionales.

8.1 Superfrío

Mediante la función Superfrío, el compartimento de refrigeración se enfría hasta alcanzar la temperatura más baja posible.

Encender Superfrío antes de almacenar grandes cantidades de alimentos en el compartimento de refrigeración.

Nota: Estando activada la función Superfrío, el nivel sonoro del aparato puede aumentar.

Activar Superfrío

1. Para activar el modo de ajuste, presionar la zona superior del panel de control.
 2. Presionar **super** (compartimento de refrigeración).
- ✓ Se enciende "super" (compartimento de refrigeración).

Nota: La función se desactiva automáticamente pasadas unas 6 horas y el aparato vuelve al funcionamiento normal.

Desactivar Superfrío

1. Para activar el modo de ajuste, presionar la zona superior del panel de control.
 2. Presionar **super**.
- ✓ Se muestra la temperatura ajustada anteriormente.

8.2 Supercongelación

Con la función Supercongelación, el congelador enfría a la temperatura más baja posible.

Activar Supercongelación entre una y dos horas antes de almacenar una cantidad de alimentos de 4.4 lb (2 kg) o superior en el congelador.

Utilizar Supercongelación para acelerar la producción de cubitos de hielo.

Nota: Estando activada la función Supercongelación, el nivel sonoro del aparato puede aumentar.

Activar Supercongelación

1. Para activar el modo de ajuste, presionar la zona superior del panel de control.
 2. Presionar **super** (congelador).
- ✓ Se enciende "super" (congelador).

Nota: La función se desactiva automáticamente pasadas unas 8 horas y el aparato vuelve al funcionamiento normal.

Desactivar Supercongelación

1. Para activar el modo de ajuste, presionar la zona superior del panel de control.

2. Presionar **super** (congelador).

✓ Se muestra la temperatura ajustada anteriormente.

8.3 Modo Sabbat

Con el modo Sabbat, se desconectan todas las funciones que no son necesarias para el uso del aparato durante el Sabbat.

Durante el modo Sabbat, las siguientes funciones permanecen desconectadas:

- Superfrío
- Supercongelación
- Alarma
- Dispensador de agua
- Producción de cubitos de hielo y dispensador de cubitos de hielo
- Iluminación interior
- Señales acústicas
- Mensajes en el panel de control

Nota: Durante el modo Sabbat, se activa la iluminación del panel de control. "super" (congelador) se ilumina con un brillo reducido.

Activar el modo Sabbat

1. Presionar ##CP0203SYA##.
2. Pulsar .
3. Presionar ##CP0206SYB##/##CP0206SYA## varias veces hasta que se encienda "ON".
4. Presionar ##CP0203SYB##.

Nota: Después de aproximadamente 74 horas, el aparato vuelve a funcionamiento normal.

Apagar el modo Sabbat

1. Para activar el modo de ajuste, presionar la zona superior del panel de control.
2. Mantener presionado **super** (congelador) durante 15 segundos hasta que suene una señal acústica.

8.4 Notificación de cambio de filtro

La notificación de cambio de filtro se activa cada seis meses.

"filter" se ilumina.

Nota: Si aumenta el consumo de agua, la notificación de cambio de filtro se activa antes.

Desactivar la notificación de cambio de filtro

1. Sustituir el filtro de agua.
La tapa con bypass no debe sustituirse.
 2. Presionar **filter**.
- ✓ "filter" se apaga.
✓ El estado de cambio del filtro se ha restablecido.

9 Alarma

9.1 Alarma de la puerta

Si la puerta permanece abierta durante más tiempo, la alarma de la puerta se activa.

Suena una señal acústica y parpadean "alarm" y la temperatura ajustada del compartimiento afectado.

Apagar la alarma de la puerta

- ▶ Cerrar la puerta del aparato o presionar **alarm**.
- ✓ La señal acústica se apaga.

9.2 Alarma de temperatura

La alarma de temperatura se activa si la temperatura es demasiado alta.

Suena una señal acústica y parpadean "alarm" y la temperatura ajustada del compartimiento afectado.

PRECAUCIÓN

Las bacterias pueden multiplicarse durante el proceso de descongelación de los alimentos y estos pueden deteriorarse.

- ▶ No volver a congelar los alimentos que se hayan descongelado o empezado a descongelar.
- ▶ Solo después de cocinarlos o freírlos, se podrán volver a congelar.
- ▶ El período máximo de almacenamiento ya no se podrá usar.

La alarma de temperatura puede activarse en los casos siguientes:

- El aparato se pone en funcionamiento.
No guardar los alimentos hasta que se haya alcanzado la temperatura establecida.
- Se han colocado grandes cantidades de alimentos frescos en el interior.
Antes de almacenar grandes cantidades de alimentos frescos, activar Supercongelación.
- Al tener abierta durante mucho tiempo la puerta del congelador.
Comprobar que los alimentos se hayan congelado o descongelado por completo.

Apagar la alarma de temperatura

- ▶ Presionar **alarm**.
- ✓ La señal acústica se apaga.
- ✓ En la indicación de temperatura (congelador) se muestra brevemente la temperatura más elevada registrada en el congelador. Seguidamente, la indicación de temperatura (congelador) muestra la temperatura ajustada.
- ✓ A partir de este momento se vuelve a determinar la temperatura más elevada, que queda almacenada.
- ✓ "alarm" permanece iluminada hasta que se alcanza de nuevo la temperatura ajustada.

10 Home Connect®

Este aparato es apto para la conexión en red. Conecte su aparato con un dispositivo móvil para manejar las funciones a través de la aplicación Home Connect®.

Los servicios Home Connect® no están disponibles en todos los países. La disponibilidad de la función Home Connect® depende de la disponibilidad de los servicios Home Connect® en su país. Para obtener más información, consulte: www.home-connect.com.

Para poder utilizar Home Connect® establezca primero la conexión con la red doméstica WLAN (Wi-Fi¹) y con la aplicación Home Connect®.

Después de encender el aparato esperar al menos 3 minutos hasta que concluya la inicialización interna del mismo. Realizar entonces la configuración de Home Connect®.

La aplicación Home Connect® le guiará durante el proceso de registro. Siga las instrucciones indicadas en la aplicación Home Connect® para establecer los ajustes.

Consejo Observe también las indicaciones de la aplicación Home Connect®.

Notas

- Debe tener en cuenta las indicaciones de seguridad de este manual de instrucciones y garantizar el cumplimiento de las mismas, cuando opere el aparato a través de la aplicación Home Connect®.
→ "Seguridad", *Página 62*
- En todo caso, tiene prioridad el manejo desde el propio electrodoméstico. Durante ese tiempo, el manejo del aparato no es posible a través de la aplicación Home Connect®.

10.1 Configurar la aplicación Home Connect®

1. Instalar la aplicación Home Connect® en el dispositivo móvil.
2. Iniciar la aplicación Home Connect® y configurar el acceso para Home Connect®.

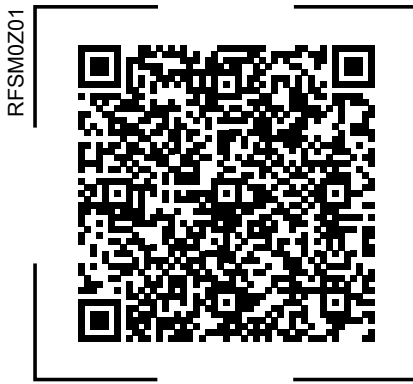
La aplicación Home Connect® le guiará durante el proceso de registro.

10.2 Configurar Home Connect®

Requisito: En el lugar en que se encuentra, el aparato recibe cobertura de la red doméstica WLAN (Wi-Fi).

¹ Wi-Fi es una marca registrada de Wi-Fi Alliance.

1. Escanear el siguiente código QR.



Con el código QR, puede instalarse la aplicación Home Connect® y conectar el aparato.

2. Seguir las instrucciones de la aplicación Home Connect®.

10.3 Activar la conexión con la red doméstica WLAN (Wi-Fi)

- ▶ Presionar .

10.4 Desactivar la conexión con la red doméstica WLAN (Wi-Fi)

- ▶ Presionar .



10.5 Instalar la actualización de software de Home Connect®

Nota: Si hay disponible una actualización del software Home Connect®, aparece un mensaje en la aplicación Home Connect®.

- ▶ Para instalar la actualización del software Home Connect®, seguir las instrucciones de la aplicación Home Connect®.
- ✓ Durante la instalación, el panel de control está bloqueado parcialmente.

10.6 Restablecer los ajustes de Home Connect®

Si el aparato presenta problemas de conexión con la red inalámbrica doméstica WLAN (Wi-Fi) o si se desea conectarlo a otra red, es posible restablecer los ajustes de Home Connect®.

- ▶ Mantener presionado  durante seis segundos hasta que  se apague.
- ✓ Se han restablecido los ajustes de Home Connect®.

10.7 Diagnóstico Remoto

El servicio al cliente puede acceder a su aparato a través de Diagnóstico Remoto si usted lo solicita, siempre que su aparato esté conectado al servidor Home Connect® y Diagnóstico Remoto esté disponible para su aparato y país. Para obtener más información sobre la

disponibilidad de Diagnóstico Remoto en su país, visite la sección Servicio/Soporte de su sitio web local:

www.home-connect.com.

Tenga en cuenta que, aunque el Diagnóstico Remoto puede ayudar a solucionar determinados problemas, puede haber casos en los que sea necesaria una visita de servicio in situ si el problema no puede resolverse de forma remota.

10.8 Protección de datos

Tenga en cuenta las indicaciones relativas a la protección de datos.

Al conectar por primera vez su aparato a una red doméstica asociada a Internet, el aparato transmite las siguientes categorías de datos al servidor de Home Connect® (registro inicial):

- Identificación clara del aparato (compuesta por la clave del aparato y la dirección MAC del módulo de comunicación Wi-Fi utilizado).
- Certificado de seguridad del módulo de comunicación Wi-Fi (para la protección técnica de la información de la conexión).
- Las versiones actuales del software y del hardware del electrodoméstico.
- El estado de un posible restablecimiento previo a los ajustes de fábrica.

El registro inicial prepara la utilización de las funciones Home Connect® y solo es necesario la primera vez que se vayan a utilizar dichas funciones Home Connect®.

Nota: Se debe tener en cuenta que las funciones Home Connect® solo se pueden utilizar en conexión con la aplicación Home Connect®. Se puede consultar la información relativa a la protección de datos en la aplicación Home Connect®.

11 Compartimiento de refrigeración

En el compartimiento de refrigeración, se pueden almacenar productos lácteos, huevos, platillos preparados, productos de panadería, conservas abiertas y quesos curados.

La temperatura puede ajustarse de 33 °F (1 °C) a 43 °F (6 °C).

En el compartimiento de refrigeración, también se pueden conservar alimentos perecederos a corto y medio plazo. Cuanto más baja sea la temperatura seleccionada, más tiempo se mantienen frescos los alimentos.

11.1 Consejos para el almacenamiento de alimentos en el compartimiento de refrigeración

- Guardar únicamente alimentos frescos y en perfecto estado.
- Almacenar los alimentos envasados herméticamente o tapados adecuadamente.

- No colocar los alimentos delante de las aberturas de ventilación interiores ni en contacto directo con el panel posterior para no perjudicar la circulación de aire y evitar que se congelen los alimentos.
- Dejar enfriar los alimentos y bebidas calientes.
- Deben observarse las fechas de caducidad o de consumo preferente señaladas por los fabricantes.

11.2 Zonas de frío del compartimiento de refrigeración

La circulación de aire en el compartimiento de refrigeración genera diferentes zonas de frío.

La zona más fría

La zona más fría es la del recipiente de almacenamiento.

Consejo Guardar en la zona de más frío los alimentos perecederos, como pescado, embutido y carne.

La zona menos fría

La zona menos fría se encuentra en la parte superior de la cara interior de la puerta.

Consejo Guardar en la zona menos fría la comida menos perecedera, por ejemplo, el queso curado y la mantequilla. De esta manera, el queso conservará su aroma y la mantequilla se podrá untar en el pan fácilmente.

12 Congelador

En el congelador, es posible guardar productos ultracongelados, congelar alimentos y preparar cubitos de hielo.

La temperatura puede ajustarse de 6 °F (-14 °C) a -7 °F (-22 °C).

El almacenamiento de alimentos durante largos periodos de tiempo deberá efectuarse a una temperatura de 0 °F (-18 °C) o inferior.

Los alimentos perecederos pueden almacenarse congelados durante mucho tiempo. Las bajas temperaturas ralentizan o detienen su deterioro.

12.1 Consejos para colocar los alimentos en el congelador

- Almacenar los alimentos en envases herméticos.
- Los alimentos congelados no deben entrar en contacto con los alimentos frescos que se desean congelar.
- Distribuir uniformemente los alimentos en el recipiente suspendido para productos congelados.

12.2 Consejos para congelar alimentos frescos

- Congelar solo alimentos frescos y en perfectas condiciones.
- Congelar alimentos en porciones.
- Los alimentos preparados son más adecuados que los alimentos crudos.

- Lavar, trocear y escaldar la verdura antes de congelarla.
- Lavar la fruta, retirar los huesos, y si así se desea, pelarla antes de congelarla; dado el caso, se le puede añadir azúcar o una solución de ácido ascórbico.
- Algunos alimentos apropiados para congelar son el pan y la bollería, el pescado, el marisco, la carne, la caza, las aves, los huevos sin cáscara, el queso, la mantequilla, el requesón, los platos precocinados y los restos de comida.
- Algunos alimentos no apropiados para congelar son las lechugas, los rabanitos, los huevos con cáscara, las uvas, las manzanas o peras crudas, los yogures, la nata agria o fresca y la mayonesa.

Envasado de los productos congelados

Utilizar el tipo y el material de embalaje adecuados permite conservar significativamente la calidad de los productos y evitar que se quemen por congelación.

1. Introducir los alimentos en el embalaje previsto para tal efecto.
2. Eliminar todo el aire que pudiera haber en el envase.
3. Envasar los alimentos herméticamente para que no se deshidraten ni pierdan su sabor.
4. Marcar los envases, indicando su contenido y la fecha de congelación.

12.3 Métodos de descongelación para productos congelados

PRECAUCIÓN

Las bacterias pueden multiplicarse durante el proceso de descongelación de los alimentos y estos pueden deteriorarse.

- ▶ No volver a congelar los alimentos que se hayan descongelado o empezado a descongelar.
- ▶ Solo después de cocinarlos o freírlos, se podrán volver a congelar.
- ▶ El período máximo de almacenamiento ya no se podrá usar.
- Descongelar en el compartimiento de refrigeración los alimentos de origen animal, como el pescado, la carne, el queso o el requesón.
- Descongelar el pan a temperatura ambiente.
- Preparar los alimentos de consumo inmediato en el microondas, en el horno o en las placas de cocción.

13 Sistema de agua

El aparato tiene componentes que conducen agua.

El sistema de agua solo funciona si hay instalado un filtro de agua o una tapa con bypass.

Desconectar la producción de cubitos de hielo antes de desconectar el aparato de la toma de agua.

13.1 Filtro de agua

El filtro de agua filtra las partículas del agua y el sabor a cloro.

El filtro de agua reduce otros tipos de impurezas, como la cloramina, el plomo y los productos farmacéuticos.

Nota: El filtro de agua no filtra bacterias ni microbios del agua.

Sustituir el filtro de agua:

- cada 6 meses.
- si se enciende "filter".
- si se aprecia que se agota el dispensador de agua.
- si se aprecia que se agota la producción de cubitos de hielo.

Recomendaciones

- Se puede obtener un nuevo filtro de agua a través de nuestro servicio de atención al cliente, de su distribuidor o en nuestra página web.
- Si no se desea utilizar un filtro de agua en el aparato o se tiene instalado un sistema de filtro de agua exterior, es posible reemplazar para siempre el filtro de agua por una tapa con bypass.

La tapa con bypass solo filtra partículas gruesas del agua y puede limpiarse en caso sea necesario.

Puede obtener una tapa con bypass a través de nuestro Servicio de atención al cliente o en nuestra página web.

Notificación de cambio de filtro

La notificación de cambio de filtro se activa cada seis meses.

"filter" se ilumina.

Nota: Si aumenta el consumo de agua, la notificación de cambio de filtro se activa antes.

Desactivar la notificación de cambio de filtro

1. Sustituir el filtro de agua.

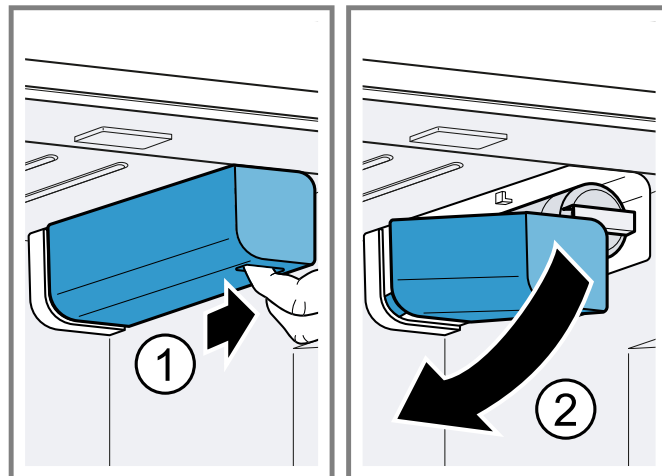
La tapa con bypass no debe sustituirse.

2. Presionar **filter**.

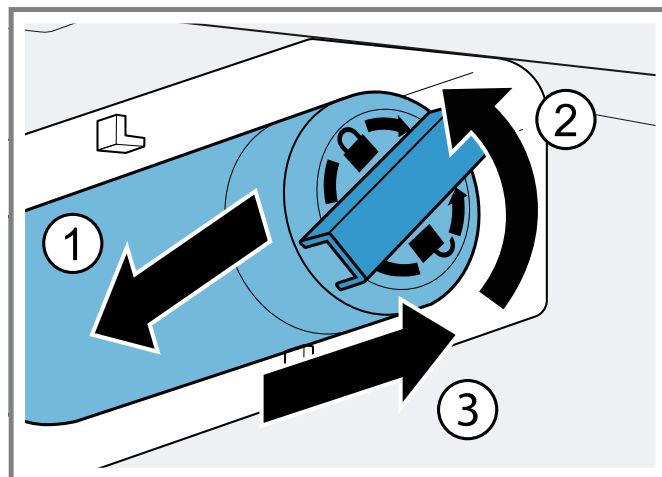
- ✓ "filter" se apaga.
- ✓ El estado de cambio del filtro se ha restablecido.

Sustituir el filtro de agua o reemplazarlo por una tapa con bypass

1. Agarrar la muesca ubicada debajo de la cubierta del filtro ①, desplazarla suavemente hacia adelante y plegarla hacia abajo a la izquierda ②.



2. Doblar el filtro del agua hacia abajo a la izquierda ①, girarlo 90° en sentido antihorario ② y retirarlo ③.
 - Retirar con cuidado el filtro de agua, ya que puede estar bajo presión.



Nota: Goteará un poco de agua al retirar el filtro. Eliminar el agua que ha goteado con un paño seco.

Consejo El filtro de agua usado se puede desechar con la basura del hogar.

3. Empujar el nuevo filtro de agua o la tapa con bypass en la apertura del filtro hasta el tope, girarlo 90° en sentido horario hasta el tope y doblarlo hacia arriba a la derecha.
4. Plegar la cubierta del filtro hacia arriba a la derecha y empujar hacia atrás hasta el tope.
5. Desechar los cubitos de hielo que se hayan producido en las primeras 24 horas y desechar el agua que salga durante cinco minutos.

13.2 Dispensador de hielo y agua

El dispensador de hielo y agua se utiliza para extraer cubitos de hielo, hielo triturado y agua fría.

Para lograr la producción máxima de cubitos de hielo de hasta 5.4 kg (12 lbs) en un periodo de 24 horas:

- Ajustar la temperatura del congelador a la temperatura más baja posible.
- Vaciar el depósito para cubitos de hielo cada 3 horas.

La cantidad de producción de cubitos de hielo varía debido a las siguientes condiciones:

- Frecuencia con la que se abre el aparato
- Carga de los alimentos
- Temperatura y humedad del entorno
- Presión del agua y estado del filtro de agua

Nota: Al abrir la puerta del aparato, se bloquea el dispensador de hielo y agua.

Poner en funcionamiento el dispensador de hielo y agua

Notas

- La producción de cubitos de hielo se inicia en cuanto el aparato está encendido y el congelador alcanza la temperatura establecida.
- En cuanto el congelador haya alcanzado la temperatura establecida, se habrá finalizado la primera producción de cubitos de hielo al cabo de aproximadamente 4 horas.
- Tras conectar el aparato o insertar un nuevo filtro de agua, hay aire en el sistema de agua.

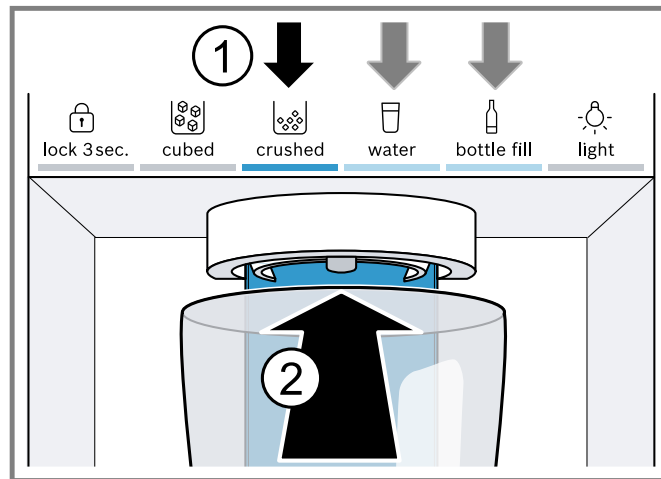
Requisito: El aparato está conectado a la toma de agua potable.

1. Dejar correr el agua hasta que no quede ninguna burbuja de aire.
Eliminar las salpicaduras de agua con un paño seco.
2. Por motivos de higiene, extraer el agua durante cinco minutos y desecharla.
3. Por motivos de higiene, desechar los cubitos de hielo que se hayan producido en las primeras 24 horas.

Extraer hielo o agua

1. Para activar el modo de ajuste, presionar la zona inferior del panel de control.

2. Presionar sobre la opción de selección deseada ① y presionar el vaso contra el interruptor de extracción ②.
 - Si no se ha extraído agua durante 5 días, enjuagar el sistema de agua. Para enjuagar el sistema de agua, es preciso extraer 2 litros de agua.



Consejo Mantenga el vaso directamente bajo la apertura del dispensador.

Notas

- Al cabo de un cierto tiempo continuado de extracción, se interrumpe el dispensador de hielo y agua. Esperar un par de segundos para volver a dispensar hielo o agua.
- Después de varias extracciones sucesivas, el dispensador de hielo y agua se detiene. Esperar un par de minutos para volver a dispensar hielo o agua.
- Al cambiar de **cubed** a **crushed**, en la siguiente extracción pueden salir un par de cubitos de hielo.
- Al cambiar de **crushed** a **cubed**, en la siguiente extracción puede salir un poco de hielo triturado.

Opción de llenado de botella

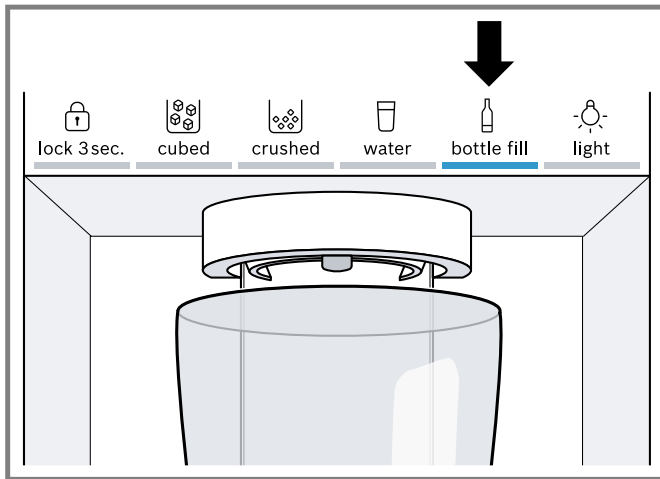
Puede dispensar una cantidad de agua determinada con la opción de llenado de botella.

Nota: La cantidad de agua determinada de fábrica es aprox. 500 ml.

Extraer llenado de botellas


1. Presionar **bottle fill**.
2. Colocar una botella o una jarra debajo de la abertura del dispensador.


3. Presionar **bottle fill**.



- ✓ Se dispensa la cantidad determinada de agua.




Recomendaciones

- Para detener de manera anticipada la extracción, presionar cualquier tecla táctil del panel de control.
- Para iniciar de nuevo la extracción, presionar  **bottle fill**.

Nota: Si durante un tiempo no se realiza ninguna extracción para llenado de botellas, cambiar la opción de selección a  **water**.

Ajustar la cantidad de agua de la opción de llenado de botella



Nota: El tiempo máximo de llenado es de 60 segundos.

1. Presionar  **bottle fill**.
 2. Colocar una botella o una jarra debajo de la abertura del dispensador.
 3. Seleccionar una de las opciones:
 - Mantener presionada la tecla  **bottle fill** hasta que se dispense la cantidad de agua deseada.
 - Presionar  (congelador) varias veces hasta que la indicación de temperatura (congelador) muestre el tiempo de dispensación de agua deseado en segundos.
- ✓ La nueva cantidad de agua se guarda y se dispensa con la opción de llenado de botella.

Iluminación permanente


En caso de no extraer cubitos de hielo o agua durante un tiempo, la iluminación se apaga. Se puede activar de forma permanente la iluminación del dispensador de hielo y agua.


Conectar la iluminación permanente

1. Para activar el modo de ajuste, presionar la zona inferior del panel de control.
 2. Presionar  **light**.
- ✓  **light** se ilumina.

Desconectar la iluminación permanente

1. Para activar el modo de ajuste, presionar la zona inferior del panel de control.

2. Presionar  **light**.

- ✓  **light** se apaga.

Activar la producción de cubitos de hielo

1. Para activar el modo de ajuste, presionar la zona superior del panel de control.
 2. Presionar **icemaker off**.
- ✓ Se inicia la producción de cubitos de hielo y se ilumina la última opción utilizada.

Desactivar la producción de cubitos de hielo

1. Para activar el modo de ajuste, presionar la zona superior del panel de control.
 2. Presionar **icemaker off**.
- ✓ El dispensador de hielo y la producción de cubitos de hielo se detienen.

14 Descongelación

14.1 Desescarchar el compartimiento de refrigeración

El compartimiento de refrigeración del aparato se desescarcha automáticamente.

14.2 Descongelación dentro del congelador

Gracias al sistema totalmente automático «NoFrost», no se genera escarcha en el congelador. No es necesario descongelarlo.

15 Limpieza y cuidados

Para que el aparato mantenga durante mucho tiempo su capacidad funcional, debe mantenerse y limpiarse con cuidado.

La limpieza en áreas inaccesibles tiene que realizarla el Servicio de Atención al Cliente. La limpieza por el Servicio de Atención al Cliente supone costos.

15.1 Preparar el aparato para su limpieza

1. Apagar el aparato. → *Página 71*
2. Desenchufar el aparato de la red eléctrica.
 - Extraer el enchufe del cable de conexión de red o quitar el fusible de la caja de fusibles.
3. Retirar los alimentos y guardarlos en un lugar fresco.
 - Colocar acumuladores de frío directamente sobre los alimentos, si se dispone de ellos.
4. Retirar todos los elementos adicionales y accesorios del aparato. → *Página 79*
5. Desmontar los carriles telescópicos. → *Página 81*
6. Desmontar la bandeja situada encima del cajón para fruta y verdura. → *Página 82*

7. Desmontar la bandeja encima del recipiente de almacenamiento. → *Página 82*
8. Desmontar la tapa del cajón para fruta y verdura. → *Página 83*

15.2 Limpiar el aparato

⚠ ADVERTENCIA

La penetración de humedad puede causar una descarga eléctrica.

- ▶ No utilizar limpiadores por chorro de vapor ni de alta presión para limpiar el aparato.

AVISO:

Los productos de limpieza inadecuados pueden dañar la superficie del aparato.

- ▶ No utilizar estropajos ni esponjas de fibra dura.
- ▶ No utilizar agentes agresivos ni abrasivos.
- ▶ No utilizar productos de limpieza con un alto contenido de alcohol.
- ▶ No utilizar limpiadores específicos para acero inoxidable en el exterior del aparato.

Si se lavan los elementos y accesorios del aparato en el lavavajillas, estos podrían deformarse o decolorarse.

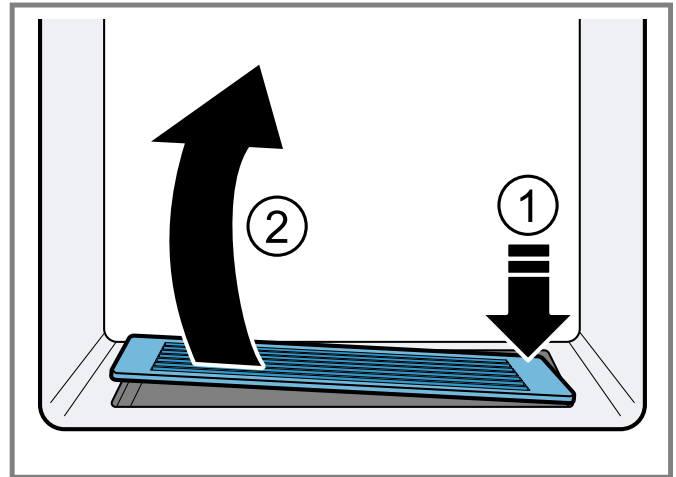
- ▶ No lavar nunca los elementos y accesorios del aparato en el lavavajillas.

1. Preparar el aparato para su limpieza. → *Página 78*
2. Limpiar el exterior y el interior del aparato, los elementos adicionales, los accesorios y las juntas de la puerta con un paño de cocina, agua templada y un poco de jabón de pH neutro.
3. Secar completamente con un paño suave y seco.
4. Colocar los accesorios y montar las piezas desmontables del aparato.
5. Conectar el aparato a la red eléctrica. → *Página 66*
6. Introducir alimentos.

15.3 Limpiar la bandeja de goteo

Comprobar con regularidad la bandeja de goteo para ver si hay agua derramada y limpiarla si fuera necesario.

1. Presionar hacia abajo la rejilla de goteo en la esquina superior derecha ① y retirarla ②.



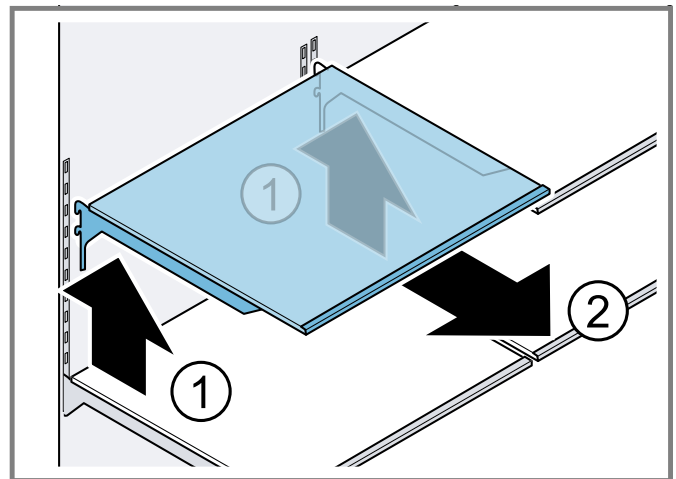
2. Limpiar la bandeja de goteo con una esponja o con un paño absorbente.

15.4 Retirar elementos del aparato

Si se desea limpiar a fondo los elementos del aparato, será necesario quitarlos.

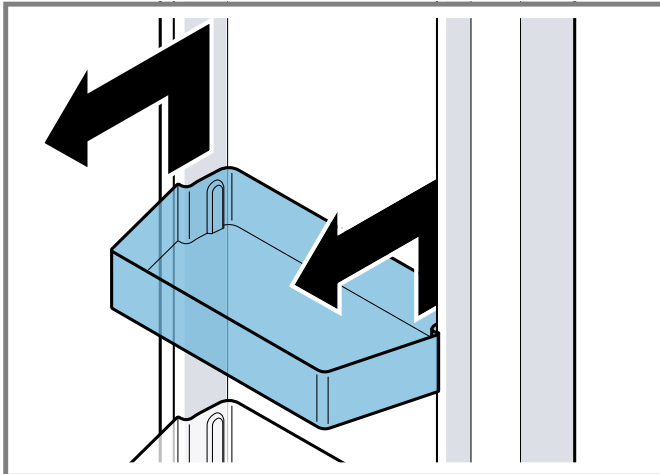
Retirar las bandejas

- ▶ Levantar ① la bandeja y extraerla ②.

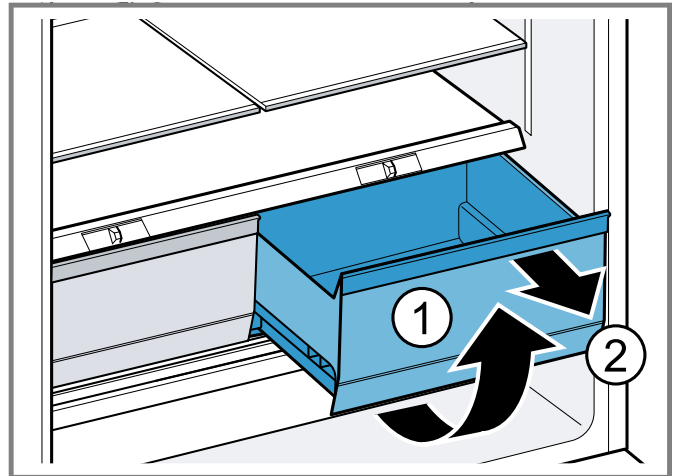


Retirar el botellero de puerta

- ▶ Levantar y extraer el botellero.

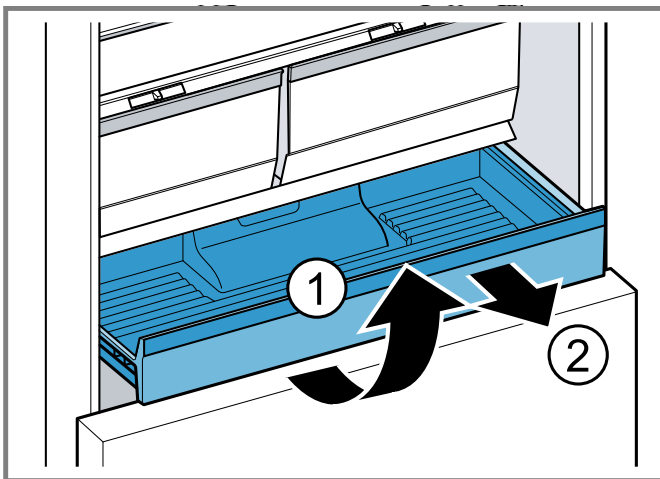


2. Levantar ① el cajón para fruta y verdura por su parte delantera y retirarlo ②.



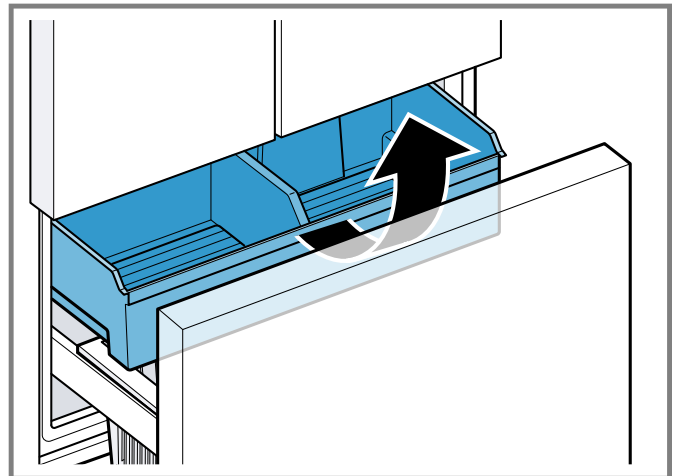
Retirar el recipiente de almacenamiento

1. Extraer el recipiente de almacenamiento hasta el tope.
2. Levantar el recipiente de almacenamiento por la parte delantera ① y retirarlo ②.



Retirar el cajón deslizante de productos congelados

1. Extraer hasta el tope el cajón deslizante de productos congelados.
2. Levantar el cajón deslizante de productos congelados por delante y retirarlo.



Retirar el cajón para fruta y verdura

1. Extraer el cajón para fruta y verdura hasta el tope.

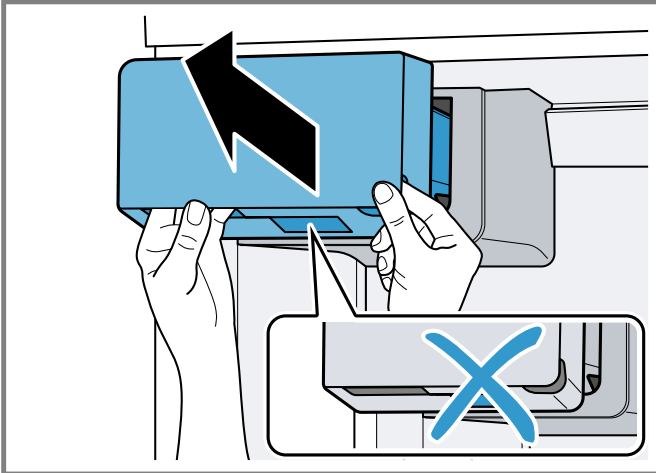
Extraer el depósito para cubitos de hielo

⚠ ADVERTENCIA

Si se introduce la mano en la abertura dispensadora del depósito para cubitos de hielo, se pueden producir lesiones por cortes.

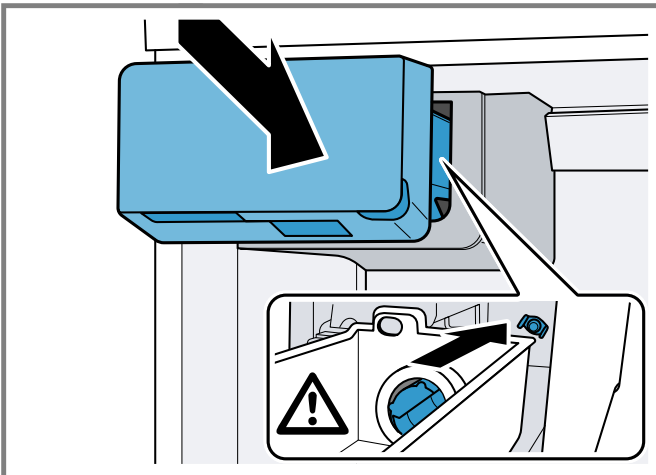
- ▶ No introducir nunca las manos en la abertura dispensadora del depósito para cubitos de hielo.

- ▶ Agarrar las ranuras izquierda y derecha situadas debajo del depósito para los cubitos de hielo y extraerlo hacia adelante.



Recomendaciones

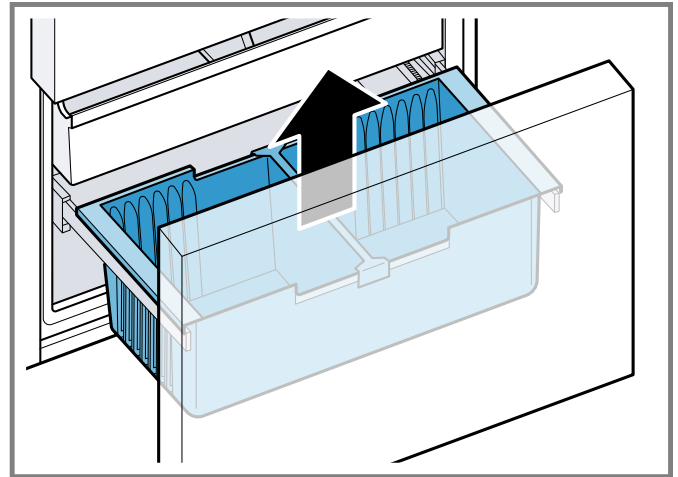
- Si no se puede volver a colocar el depósito para cubitos de hielo, girar la rosca de transporte del depósito para cubitos de hielo y volver a intentarlo.



- Si el depósito para cubitos de hielo se bloquea durante la colocación, retirar el exceso de cubitos de la abertura del depósito para cubitos de hielo.

Retirar el recipiente suspendido para productos congelados

- ▶ Retirar hacia arriba el recipiente suspendido para productos congelados.



15.5 Desmontar los componentes del aparato

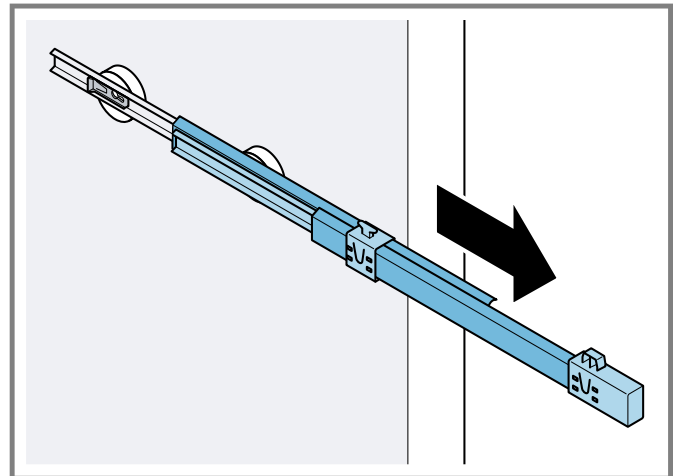
Si se desea limpiar el aparato a fondo, es posible desmontar algunos componentes del aparato.

Raíles telescópicos

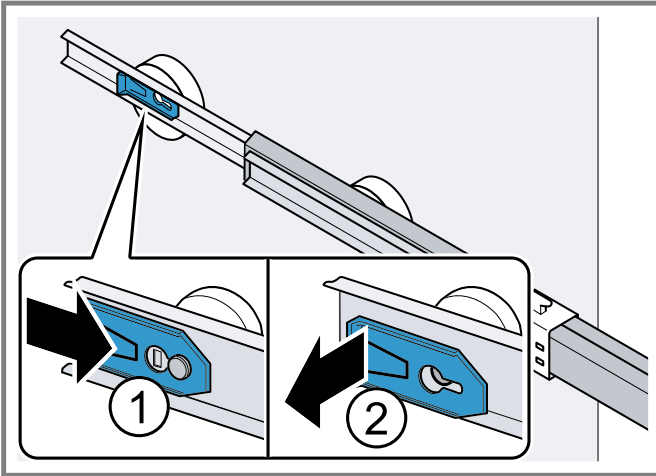
Para limpiar a fondo los raíles telescópicos, es posible desmontarlos.

Desmontar los raíles telescópicos

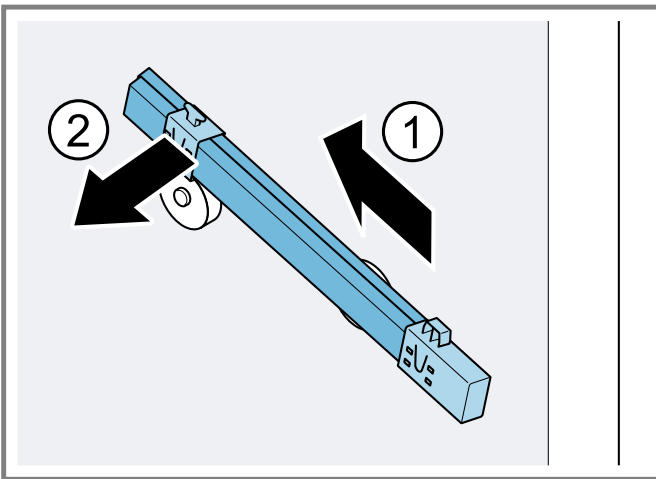
1. Extraer el raíl telescópico.



2. Desplazar el bloqueo en la dirección que marca la flecha ① y soltarlo del perno ②.

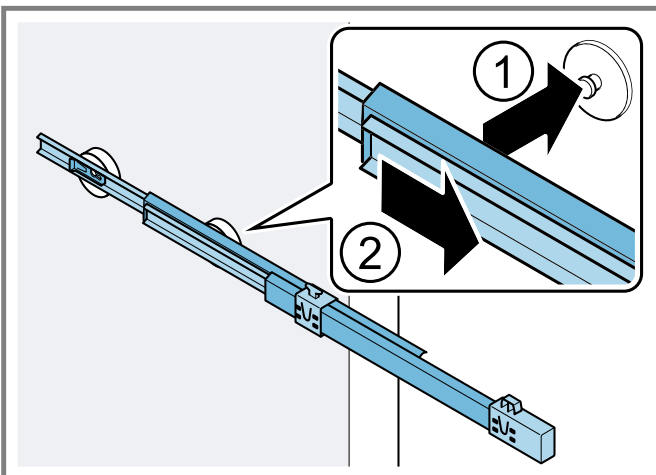


3. Replegar el raíl telescópico.
4. Desplazar el raíl telescópico hacia atrás por encima del perno posterior ① y desenclavarlo ②.

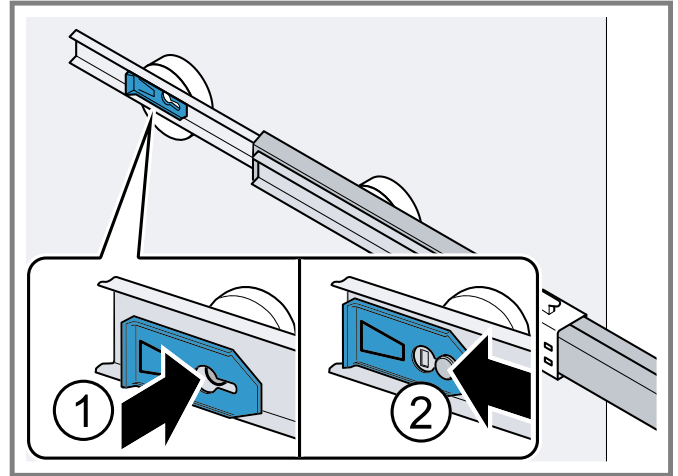


Montar los railes telescópicos

1. Montar el raíl telescópico en posición desplegada sobre el perno delantero ① y jalar ligeramente hacia delante para encajarlo ②.

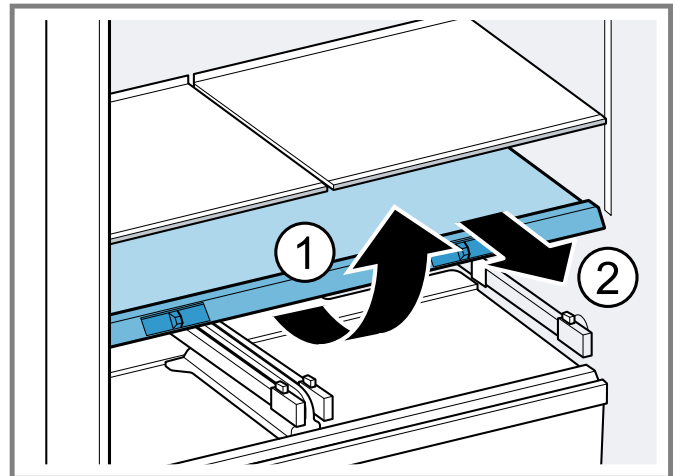


2. Montar el raíl telescópico en el perno posterior ① y desplazar el bloqueo hacia atrás ②.



Desmontar la bandeja encima del cajón para fruta y verdura

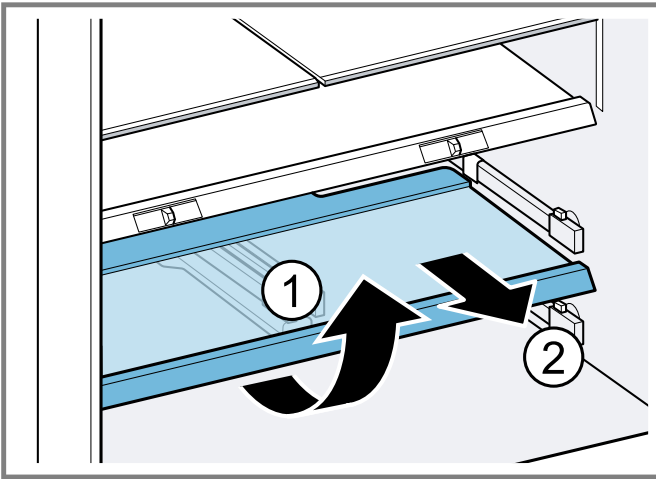
1. Extraer el cajón para fruta y verdura hasta el tope.
2. Levantar la bandeja encima del cajón para fruta y verdura por la parte delantera ① y retirarla ②.



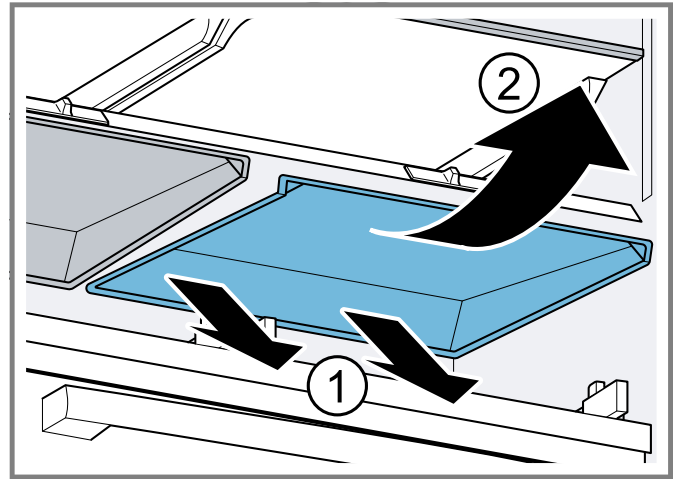
Desmontar la bandeja encima del recipiente de almacenamiento

1. Extraer el recipiente de almacenamiento hasta el tope.

2. Levantar la bandeja encima del recipiente de almacenamiento por la parte delantera ① y retirarla ②.



3. Desenganchar la parte trasera de la tapa del cajón para frutas y verduras ① y retirarla ②.

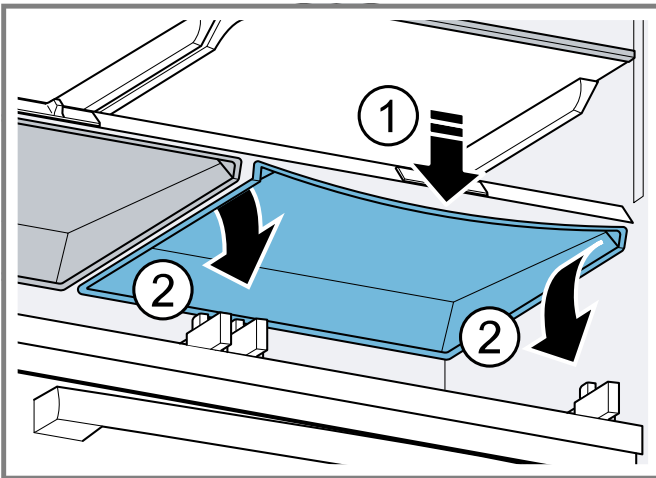


Tapa del cajón para frutas y verduras

Se puede desmontar la tapa del cajón para frutas y verduras para limpiarla a fondo.

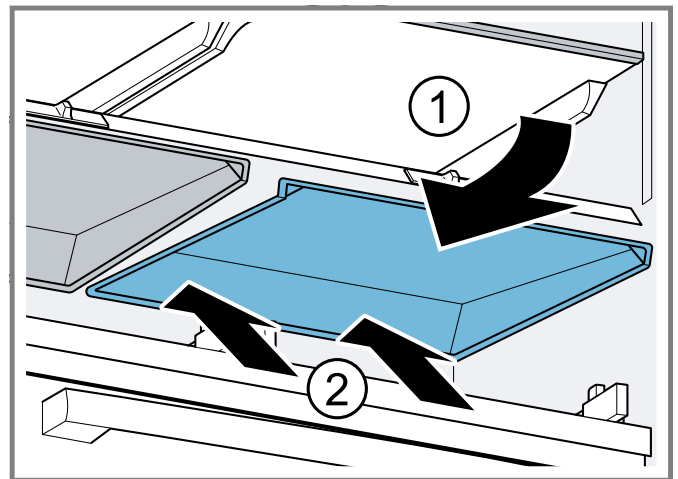
Desmontar la tapa del cajón para frutas y verduras

1. Retirar el cajón para frutas y verduras. → *Página 80*
2. Doblar ligeramente hacia abajo la parte central de la tapa del cajón para frutas y verduras ①; entonces, desenganchar la parte delantera, primero por un lado y luego por el otro ②.

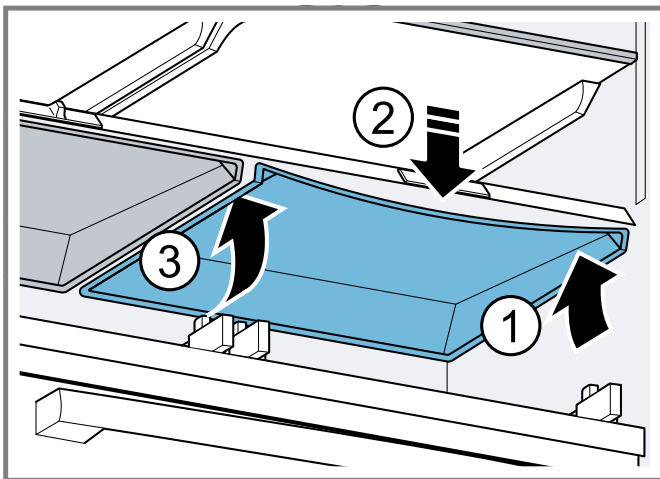


Montar la tapa del cajón para frutas y verduras

1. Deslizar simétricamente la tapa del cajón para frutas y verduras hacia atrás ① y engancharla ②.



2. Enganchar uno de los lados delanteros de la tapa del cajón para frutas y verduras ①, doblar ligeramente hacia abajo por la parte central ② y enganchar el otro lado delantero ③.



Si la tapa del cajón para frutas y verduras sigue doblada, desplazar el regulador de humedad varias veces hasta que la tapa del cajón para frutas y verduras encaje en su sitio.

16 Solucionar pequeñas averías


Usted mismo puede solucionar los errores menores de su aparato. Lea la información acerca de cómo solucionar los errores antes de contactar con Atención al Cliente. Así podrá evitar costos de reparación innecesarios.

ADVERTENCIA

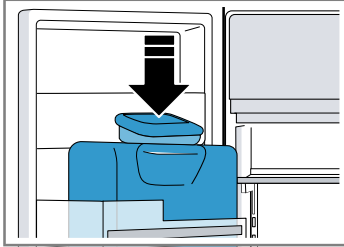
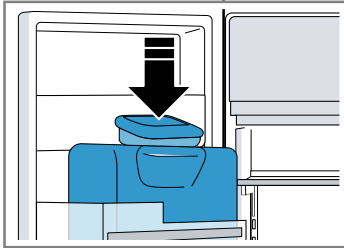
Para evitar riesgos de lesiones derivadas de reparaciones inadecuadas, se recomienda seguir las siguientes indicaciones.

- ▶ Únicamente los técnicos especialistas o los proveedores de servicios autorizados deben llevar a cabo reparaciones.

- ▶ Solo se pueden utilizar repuestos originales para reparar el aparato.
- ▶ Si el cable de conexión de red o el cable de conexión de este aparato resulta dañado, debe ser sustituido por un cable especial de conexión de red o por un cable especial de conexión para este aparato que puede obtenerse a través del fabricante o de su servicio de atención al cliente.

Falla	Causas y resolución de problemas
El aparato no enfría; los paneles indicadores y la iluminación interior se iluminan.	<p>El modo de exposición está activado.</p> <ol style="list-style-type: none"> 1. Desconectar el aparato de la red eléctrica. Extraer el enchufe del cable de conexión de red o desconectar el fusible de la caja de fusibles. 2. Volver a conectar el aparato tras cinco minutos. 3. Esperar al menos 30 segundos y después presionar ##CP0434SYB## durante 15 segundos. <ul style="list-style-type: none"> ✓ En el panel de control aparece brevemente . <ol style="list-style-type: none"> 4. Al cabo de un breve período de tiempo, cerciorarse de que el aparato enfría.
La iluminación LED no funciona.	<p>Son posibles diferentes causas.</p> <ul style="list-style-type: none"> ▶ Ponerse en contacto con el Servicio de atención al cliente. → "Servicio de atención al cliente", <i>Página 89</i>
La frecuencia y duración de la conexión del compresor aumenta.	<p>El aparato se ha abierto con frecuencia.</p> <ul style="list-style-type: none"> ▶ No se debe abrir la puerta del aparato innecesariamente. <hr/> <p>Las aberturas de ventilación exteriores están cubiertas.</p> <ul style="list-style-type: none"> ▶ Se debe eliminar la causa de la obstrucción de las aberturas de ventilación exteriores. <hr/> <p>No se trata de un error. Las máquinas de refrigeración modernas se encienden con más frecuencia y tienen distintos niveles de potencia para refrigerar con más eficacia.</p> <ul style="list-style-type: none"> ▶ Se debe eliminar la causa de la obstrucción de las aberturas de ventilación exteriores. ▶ Colocar el aparato con la mayor distancia posible respecto a resistencias, hornos y otras fuentes de calor. Evitar la exposición prolongada del aparato a la radiación solar directa. ▶ No mantener abierta la puerta del aparato más de lo necesario. ▶ Dejar enfriar los alimentos y bebidas calientes antes de guardarlos.
Se forma una capa de escarcha en la pared trasera del compartimento de refrigeración.	<p>No se trata de un error. Las máquinas de refrigeración modernas garantizan una temperatura más uniforme en el compartimento de refrigeración. La placa posterior del compartimento de refrigeración se descongela automáticamente a intervalos regulares.</p> <ul style="list-style-type: none"> ▶ No mantener abierta la puerta del aparato más de lo necesario. ▶ Envasar la comida de forma hermética o cubrirla. ▶ Dejar enfriar los alimentos y bebidas calientes antes de guardarlos. ▶ Dejar siempre algo de espacio entre la comida y las paredes interiores.
Home Connect® no funciona correctamente.	<p>Son posibles diferentes causas.</p> <ul style="list-style-type: none"> ▶ Acceder a www.home-connect.com.

Falla	Causas y resolución de problemas
En la indicación de temperatura se muestra "E" o "d".	<p>El sistema electrónico ha detectado una falla.</p> <ol style="list-style-type: none"> 1. Apagar el aparato. → <i>Página 71</i> 2. Desconectar el aparato de la red eléctrica. Extraer el enchufe del cable de conexión de red o desconectar el fusible de la caja de fusibles. 3. Volver a conectar el aparato tras cinco minutos. 4. Si la indicación vuelve a aparecer, avisar al Servicio de Atención al Cliente. → <i>"Servicio de atención al cliente", Página 89</i>
<p>Suena una señal acústica y "alarm" parpadea.</p> <p>La alarma de la puerta está activada.</p>	<p>La puerta del aparato está abierta.</p> <ul style="list-style-type: none"> ▶ Cerrar la puerta del aparato.
<p>Suena la señal acústica, parpadean el indicador de temperatura (congelador) y "alarm".</p> <p>La alarma de temperatura está activada.</p>	<p>Son posibles diferentes causas.</p> <ol style="list-style-type: none"> 1. Presionar alarm. ✓ La alarma se desactiva. 2. Comprobar tras unas horas que el congelador ha vuelto a alcanzar la temperatura establecida. <hr/> <p>Las aberturas de ventilación exteriores están cubiertas.</p> <ul style="list-style-type: none"> ▶ Se debe eliminar la causa de la obstrucción de las aberturas de ventilación exteriores. <hr/> <p>Se han introducido grandes cantidades de alimentos frescos en el interior.</p> <ul style="list-style-type: none"> ▶ Activar Supercongelación antes de introducir una cantidad de alimentos grande. → <i>"Activar Supercongelación", Página 72</i>
Se iluminan todas las indicaciones de temperatura y "alarm".	<p>Un sensor está defectuoso.</p> <ul style="list-style-type: none"> ▶ Ponerse en contacto con el Servicio de atención al cliente. → <i>"Servicio de atención al cliente", Página 89</i>
La temperatura difiere considerablemente del valor seleccionado.	<p>Son posibles diferentes causas.</p> <ol style="list-style-type: none"> 1. Apagar el aparato. → <i>Página 71</i> 2. Volver a encender el aparato tras unos 5 minutos. → <i>Página 71</i> <ul style="list-style-type: none"> - Si la temperatura es demasiado alta, volver a comprobarla al cabo de unas pocas horas. - Si la temperatura es demasiado baja, volver a comprobarla al día siguiente.
Sale agua del aparato.	<p>La conexión o la manguera de alimentación de agua tiene fugas.</p> <ul style="list-style-type: none"> ▶ Comprobar que las conexiones a la toma de agua estén firmemente apretadas y la manguera de agua se encuentre en buen estado. En caso necesario, cambiar la manguera de agua. <hr/> <p>La bandeja de goteo está rebosando.</p> <ul style="list-style-type: none"> ▶ Limpiar la bandeja de goteo. → <i>Página 79</i>
El dispensador de agua se reduce.	<p>La presión del agua es demasiado baja.</p> <ul style="list-style-type: none"> ▶ Comprobar la presión de agua del dispositivo de suministro de agua o del sistema de filtro de agua exterior, p. ej., el sistema de ósmosis inversa. Conectar a una toma de agua con suficiente presión. → <i>Página 65</i> <hr/> <p>El filtro de agua está obstruido.</p> <ul style="list-style-type: none"> ▶ Sustituir el filtro de agua. → <i>Página 76</i>
El dispensador de hielo y agua gotea.	<p>Hay aire en el sistema de agua.</p> <ul style="list-style-type: none"> ▶ Retirar el agua hasta que no quede aire. <hr/> <p>Los restos de hielo del conducto de hielo se están derritiendo.</p>

Falla	Causas y resolución de problemas
El dispensador de hielo y agua gotea.	<ul style="list-style-type: none"> ▶ Retirar los restos de hielo del conducto de hielo, p. ej., con una cuchara de madera.
Se forma condensación en la abertura de dispensación del depósito para cubitos y en el conducto de hielo.	 <p>El agua contenida en el aire húmedo y cálido se condensa en las superficies del aparato que se encuentran a menor temperatura.</p> <ul style="list-style-type: none"> ▶ No se debe abrir la puerta del aparato innecesariamente. <p>Los restos de hielo del conducto de hielo se están derritiendo.</p> <ol style="list-style-type: none"> 1. Limpiar el agua procedente de la descongelación con un paño suave y seco. 2. Mantener abierto el aparato el menor tiempo posible. 3. Asegurarse de que el aparato esté siempre cerrado correctamente.
La producción de cubitos de hielo es baja.	<p>El aparato está conectado.</p> <ul style="list-style-type: none"> ▶ Esperar aprox. 4 horas hasta que finalice la primera producción de cubitos de hielo. <p>El congelador se ha abierto con frecuencia o se ha mantenido abierto durante un periodo prolongado.</p> <ul style="list-style-type: none"> ▶ Comprobar la producción de cubitos de hielo tras unas horas. <p>La presión del agua es demasiado baja.</p> <ul style="list-style-type: none"> ▶ Comprobar la presión de agua del dispositivo de suministro de agua o del sistema de filtro de agua exterior, p. ej., el sistema de ósmosis inversa. Conectar a una toma de agua con suficiente presión. → <i>Página 65</i> <p>El filtro de agua está obstruido.</p> <ul style="list-style-type: none"> ▶ Sustituir el filtro de agua. → <i>Página 76</i>
El dispensador de hielo y agua no funciona.	<p>La producción de cubitos de hielo está desactivada.</p> <ul style="list-style-type: none"> ▶ Activar la producción de cubitos de hielo. <p>El bloqueo de las teclas está activado</p> <ul style="list-style-type: none"> ▶ Desactivar el bloqueo de las teclas. → <i>Página 71</i> <p>El depósito para cubitos de hielo no está bien colocado.</p> <ul style="list-style-type: none"> ▶ Colocar completamente el depósito para cubitos de hielo. → <i>Página 80</i> <p>Los cubitos de hielo están adheridos entre sí en el conducto de hielo.</p> <ul style="list-style-type: none"> ▶ Retirar los cubitos de hielo del conducto de hielo, p. ej., con una cuchara de madera.
	
	<p>La presión del agua es demasiado baja.</p> <ul style="list-style-type: none"> ▶ Comprobar la presión de agua del dispositivo de suministro de agua o del sistema de filtro de agua exterior, p. ej., el sistema de ósmosis inversa. Conectar a una toma de agua con suficiente presión. → <i>Página 65</i>

Falla	Causas y resolución de problemas
El dispensador de hielo y agua no funciona.	El filtro de agua está obstruido. ▶ Sustituir el filtro de agua. → <i>Página 76</i>
	No hay alimentación de agua. ▶ Asegurarse de que haya alimentación de agua disponible y de que la válvula de cierre de la toma de agua esté abierta. En caso necesario, ponerse en contacto con un instalador.
	Hay una doblez en la manguera de agua. ▶ Apagar el suministro de agua y rectificar la doblez de la manguera de agua. En caso necesario, cambiar la manguera de agua.
	Falla en el dispensador de hielo y agua. 1. Apagar el aparato. → <i>Página 71</i> 2. Desconectar el aparato de la red eléctrica. Extraer el enchufe del cable de conexión de red o desconectar el fusible de la caja de fusibles. 3. Volver a conectar el aparato tras cinco minutos. 4. Si la falla persiste, avisar al Servicio de atención al cliente. → <i>Página 89</i>
El aparato suena, burbujea, traquetea o emite zumbidos, chasquidos, crujidos o ruidos de agua en movimiento.	No se trata de una falla. Hay un motor en marcha (compresores, ventilador). Fluye refrigerante a través de los tubos. El motor, los interruptores, las electroválvulas o las válvulas de agua se conectan o desconectan. Se ejecuta el desescarchado automático. Los cubitos de hielo caen en el depósito para cubitos de hielo. No es necesario realizar ninguna acción.
El aparato hace ruidos.	El aparato está colocado en posición desnivelada. ▶ Nivelar el aparato con la ayuda de un nivel de burbuja y de las patas atornilladas.
	El aparato no está libre. ▶ Mantener las distancias mínimas del aparato.
	Los elementos del aparato se tambalean o se quedan atascados. ▶ Comprobar los elementos extraíbles y, en caso necesario, volver a introducirlos.
	Las botellas o recipientes entran en contacto mutuo. ▶ Separar las botellas o recipientes entre sí.
	La función Supercongelación está activada. No es necesario realizar ninguna acción.

16.1 Interrupción del suministro eléctrico

Al producirse un corte en el suministro eléctrico, la temperatura del aparato aumenta, lo que reduce el tiempo de almacenamiento y afecta a la calidad de los productos congelados.

Notas

- Durante el corte de suministro eléctrico, se recomienda abrir el aparato lo menos posible y no guardar nuevos alimentos.

- Al finalizar el corte de suministro eléctrico, es preciso comprobar la calidad de los alimentos.
 - Desechar los productos congelados que se hayan descongelado y estén a temperaturas superiores a los 41 °F (5 °C).
 - Los productos congelados que se hayan descongelado ligeramente se pueden cocinar o calentar ligeramente para su consumo; también es posible volver a congelarlos.

16.2 Ejecutar la autocomprobación del aparato

Su aparato dispone de una comprobación automática, que muestra averías que puede subsanar el Servicio de atención al cliente.

1. Apagar el aparato. → *Página 71*

2. Desenchufar el aparato de la red eléctrica.

Extraer el enchufe del cable de conexión de red o quitar el fusible de la caja de fusibles.

3. Transcurridos 5 minutos, volver a conectar el aparato a la red eléctrica. → *Página 66*

- ✓ El panel de control muestra una animación y se bloquea.

4. Una vez transcurrido un minuto desde la conexión, mantener presionado **super** (compartimiento de refrigeración) de 3 a 5 segundos hasta que suene una señal acústica.
 - ✓ Se inicia la autocomprobación del aparato.
 - ✓ Si, al finalizar la autocomprobación del aparato, suenan 2 señales acústicas y aparece la temperatura ajustada en el indicador de temperatura, los sensores de temperatura del aparato funcionan correctamente. El aparato vuelve al modo de funcionamiento normal.
 - ✓ Si, al finalizar la comprobación automática del aparato, suenan 5 señales acústicas, se deberá avisar al Servicio de atención al cliente.
5. Presionar **super** (congelador) para cambiar el aparato a funcionamiento normal.
 - ✓ Las indicaciones de temperatura muestran las temperaturas ajustadas → *Página 71*.

17 Almacenamiento y eliminación

17.1 Interrumpir el funcionamiento del aparato

1. Apagar el aparato. → *Página 71*
2. Desenchufar el aparato de la red eléctrica.
Extraer el enchufe del cable de conexión de red o quitar el fusible de la caja de fusibles.
3. Desconectar el aparato de la toma de agua.
4. Extraer todos los alimentos.
5. Desmontar el filtro de agua. → *Página 76*
6. Limpiar el aparato. → *Página 79*
7. **AVISO:** Los objetos atrapados entre la puerta y la carcasa pueden dañar la bisagra de la puerta.
 - ▶ Abrir la puerta hasta que se quede abierta por sí sola.
 - ▶ No introducir ningún objeto entre la puerta y la carcasa.

Para asegurar la ventilación del interior del aparato, dejar la puerta abierta.

17.2 Eliminación de los aparatos usados

Mediante una eliminación respetuosa con el medio ambiente se pueden reutilizar materias primas valiosas.

ADVERTENCIA

- Los niños pueden quedar encerrados en el aparato y poner así en peligro su vida.
- ▶ Retirar las puertas y los cajones del aparato.
 - ▶ Dejar las bandejas y recipientes dentro del aparato para dificultar que los niños puedan acceder al interior del mismo.
 - ▶ Mantenga a los niños lejos de los aparatos usados.

ADVERTENCIA

Si las tuberías están dañadas, se puede escapar refrigerante inflamable y gases nocivos, lo que puede provocar un incendio.

- ▶ No dañe las tuberías del circuito de refrigeración y aislamiento.
1. Desenchufar el cable de conexión a la red de la toma de corriente.
 2. Separar el cable de conexión a la red.
 3. Retirar las puertas y los cajones del aparato.
 4. Desechar el aparato de manera respetuosa con el medio ambiente.
- Su distribuidor o el ayuntamiento local puede proporcionarle información sobre las vías y posibilidades actuales de desecho de materiales.

18 Servicio de atención al cliente

En cada reparación cubierta por la garantía, nos aseguramos de que su aparato sea reparado con repuestos originales por un proveedor de servicio capacitado y autorizado. Solo utilizamos repuestos originales para todos los tipos de reparaciones.

Las informaciones detalladas sobre el periodo de validez de la garantía y las condiciones de garantía las podrá encontrar en nuestras condiciones de garantía, con su distribuido o en nuestra página web.

Cuando se ponga en contacto con el servicio de atención al cliente, no olvide indicar el número de modelo (E-Nr.), el número de fabricación (FD) y el número de conteo (Z-Nr.) del aparato.

USA:

1-800-944-2904

www.bosch-home.com/us/owner-support/get-support

www.bosch-home.com/us/shop

CA:

1-800-944-2904

www.bosch-home.ca/en/service/get-support

www.bosch-home.ca/en/service/cleaners-and-accessories

Aquí podrá encontrar ayuda para la conexión con Home Connect®:

www.home-connect.com/us/en/help-support/set-up

18.1 Número de modelo (E-Nr.), número de fabricación (FD) y número de conteo (Z-Nr.)

El número de modelo (E-Nr.), el número de fabricación (FD) y el número de conteo (Z-Nr.) se encuentran en la placa de características del aparato.

→ "Aparato", Fig. , *Página 68*

Para volver a encontrar rápidamente los datos del aparato o el número de teléfono del servicio de atención al cliente, puede anotar dichos datos.

19 Datos técnicos

En la placa de características del aparato figuran el líquido refrigerante empleado, la capacidad útil y otras especificaciones técnicas.

→ "Aparato", Fig. 1/8, Página 68

19.1 Informaciones referentes al software libre y de código abierto

El presente producto contiene componentes de software que están licenciados como software libre y de código abierto por los derechos de autor.

Las informaciones de licencia correspondientes se encuentran memorizadas en el aparato. También se puede acceder a las informaciones de licencia correspondientes a través de la aplicación

Home Connect®: «Perfil -> Advertencias legales -> Informaciones de licencia». ¹ Se puede descargar las informaciones de licencia en la página web de la marca del producto. (Por favor, busque el modelo de aparato y demás documentos en la página web del producto).

También se pueden solicitar las informaciones correspondientes en ossrequest@bshg.com o BSH Hausgeräte GmbH, Carl-Wery-Str. 34, D-81739 München.

El código fuente se pondrá a disposición a pedido.

Por favor, envíe su solicitud a ossrequest@bshg.com o BSH Hausgeräte GmbH, Carl-Wery-Str. 34, D-81739 München.

Asunto: „OSSREQUEST“

Los costos para el trámite de su solicitud le serán facturados. Esta oferta es válida por tres años a partir de la fecha de compra o, como mínimo, por el tiempo en el que ofrecemos asistencia técnica y repuestos para el aparato correspondiente.

¹ Según el equipamiento del aparato



Register your appliance to enjoy customized benefits.

Thank you for being a Bosch customer!
Simply create a MyBosch account, then register your appliance.
You'll find a variety of customized information in MyBosch such as:

- **Discounts for filters, cleaners, accessories & parts**
- **Easy access to manuals & appliance specifications**
- **Easy access to part lists**
- **Customized offer for the Bosch Appliance Service Plan (sent by mail after appliance registration)**

Register here:
www.bosch-home.com/us/owner-support/mybosch

BOSCH
HOME APPLIANCES
SERVICE

Looking for help? You'll find it here.

No matter what, no matter when: Bosch is here to support you.
We're here to assist with usage instructions, cleaning tips,
accessories & parts, troubleshooting, and repairs.
Find online resources such as FAQs, how-to-videos, manuals,
warranties and authorized Bosch servicers at:
www.bosch-home.com/us/owner-support/get-support

Contact us:
Please have your Model Number (E-Nr) ready when contacting us.
1-800-944-2904
www.bosch-home.com/us/owner-support/contact-us

BSH Home Appliances Corporation
1901 Main Street, Suite 600
Irvine, CA 92614
USA
www.bosch-home.com
1-800-944-2904
© 2025 BSH Home Appliances Corporation



9001806139 (050424)
en-us, fr-ca, es-mx