

**24" 3.7 cu.ft. Vented Front Load Dryer****BLDV243700SEWG****Key Features & Benefits****OptiSense Technology**

OptiSense Technology offers precise control over water usage, energy efficiency, detergent levels, and wash time, ensuring the perfect wash every time while maximizing resource savings.

Quick Dry

The Quick Dry Cycle on Blomberg's dryers delivers fast, efficient drying for smaller loads, saving you time without compromising on performance. Perfect for when you need your clothes dry in a hurry.

Large Capacity

Blomberg's Large Capacity Dryers allow you to dry more in each load, reducing the number of cycles needed and saving you time and energy while ensuring optimal drying performance.

Connected Laundry - Wi-Fi Enabled

Blomberg's Wi-Fi Enabled Washers allow you to control and monitor your laundry remotely via a smartphone app, offering ultimate convenience and flexibility from anywhere, anytime.

GENERAL PROPERTIES

Dryer Type	Electric, Air vented
Drum Material	Stainless Steel
Style	Front Load
Capacity	3.77 cu. Ft.
Connectivity	WiFi via HomeWhiz
Stackable	Yes
Stacking Kit	Yes (Included)
Ability To Be Side Vented	No
Matching Washer	BLWM242300SWG
CFM	120 CFM (without duct connection)

MAIN FEATURES

OptiSense	Yes
Interior Drum LED Lighting	Yes
Clean Filter Indicator	Yes
Delay Start Time	0-24 Hours
Time Remaining Indicator	Yes
End of Cycle Buzzer	Yes
Child Lock	Yes
Adjustable Leveling Legs	4
# of Cycles	10
# of Options	2
Steam	Yes
Anti-Crease Option	Yes
Quick Dry	Yes

DIMENSIONS

Product Dimensions (H x W x D)	33 11/16" x 23 9/16" x 25 1/2"
Product Dimensions with Door Open (H x W x D)	33 11/16" x 23 9/16" x 40 7/8"
Product Height When Stacked	68"
Product Weight	104.72 lbs.
Shipping Weight	119.05 lbs.

TECHNICAL DETAILS

Energy Source	Electric
Total Power (W)	2000-2400
Current (A)	9.1 - 10.5
Minimum Circuit Breaker / Rated Amps	9.5A
Circuit Required for Laundry Pair	20A
Volts	208-240V
Frequency	60Hz
Power Cord Type	Included, 4-Wire (NEMA 14 -30R)
Power Cord Length	4.9 ft.
Door Hinge Location	Right Side
Reversible Door	No

EFFICIENCY

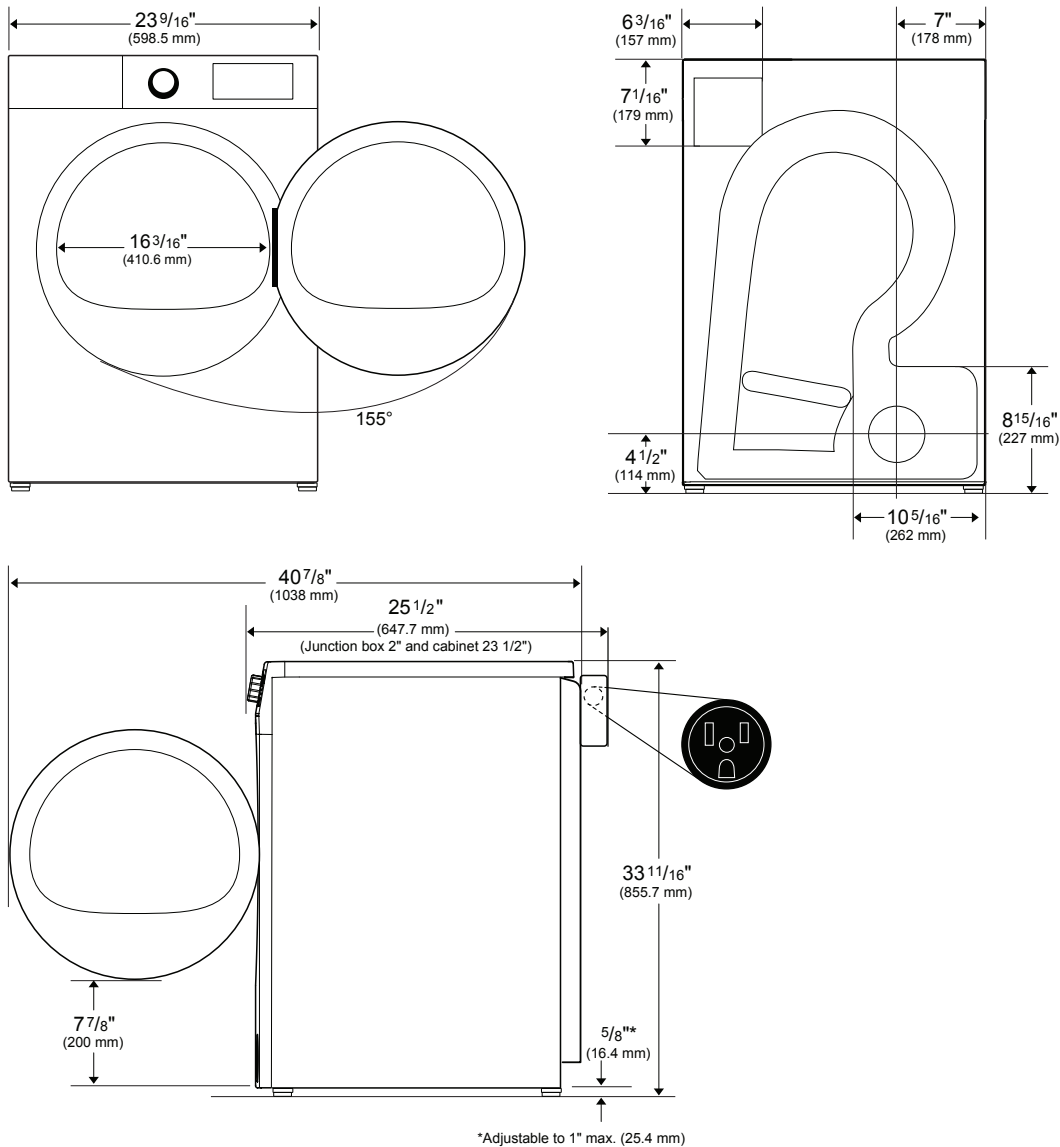
ENERGY STAR® Certified	No
Total Annual Energy Consumption (kWh)	258

WARRANTY

Full Warranty	1 Year
Parts Warranty	2 Years
Circuit Boards - Parts Only	5 Years
Stainless Steel Drum - Parts Only	Lifetime

**24" 3.7 cu.ft. Vented Front Load Dryer****BLDV243700SEWG**

Dimensions and Installation



NOTE TO THE INSTALLER: All height, width and depth dimensions are shown in inches (as well as metric). Beko Canada Inc. and Beko US Inc., reserves the absolute and unrestricted right to change product materials and specifications, at any time, without notice. Please visit our website (Canada) www.blombergappliances.ca / (USA) www.blombergappliances.com or call (Canada) 855-643-2356 / (USA) 888-352-2356 to verify the latest specifications with final dimensional data and other details prior to installation and making a cutout. Applicable product limited warranty information may be found in accompanying product materials or you may contact your account manager for further details. Proper installation is the responsibility of the installer. Product failure due to improper installation is not covered under the Limited Warranty.

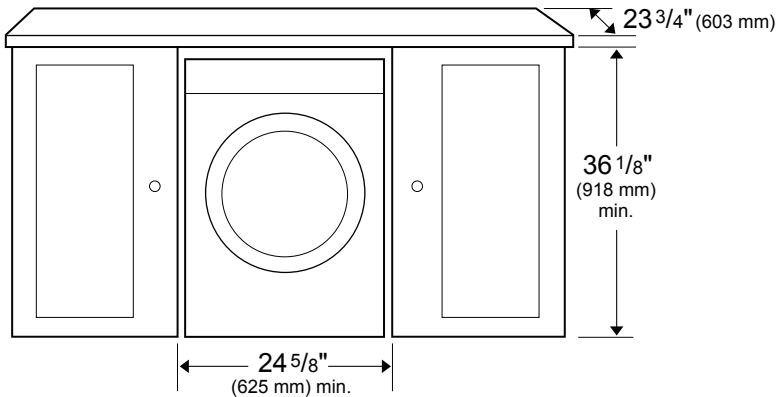
Canada: 855-643-2356 | www.blombergappliances.ca
USA: 888-352-2356 | www.blombergappliances.com

**24" 3.7 cu.ft. Vented Front Load Dryer****BLDV243700SEWG**

Dimensions and Installation

Clearances for Undercounter Installation

Only Vented Dryer

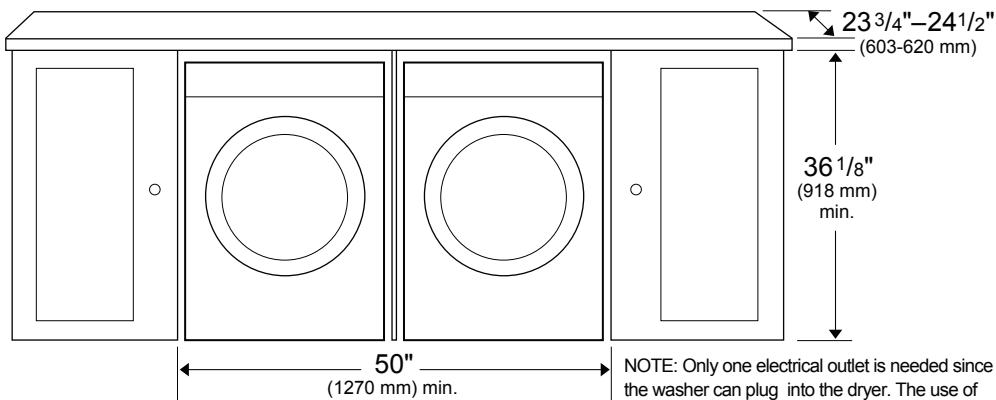


Required Minimum Clearances:
(Stand Alone, Side by Side, or Stacked)

Washer	Vented Dryer
Top: 1" (25 mm)	Top: 1" (25 mm)
Sides: 1/2" (13 mm)	Sides: 3/16" (4 mm)
Rear: 1/2" (13 mm)	Rear: 4" (101.6 mm)
Front: 1/2" (13 mm)	Front: 3/16" (5 mm)

Clearances for Undercounter Installation

Both Washer and Vented Dryer



NOTE: Only one electrical outlet is needed since the washer can plug into the dryer. The use of two electrical outlets may be used as an alternative.

Closet Door Ventilation Requirement

Washer:

A louver having minimum 23 in² (148 cm²) air opening located at 3 in (7.62 cm) distance from the bottom of closet door.

Vented Dryer:

A louver having minimum 46 in² (297 cm²) air opening located at 3 in (7.62 cm) distance from the top of closet door.

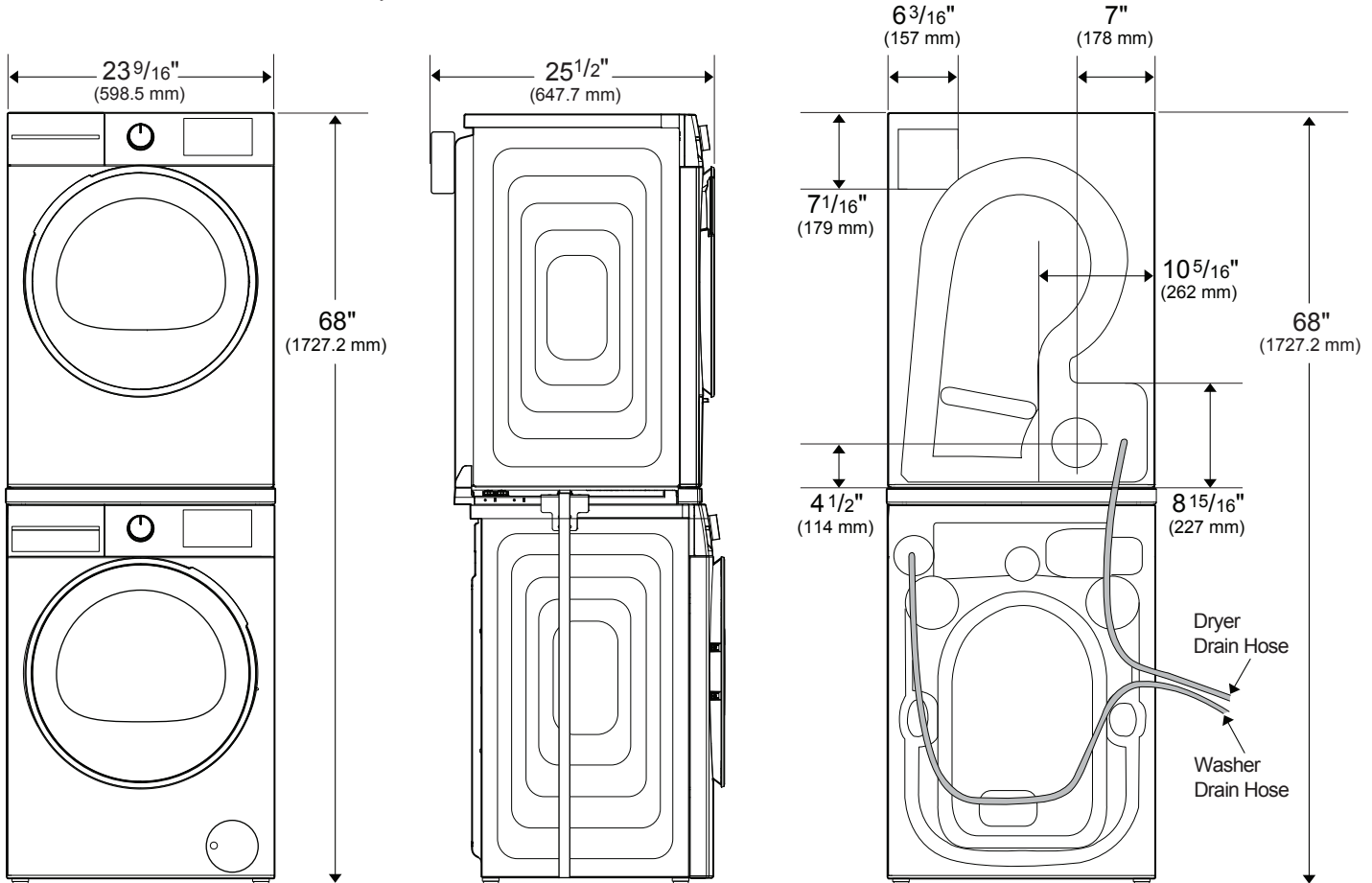
Heat Pump Dryer:

Closet door must have 2 openings, one located 3.2 inches (8 cm) from bottom of door having a minimum area of 16 in² (103 cm²) and the other one located 3 inches (7.5 cm) from top of door having a minimum area of 46 in² (294 cm²).

**24" 3.7 cu.ft. Vented Front Load Dryer****BLDV243700SEWG**

Dimensions and Installation

Stacked Installation – Washer and Vented Dryer



NOTE: Only one electrical outlet is needed since the washer can plug into the dryer. The use of two electrical outlets may be used as an alternative.

Metal rigid duct	
Number of Elbows	Length
0	92ft (28.0m)
1	82ft (25.0m)
2	72ft (21.9m)
3	62ft (18.9m)
4	52ft (15.8m)

Air Flow : 120 CFM (without duct connection)

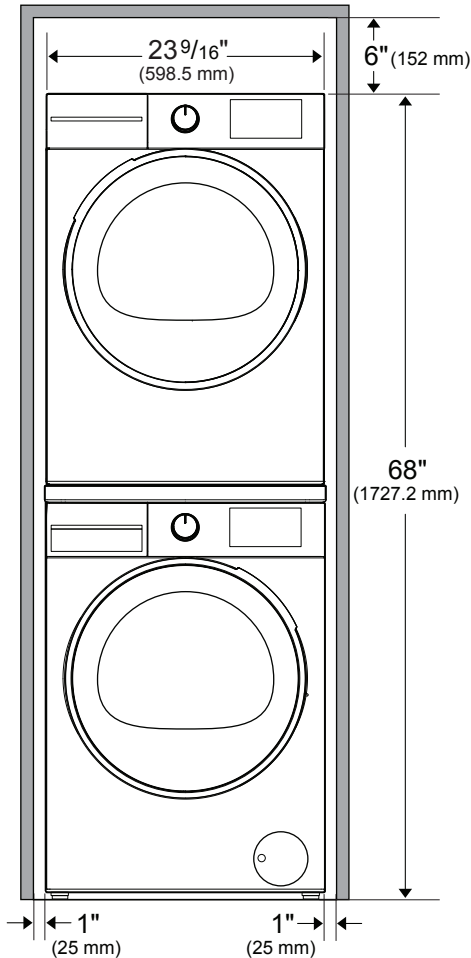


24" 3.7 cu.ft. Vented Front Load Dryer

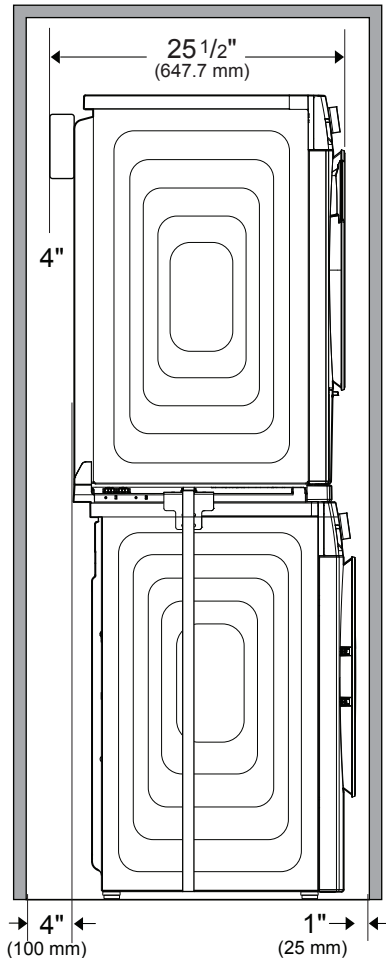
BLDV243700SEWG

Dimensions and Installation

Stacked Installation in Closet or Enclosed Space – Washer and Vented Dryer

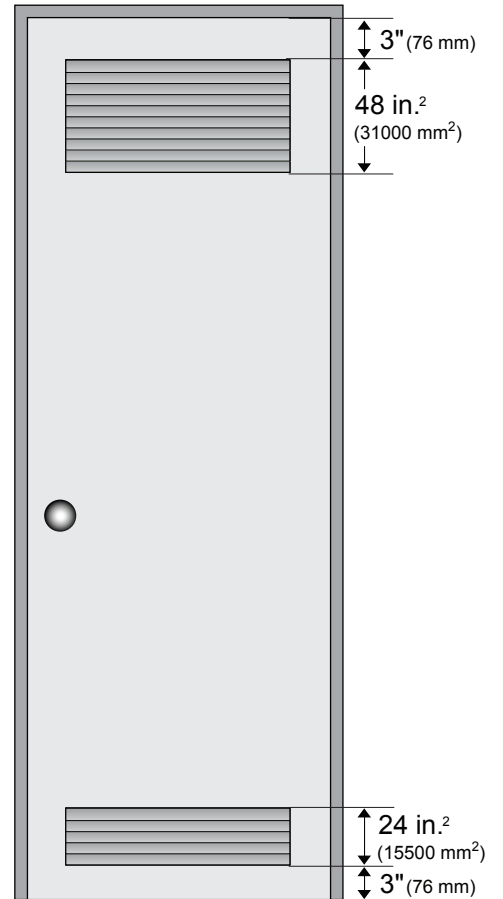


NOTE: Only one electrical outlet is needed since the washer can plug into the dryer. The use of two electrical outlets may be used as an alternative.



NOTE: The 4" clearance that is required should be measured from the back of the dryer cabinet, NOT from the junction box located at the top rear of the dryer.

NOTE: The 4" clearance is NOT measured from the back of the washer cabinet.



NOTE: The front of the closet must have two unobstructed air openings for a combined minimum total area of 72 sq.in. (465 sq.cm) with a minimum clearance of 3 in. (76 mm) at the top and bottom. A slatted door with equivalent space clearance is acceptable.