

**24" 2.3 cu.ft. Compact Front Load Washer, ENERGY STAR®****BLWM242300SWG****Key Features & Benefits****ENERGY STAR®**

Blomberg believes that conscious living should extend to clothing care. That's why we bring intelligent energy and water conservation to the laundry room. All our washers are ENERGY STAR® certified and feature automatic water adjustment for every load, ensuring efficiency and sustainability.

**Quick Wash**

When time is tight and you need your outfit washed in a hurry, Blomberg's Quick Wash Cycle delivers super-fast results for smaller loads—so you can move on without worry.

**Large Capacity Washers**

This Large Capacity Washer lets you clean more in a single load, saving both time and energy while delivering perfect washing results.

**Connected Laundry - Wi-Fi Enabled**

Blomberg's Wi-Fi Enabled Washers allow you to control and monitor your laundry remotely via a smartphone app, offering ultimate convenience and flexibility from anywhere, anytime.

**GENERAL PROPERTIES**

|               |                   |
|---------------|-------------------|
| Drum Material | Stainless Steel   |
| Style         | Front Load        |
| Capacity      | 2.3 cu. ft.       |
| Load Capacity | 10 kg             |
| Connectivity  | WiFi via HomeWhiz |
| Stackable     | Yes               |
| Matching Dyer | BLDV243700SEWG    |

**MAIN FEATURES**

|                               |                                    |
|-------------------------------|------------------------------------|
| Maximum Spin Speed            | 1400 RPM                           |
| Variable Spin Speed           | Yes                                |
| Unbalance Detection System    | Yes                                |
| Automatic Temperature Control | Yes                                |
| Internal Water Heater         | Yes                                |
| Interior Light                | No                                 |
| Leak Protection System        | Yes                                |
| Delay Start Time              | 0-19 Hours                         |
| Time Remaining Indicator      | Yes                                |
| Dispenser Drawer              | Detergent, Fabric Softener, Bleach |
| Door Lock Indicator           | Yes                                |
| Child Lock                    | Yes                                |
| Adjustable Leveling Legs      | 4                                  |
| # of Wash Cycles              | 14                                 |
| # of Options                  | 9                                  |
| Quick Wash                    | Yes                                |
| Steam                         | Yes                                |

**DIMENSIONS**

|                                               |                             |
|-----------------------------------------------|-----------------------------|
| Product Dimensions (H x W x D)                | 33 1/4" x 23 5/8" x 23 1/2" |
| Product Dimensions with Door Open (H x W x D) | 33 1/4" x 23 5/8" x 39 1/2" |
| Product Weight                                | 163.14 lbs.                 |
| Shipping Weight                               | 169.75 lbs.                 |

**TECHNICAL DETAILS**

|                                      |                               |
|--------------------------------------|-------------------------------|
| Watts                                | 1100                          |
| Minimum Circuit Breaker / Rated Amps | 12A                           |
| Circuit Required for Laundry Pair    | 24A                           |
| Volts                                | 120 V                         |
| Frequency                            | 60Hz                          |
| Power Cord Type                      | Included, 3-Wire (NEMA 6-15R) |
| Power Cord Length                    | 4.9 ft                        |
| Drain Hose Length                    | 62 1/2"                       |
| Inlet Hose Length                    | 57"                           |
| Door Hinge Location                  | Left Side                     |
| Reversible Door                      | No                            |

**EFFICIENCY**

|                                       |     |
|---------------------------------------|-----|
| ENERGY STAR® Certified                | Yes |
| Total Annual Energy Consumption (kWh) | 73  |

**WARRANTY**

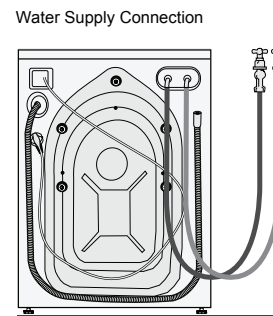
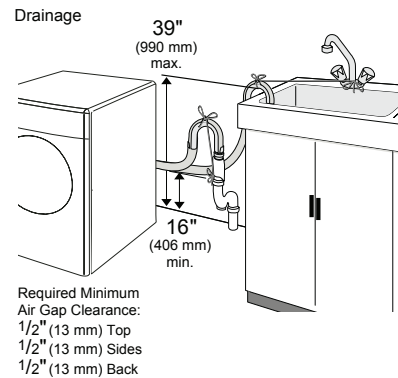
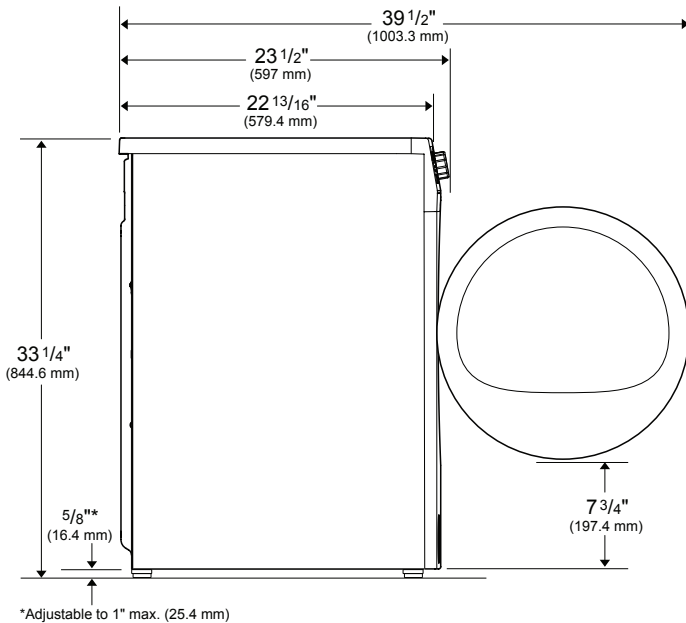
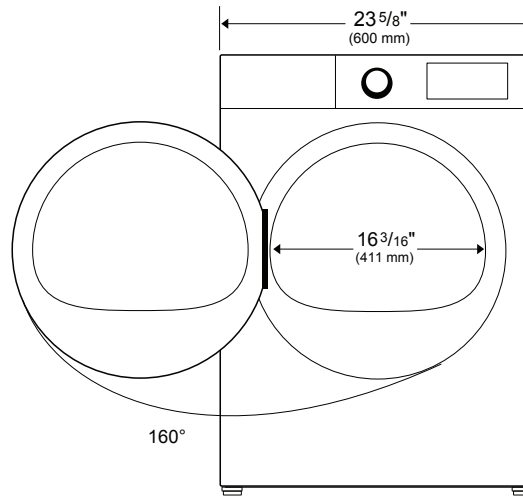
|                                   |          |
|-----------------------------------|----------|
| Full Warranty                     | 1 Year   |
| Parts Warranty                    | 2 Years  |
| Circuit Boards - Parts Only       | 5 Years  |
| Stainless Steel Drum - Parts Only | Lifetime |



**24" 2.3 cu.ft. Compact Front Load Washer, ENERGY STAR<sup>®</sup>**

**BLWM242300SWG**

Dimensions and Installation



NOTE TO THE INSTALLER: All height, width and depth dimensions are shown in inches (as well as metric). Beko Canada Inc. and Beko US Inc., reserves the absolute and unrestricted right to change product materials and specifications, at any time, without notice. Please visit our website (Canada) [www.blombergappliances.ca](http://www.blombergappliances.ca) / (USA) [www.blombergappliances.com](http://www.blombergappliances.com) or call (Canada) 855-643-2356 / (USA) 888-352-2356 to verify the latest specifications with final dimensional data and other details prior to installation and making a cutout. Applicable product limited warranty information may be found in accompanying product materials or you may contact your account manager for further details. Proper installation is the responsibility of the installer. Product failure due to improper installation is not covered under the Limited Warranty.



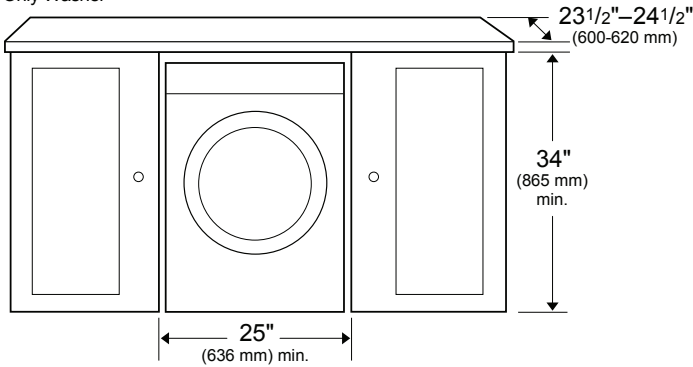
## 24" 2.3 cu.ft. Compact Front Load Washer, ENERGY STAR®

## BLWM242300SWG

### Dimensions and Installation

#### Clearances for Undercounter Installation

Only Washer

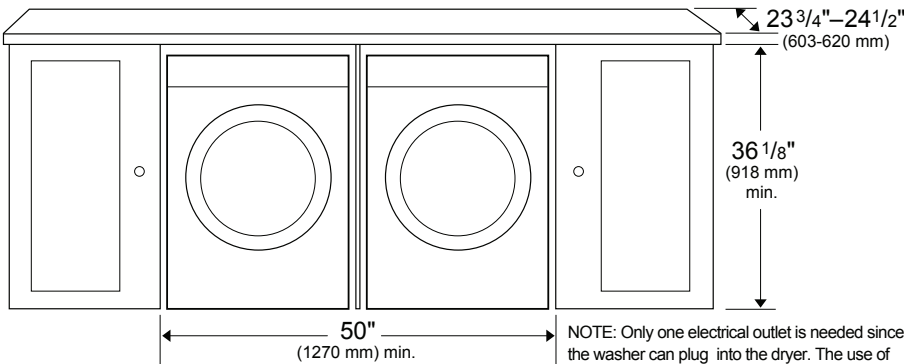


Required Minimum Clearances:  
(Stand Alone, Side by Side, or Stacked)

| Washer              | Vented Dryer        | Heat Pump Dryer     |
|---------------------|---------------------|---------------------|
| Top: 1" (25 mm)     | Top: 1" (25 mm)     | Top: 1" (25 mm)     |
| Sides: 1/2" (13 mm) | Sides: 3/16" (4 mm) | Sides: 1/2" (13 mm) |
| Rear: 1/2" (13 mm)  | Rear: 4" (101.6 mm) | Rear: 1/2" (13 mm)  |
| Front: xxxxx        | Front: 3/16" (5 mm) | Front: 3/16" (5 mm) |

#### Clearances for Undercounter Installation

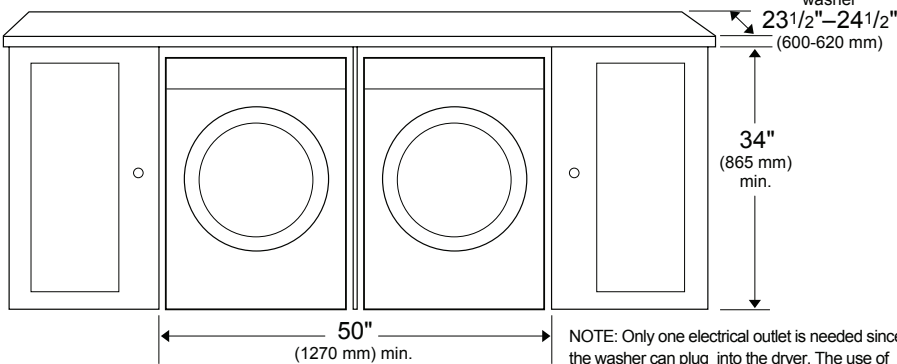
Both Washer and Vented Dryer



NOTE: Only one electrical outlet is needed since the washer can plug into the dryer. The use of

#### Clearances for Undercounter Installation

Both Washer and Heat Pump Dryer



NOTE: Only one electrical outlet is needed since the washer can plug into the dryer. The use of

#### Closest Door Ventilation Requirement

**Washer:**  
A louver having minimum 23 in<sup>2</sup> (148 cm<sup>2</sup>) air opening located at 3 in (7.62 cm) distance from the bottom of closet door.

**Vented Dryer:**  
A louver having minimum 46 in<sup>2</sup> (297 cm<sup>2</sup>) air opening located at 3 in (7.62 cm) distance from the top of closet door.

**Heat Pump Dryer:**  
Closet door must have 2 openings, one located 3.2 inches (8 cm) from bottom of door having a minimum area of 16 in<sup>2</sup> (103 cm<sup>2</sup>) and the other one located 3 inches (7.5 cm) from top of door having a minimum area of 46 in<sup>2</sup> (294 cm<sup>2</sup>).

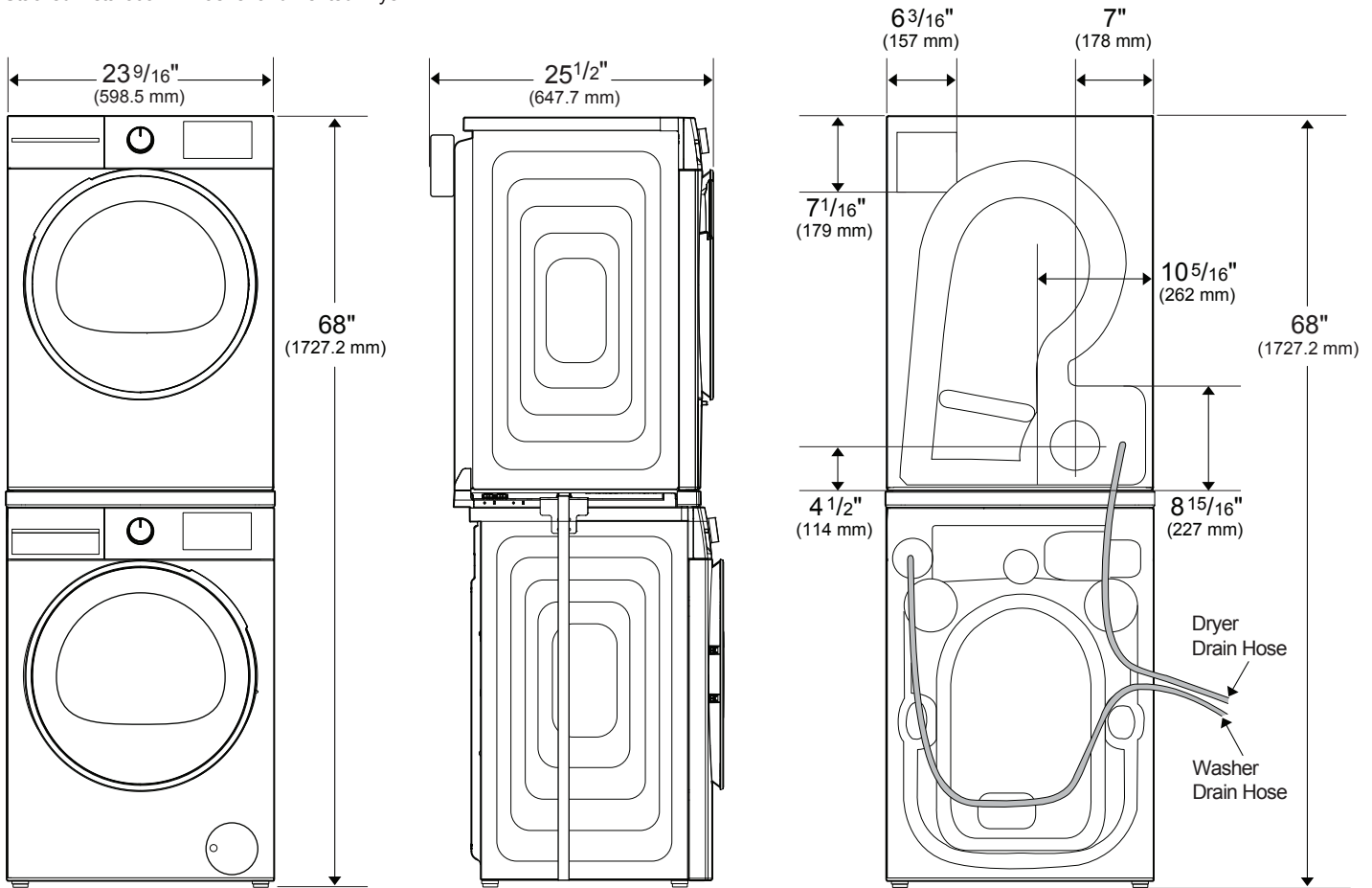


**24" 2.3 cu.ft. Compact Front Load Washer, ENERGY STAR<sup>®</sup>**

**BLWM242300SWG**

Dimensions and Installation

Stacked Installation – Washer and Vented Dryer



NOTE: Only one electrical outlet is needed since the washer can plug into the dryer. The use of two electrical outlets may be used as an alternative.

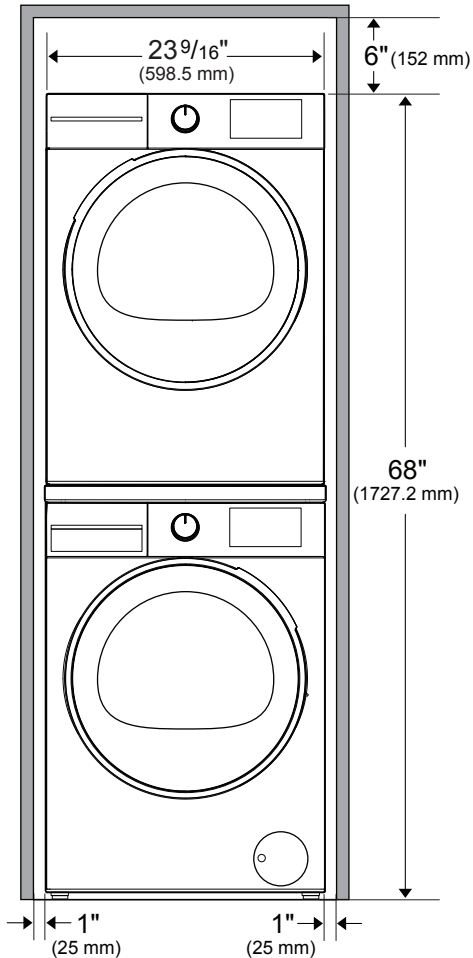


**24" 2.3 cu.ft. Compact Front Load Washer, ENERGY STAR<sup>®</sup>**

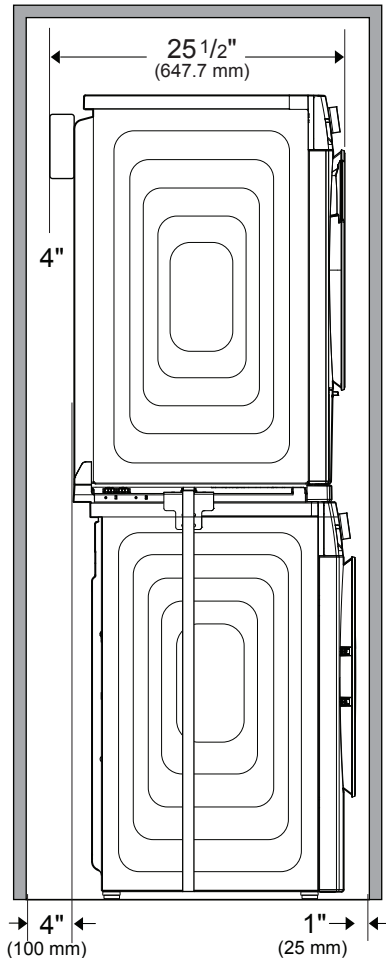
**BLWM242300SWG**

**Dimensions and Installation**

Stacked Installation in Closet or Enclosed Space – Washer and Vented Dryer

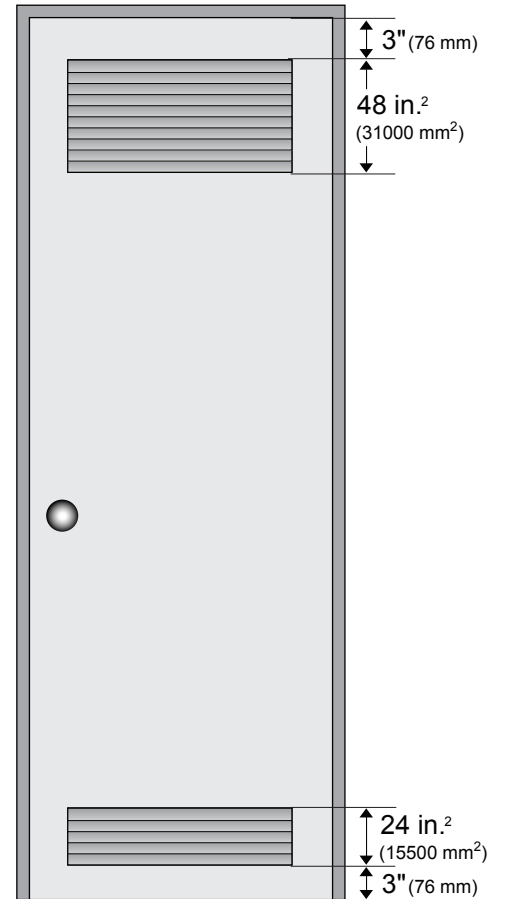


NOTE: Only one electrical outlet is needed since the washer can plug into the dryer. The use of two electrical outlets may be used as an alternative.



NOTE: The 4" clearance that is required should be measured from the back of the dryer cabinet, NOT from the junction box located at the top rear of the dryer.

NOTE: The 4" clearance is NOT measured from the back of the washer cabinet.



NOTE: The front of the closet must have two unobstructed air openings for a combined minimum total area of 72 sq.in. (465 sq.cm) with a minimum clearance of 3 in. (76 mm) at the top and bottom. A slatted door with equivalent space clearance is acceptable.