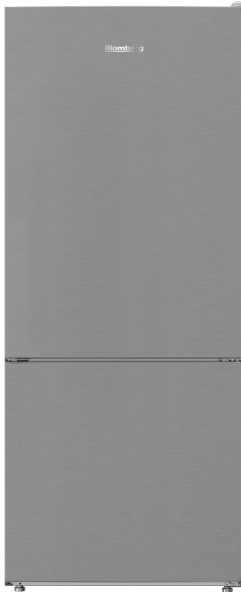


**28" 14.0 cu.ft. Counter-Depth Bottom Freezer Refrigerator,  
Pocket Handle, ENERGY STAR®****BRFB1532SS****Key Features & Benefits****Fingerprint-Free Stainless Steel**

Keep your kitchen looking beautiful with easy-to-clean Fingerprint-Free Stainless Steel—say goodbye to fingerprints and smudges!

**Counter-Depth**

These Counter-Depth Refrigerators are designed to blend seamlessly with your countertop, featuring hidden hinges and discreet, tucked-away feet for a truly built-in look and feel.

**Duo Cycle Frost-Free Cooling**

Duo Cycle Frost-Free Cooling maintains consistent air temperature and humidity in both the freezer and fresh food compartments, ensuring optimal food preservation and maximum energy efficiency.

**Freezer Guard**

With Freezer Guard technology, your freezer operates seamlessly in temperatures as low as -15°C (5°F), ensuring reliable performance in any environment.

**GENERAL PROPERTIES**

Type	Free Standing
Style	Counter-Depth
Exterior Finish	Fingerprint Free Stainless Steel
Reversible Door Hinge	Yes
Door Configuration - Freezer	Swing Door
Cooling System	Duo Cycle Frost Free Cooling
Water Filter	Electronic Controls
Control Type	Digital LED Display
Display Type	Side Wall
Display Location	Variable Speed VCC
Compressor	No
Automatic Ice Maker	No
Internal Water Dispenser	N/A
Freezer Guard – Garage Ready	Yes

**FRESH FOOD SECTION FEATURES**

Defrost Process	Frost Free
Lighting	LED - Top Ceiling & Side Walls
Modes	Quick Cool, Vacation, Sabbath
# of Shelves	4 - Full Depth
# of Adjustable Shelves	3 - Adjustable
Shelf Material	Tempered Glass Shelves
# of Door Bins	3
# of Gallon Sized Door Bins	None
Dairy Compartment	No
Full Width Drawer	No
Blue Light Technology	No
Humidity Controlled Crispers	1 Full Width (Humidity Controlled)

**FREEZER SECTION FEATURES**

Defrost Process	Frost Free
# of Drawers / Baskets / Bins	2 Removable Drawers
Lighting	No
Ice Cube Tray	No

**CAPACITY**

Total Capacity	14.0 cu. ft.
Fresh Food Capacity	9.97 cu. ft.
Freezer Capacity	4.03 cu. ft.

**TECHNICAL DETAILS**

Rated Current	1 A
Minimum Circuit Breaker Size	15 Amps
Volts	120 V
Frequency	60 Hz
Power Cord Length	6 ft.
Plug Type	NEMA 3-Prong
Sound Level	39 dBA

**DIMENSIONS & WEIGHT**

Appliance Dimensions (H x W x D)	67 11/16" x 27 9/16" x 26 3/8"
Minimum Clearance Needed - Top	2"
Minimum Clearance Needed - Sides	1 9/16"
Minimum Clearance Needed - Back	2"
Product Weight	174 lbs.

**EFFICIENCY**

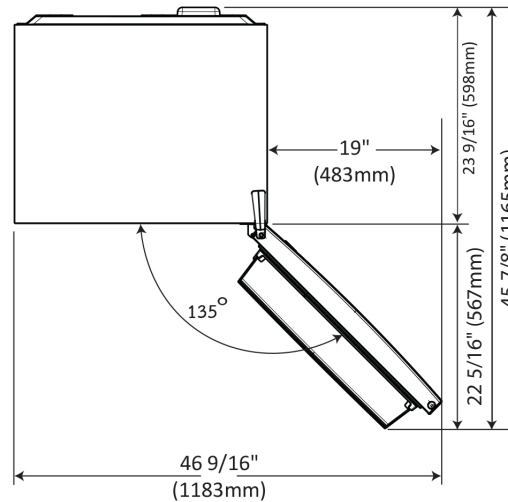
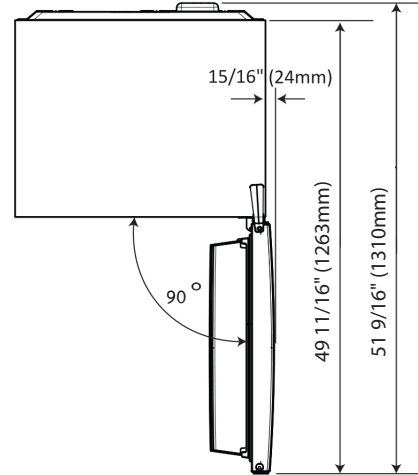
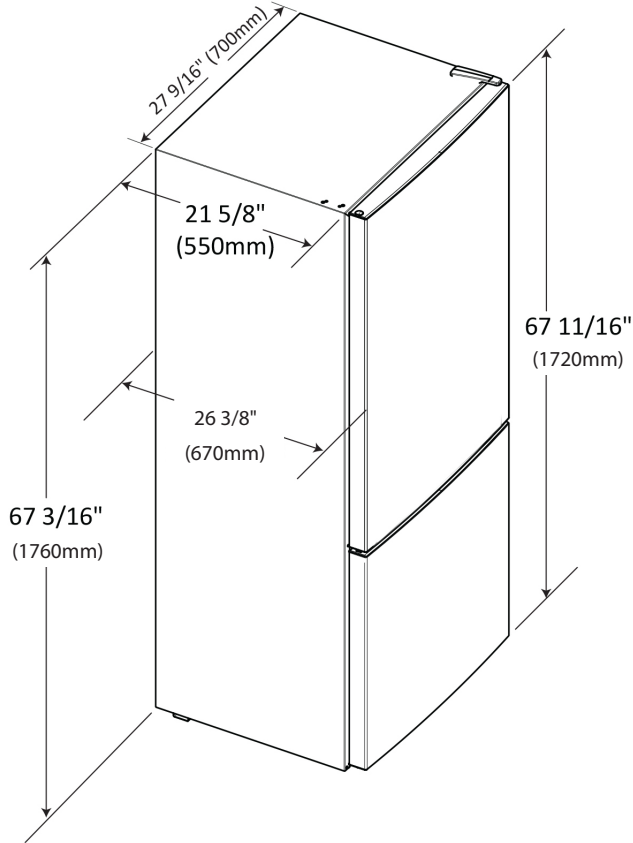
ENERGY STAR® Certified	Yes - Most Efficient
Energy Consumption	415 kwh/year



**28" 14.0 cu.ft. Counter-Depth Bottom Freezer Refrigerator,  
Pocket Handle, ENERGY STAR<sup>®</sup>**

**BRFB1532SS**

Dimensions and Installation



\*Drawers can be pulled out with door open 90°

1 YEAR FULL WARRANTY	2 YEARS PARTS WARRANTY	5 YEARS SEALED SYSTEM
-------------------------	---------------------------	--------------------------

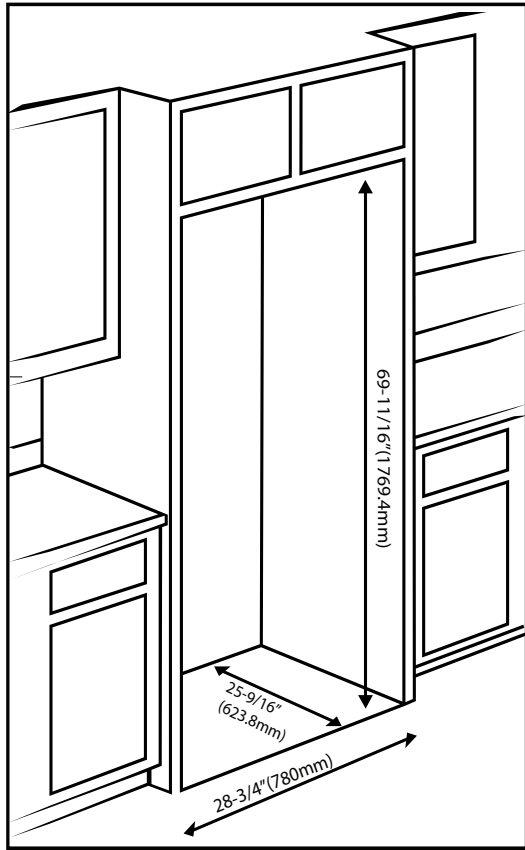
NOTE TO THE INSTALLER: All height, width and depth dimensions are shown in inches (as well as metric). Beko Canada Inc. and Beko US Inc., reserves the absolute and unrestricted right to change product materials and specifications, at any time, without notice. Please visit our website (Canada) [www.blombergappliances.ca](http://www.blombergappliances.ca) / (USA) [www.blombergappliances.com](http://www.blombergappliances.com) or call (Canada) 855-643-2356 / (USA) 888-352-2356 to verify the latest specifications with final dimensional data and other details prior to installation and making a cutout. Applicable product limited warranty information may be found in accompanying product materials or you may contact your account manager for further details. Proper installation is the responsibility of the installer. Product failure due to improper installation is not covered under the Limited Warranty.



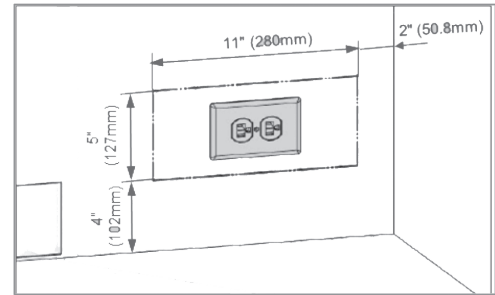
**28" 14.0 cu.ft. Counter-Depth Bottom Freezer Refrigerator,  
Pocket Handle, ENERGY STAR<sup>®</sup>**

**BRFB1532SS**

Dimensions and Installation



**Electrical**



Required Minimum Clearances:

- Top: 2"
- Sides: 1<sup>9</sup>/<sub>16</sub>" on each side
- Back: 2"