

**Chimney extension
CHXTHMIB**

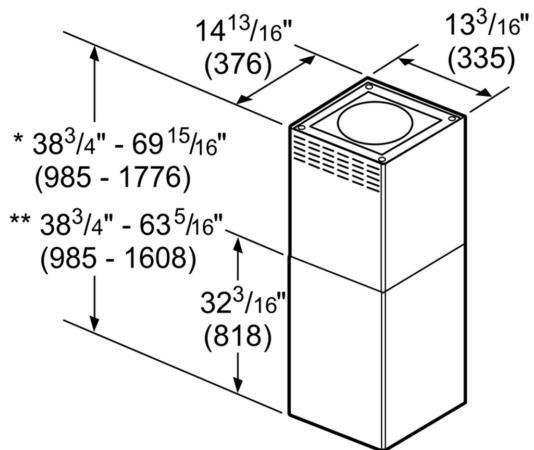


**Optional 9-12 foot ceilings chimney
extension kit for Masterpiece® HMIB
low-profile island hoods**

Product group:Accessory
Brand:Thermador
Product name / series name:
SKU:CHXTHMIB
Internal article number:00000000000718485
EAN code:825225956273
Product Packaging Dimensions (HxWxD): 18 7/8" x 45 1/4" x 19 1/4"
Net Weight:65.000 lbs
Gross Weight:70.000 lbs
Quantity per packing unit:
Standard number of units per pallet:
UPC code:825225956273



**Chimney extension
CHXTHMIB**



- * Recirculating installation
- ** Ducted installation

measurements in inches (mm)