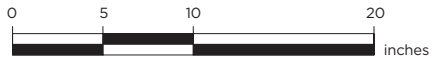
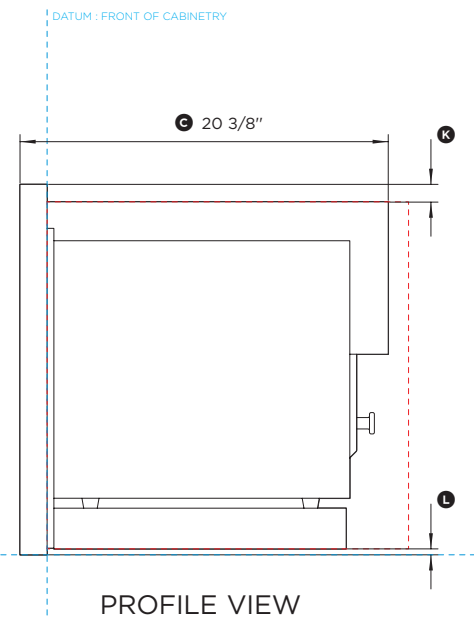
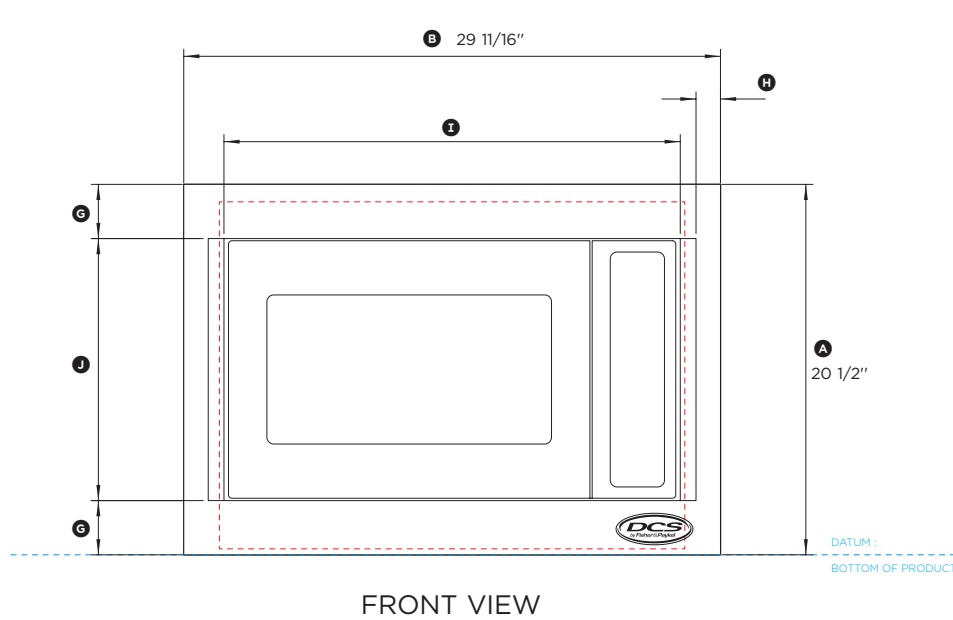
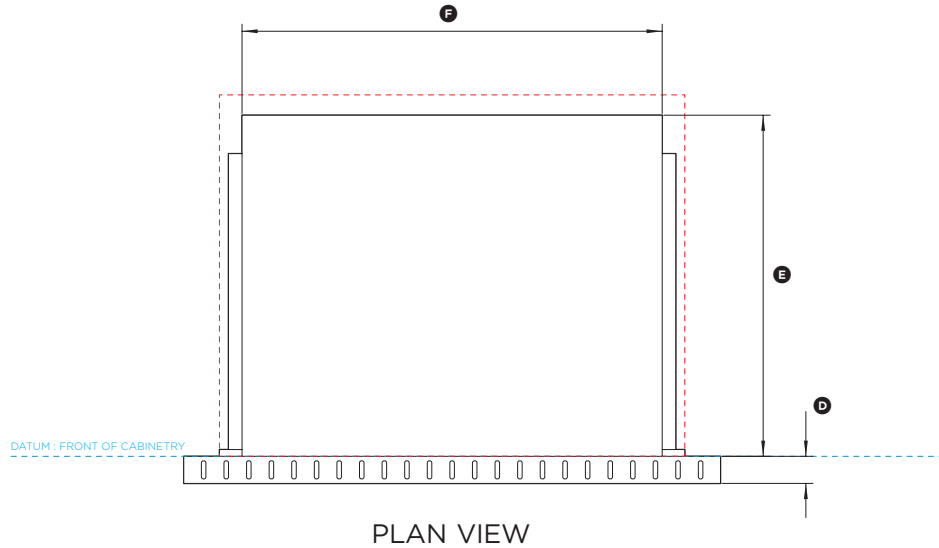


Data sheet



24" Microwave Oven with Trim Kit

Model no:
CMO24SS2 with CMOTTK30SS
 (refer page 2 for metric measurements)

Product Dimensions	in
Ⓐ Overall height of trim kit	20 1/2"
Ⓑ Overall width of trim kit	29 11/16"
Ⓒ Overall depth of trim kit	20 3/8"
Ⓓ Depth of surround	1 1/2"
Ⓔ Depth of trim kit venting inside cabinet	18 7/8"
Ⓕ Width of trim kit venting inside cabinet	23 1/4"
Ⓖ Height of surround horizontals	3"
Ⓗ Width of surround verticals - front faces	1 3/8"
Ⓘ Width of surround opening	25 1/4"
Ⓚ Height of surround opening	14 5/16"
Ⓛ Height from top of surround to top of trim kit venting inside cabinet	1"
Ⓜ Height from bottom of surround to bottom of cavity	5/16"

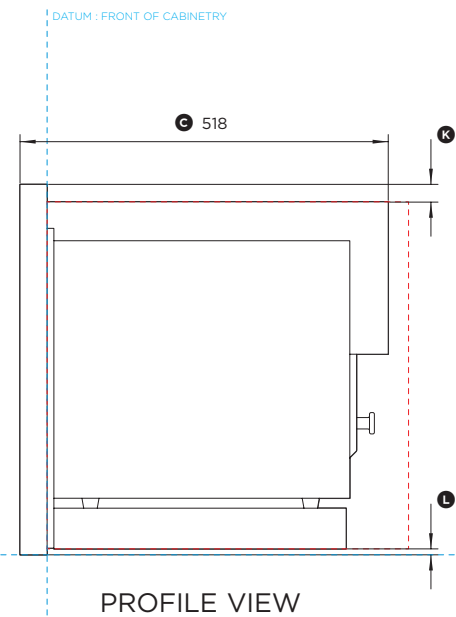
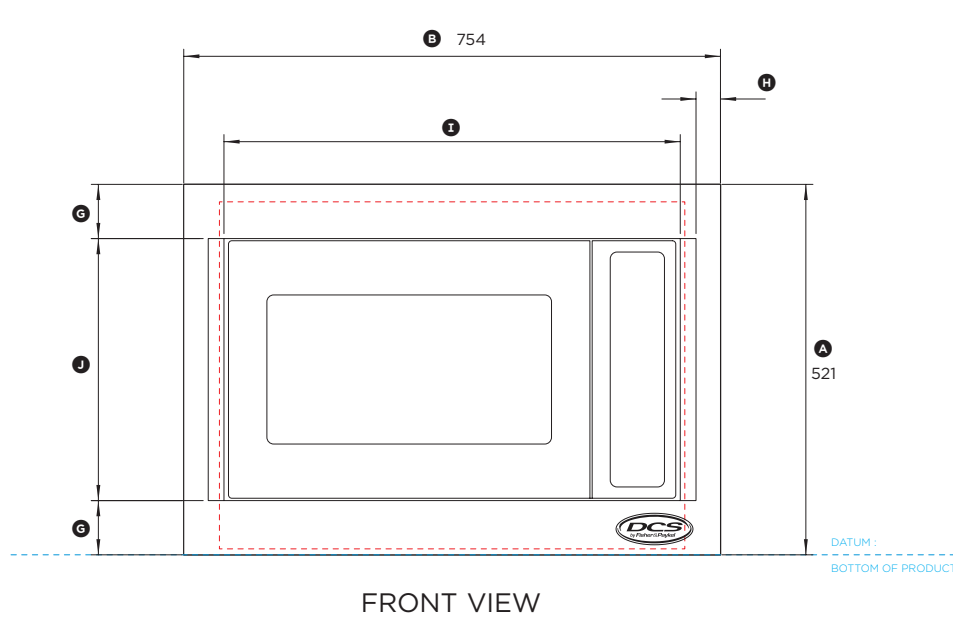
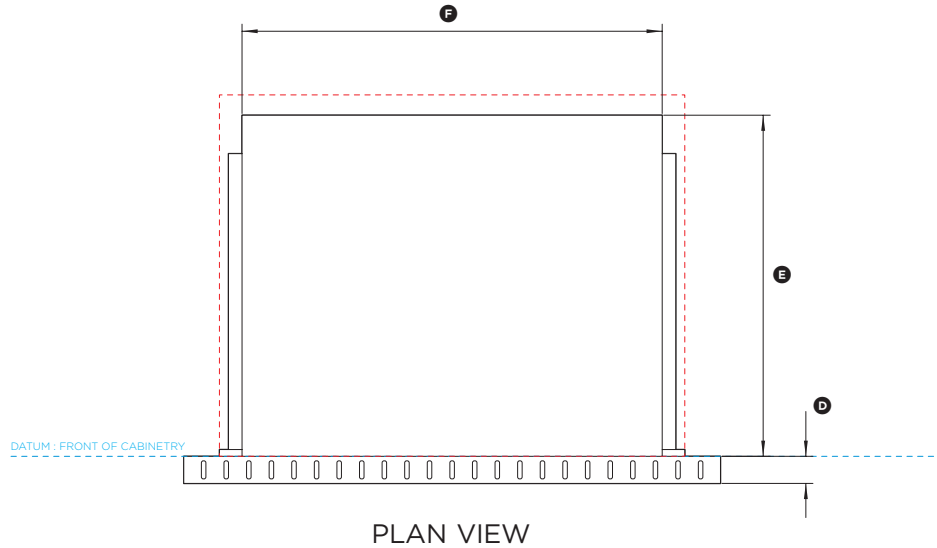
Minimum Clearances	in
Minimum inside height of cavity	19 3/16"
Minimum inside width of cavity	25 3/4"
Minimum inside depth of cavity from front datum	min 20"

INDICATES PRODUCT / CABINETRY DATUM -----
 INDICATES CLEARANCES -----

DATE: 20.08.2015

IMPORTANT NOTE: Throughout this guide, dimensions may vary by ±2mm (3/32"). Please read the installation manual for detailed information on installing the product. www.dcsappliances.com





Model no:

CMO24SS2 with CMOTTK30SS

(refer page 1 for imperial measurements)

Product Dimensions	mm
Ⓐ Overall height of trim kit	378
Ⓑ Overall width of trim kit	754
Ⓒ Overall depth of trim kit	518
Ⓓ Depth of surround	38
Ⓔ Depth of trim kit venting inside cabinet	480
Ⓕ Width of trim kit venting inside cabinet	591
Ⓖ Height of surround horizontals	76
Ⓗ Width of surround verticals - front faces	34
Ⓙ Width of surround opening	641
Ⓚ Height of surround opening	368
Ⓛ Height from top of surround to top of trim kit venting inside cabinet	25
Ⓜ Height from bottom of surround to bottom of cavity	8

Minimum Clearances	mm
Minimum inside height of cavity	487
Minimum inside width of cavity	654
Minimum inside depth of cavity from front datum	min 508

INDICATES PRODUCT / CABINETRY DATUM -----
 INDICATES CLEARANCES -----

DATE: 20.08.2015

IMPORTANT NOTE: Throughout this guide, dimensions may vary by ±2mm (3/32"). Please read the installation manual for detailed information on installing the product. www.dcsappliances.com

