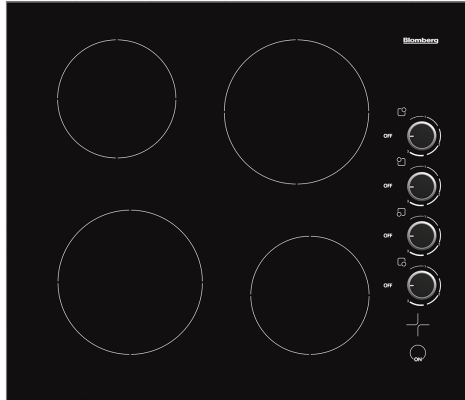


**24" 4 Burner Built-In Electric Cooktop, Side Controls, Black Glass w/ Stainless Steel Frame****CTE24402****GENERAL PROPERTIES**

Size	24"
Finish	Frameless Black Glass
Control Type	Knobs
Control Location	Side
Fuel Type	Electric

**FEATURES & PERFORMANCE**

# of Cooking Zones	4 Electric Elements
Power Levels	9
Front Left (Standard / Boost)	7" (1,800 W)
Front Right (Standard / Boost)	6" (1,200 W)
Center (Standard / Boost)	N/A
Back Left (Standard / Boost)	6" (1,200 W)
Back Right (Standard / Boost)	7" (1,800 W)
Expandable Elements	No
Bridge Element	No
Boost Function	Yes
Automatic Pan Detection	No
Residual Heat Indicators	Yes
On/Off Light	No
Digital Display for Power Level Indication	No
Display Lock	Yes

**DIMENSIONS**

Product Dimensions (H x W x D)	3 1/4" x 24 1/8" x 21"
Required Cutout Size (W x D)	22 5/8" - 22 3/4" x 19 1/2" - 19 5/8"
Product Weight	26 lbs.

**TECHNICAL DETAILS**

Total Power Consumption	6,000 W
Volts	120/240 V
Frequency	60Hz
Minimum Circuit Breaker / Rated Amps	25 A
Electrical Connection	Flexible Conduit, 3-Wire or 4 Wire

**Key Features & Benefits****Power Boost**

Power Boost your element to quickly bring water to a boil or heat a pan fast, perfect for searing or frying.

**Side Knob Controls**

With Side Knob Controls, you can effortlessly adjust settings while keeping your focus on cooking.

**Residual Heat Indicators**

This cooktop is equipped with a clearly visible Residual Heat Indicator, alerting you when a cooking zone remains too hot to touch safely.

**Precise Temperature Control**

With multiple power levels, this cooktop provides versatile cooking options, offering Precise Temperature Control to meet all your culinary needs.

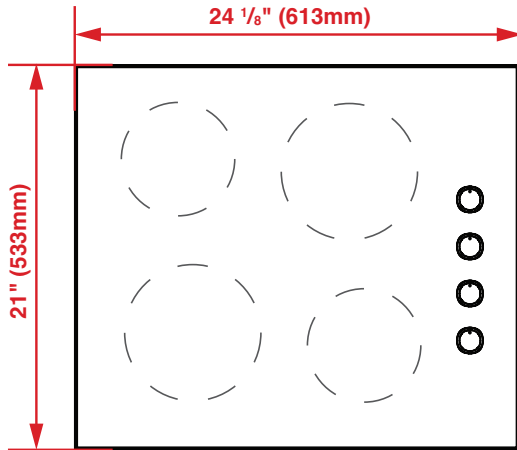


**24" 4 Burner Built-In Electric Cooktop, Side Controls, Black Glass w/ Stainless Steel Frame**

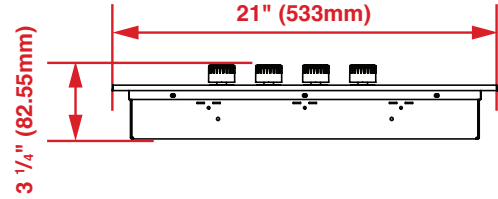
**CTE24402**

Dimensions and Installation

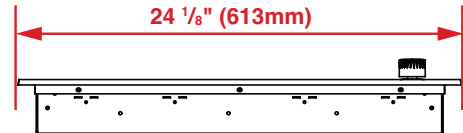
Top



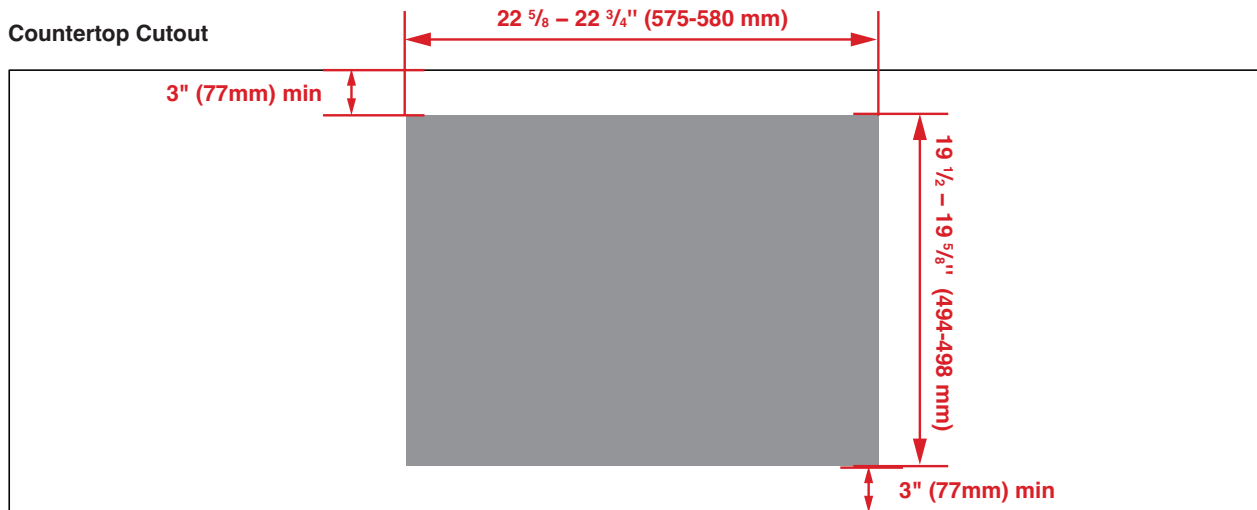
Side – Side View



Front – Side View



Countertop Cutout



1 YEAR FULL WARRANTY	2 YEARS PARTS WARRANTY
-------------------------	---------------------------

NOTE TO THE INSTALLER: All height, width and depth dimensions are shown in inches (as well as metric). Beko Canada Inc. and Beko US Inc., reserves the absolute and unrestricted right to change product materials and specifications, at any time, without notice. Please visit our website (Canada) [www.blombergappliances.ca](http://www.blombergappliances.ca) / (USA) [www.blombergappliances.com](http://www.blombergappliances.com) or call (Canada) 855-643-2356 / (USA) 888-352-2356 to verify the latest specifications with final dimensional data and other details prior to installation and making a cutout. Applicable product limited warranty information may be found in accompanying product materials or you may contact your account manager for further details. Proper installation is the responsibility of the installer. Product failure due to improper installation is not covered under the Limited Warranty.

Canada: 855-643-2356 | [www.blombergappliances.ca](http://www.blombergappliances.ca)  
USA: 888-352-2356 | [www.blombergappliances.com](http://www.blombergappliances.com)