

**24" 4 Burner Built-In Electric Cooktop, Front Touch Controls, Black Glass w/ Stainless Steel Frame****CTE24410****Key Features & Benefits****Expendable Element**

Lorem Ipsum

Power Boost

Power Boost your element to quickly bring water to a boil or heat a pan fast, perfect for searing or frying.

Residual Heat Indicators

This cooktop is equipped with a clearly visible Residual Heat Indicator, alerting you when a cooking zone remains too hot to touch safely.

Precise Temperature Control

With multiple power levels, this cooktop provides versatile cooking options, offering Precise Temperature Control to meet all your culinary needs.

GENERAL PROPERTIES

Size	24"
Finish	Frameless Black Glass
Control Type	Electronic Touch Controls
Control Location	Front
Fuel Type	Electric

FEATURES & PERFORMANCE

# of Cooking Zones	4 Electric Elements
Power Levels	9
Front Left (Standard / Boost)	4" (650 W)
Front Right (Standard / Boost)	4" (650 W)
Center (Standard / Boost)	N/A
Back Left (Standard / Boost)	5" (1,200 W)
Back Right (Standard / Boost)	5" - 8" (750 W / 2,200 W)
Expandable Elements	Yes - 1
Bridge Element	No
Boost Function	No
Automatic Pan Detection	No
Residual Heat Indicators	Yes
On/Off Light	No
Digital Display for Power Level Indication	Yes
Display Lock	Yes

DIMENSIONS

Product Dimensions (H x W x D)	2 5/8" x 24 3/16" x 20 15/16"
Required Cutout Size (W x D)	22 13/16" x 19 5/8"
Product Weight	25.8 lbs.

TECHNICAL DETAILS

Total Power Consumption	4,600 W
Volts	240/208 V
Frequency	60 Hz
Minimum Circuit Breaker / Rated Amps	40 A
Electrical Connection	Flexible Conduit, 3-Wire or 4 Wire

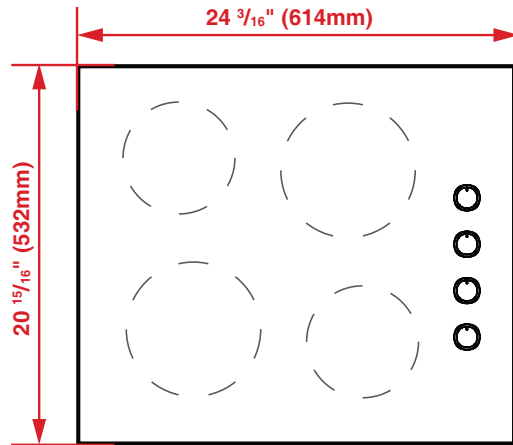


24" 4 Burner Built-In Electric Cooktop, Front Touch Controls, Black Glass w/ Stainless Steel Frame

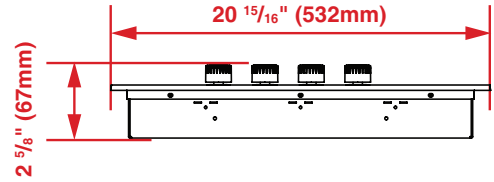
CTE24410

Dimensions and Installation

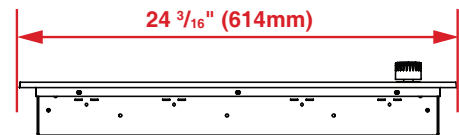
Top



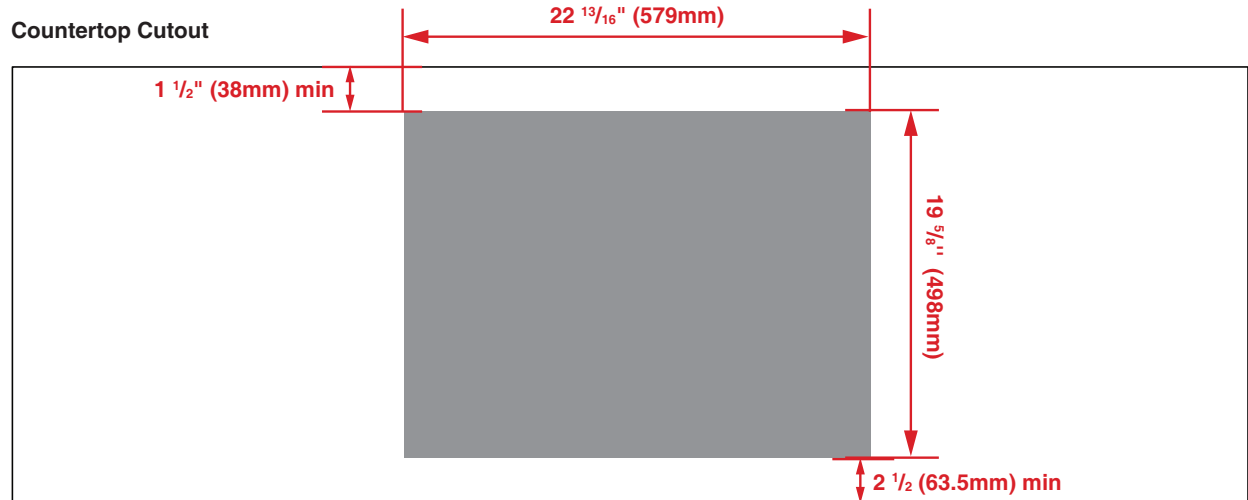
Side – Side View



Front – Side View



Countertop Cutout



1 YEAR FULL WARRANTY	2 YEARS PARTS WARRANTY
-------------------------	---------------------------

NOTE TO THE INSTALLER: All height, width and depth dimensions are shown in inches (as well as metric). Beko Canada Inc. and Beko US Inc., reserves the absolute and unrestricted right to change product materials and specifications, at any time, without notice. Please visit our website (Canada) www.blombergappliances.ca / (USA) www.blombergappliances.com or call (Canada) 855-643-2356 / (USA) 888-352-2356 to verify the latest specifications with final dimensional data and other details prior to installation and making a cutout. Applicable product limited warranty information may be found in accompanying product materials or you may contact your account manager for further details. Proper installation is the responsibility of the installer. Product failure due to improper installation is not covered under the Limited Warranty.

Canada: 855-643-2356 | www.blombergappliances.ca
USA: 888-352-2356 | www.blombergappliances.com