

36-Inch Induction Cooktop with LCD Touchscreen



DTI36M977BB/DA - Black Glass

Features & Benefits

- VirtualFlame™
- FlexZone®
- 7-inch LCD control panel with SmartThings Wi-Fi connectivity
- Chef Mode guided cooking
- Auto Connect to compatible ventilation through Bluetooth
- Residual heat indicator
- Ceramic glass

Controls

CONTROL TYPE	7" LCD Touchscreen
CHEF MODE GUIDED COOKING	Yes
WI-FI + SMARTTHINGS	Yes
BLUETOOTH AUTO CONNECT VENTILATION	Yes
RESIDUAL HEAT INDICATOR	Yes, 2 Stages
POWER ON/OFF	Yes
PAUSE	Yes
KITCHEN TIMER	Yes
CHILD LOCK	Yes

Cooktop

COOKING ZONES	5
LEFT FRONT (W)	1,800 (2,600 Boost)
LEFT REAR (W)	1,800 (2,600 Boost)
CENTER (W)	3,600 (4,800 Boost)
RIGHT FRONT (W)	1,800 (2,600 Boost)
RIGHT REAR (W)	1,800 (2,600 Boost)
POWER LEVELS	9 + Boost (0.1 Increments)
FLEXZONE®	Yes (2)
MELT & SIMMER	Yes
VIRTUAL FLAME™	Yes
AUTO PAN DETECTION	Yes

Weights & Dimensions

NET WEIGHT (LBS.)	63
SHIPPING WEIGHT (LBS.)	70.8
PRODUCT DIMENSIONS (W x H x D IN INCHES)	36 x 3 1/8 x 21 1/4
CUTOUT REQUIRED (W x D IN INCHES)	33 7/8 to 34 x 19 1/8 to 19 3/8

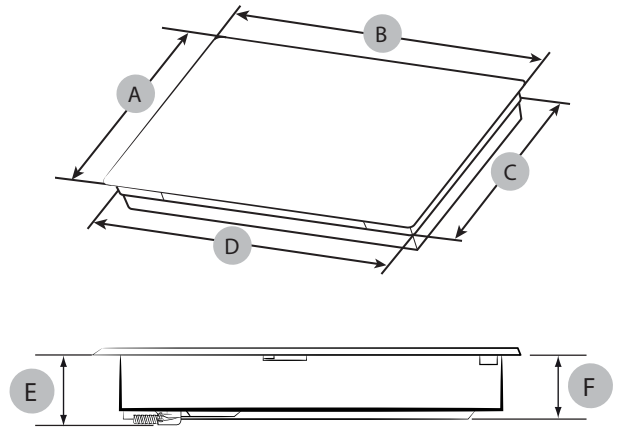
Technical Details

ELECTRICAL REQUIREMENTS	208/240V, 60 Hz, 45A
Warranty	
FULL COVERAGE	2 Years

36-Inch Induction Cooktop with LCD Touchscreen



Product Dimensions	
A - FRAME DEPTH (IN/MM)	2 1/4 / 540
B - FRAME WIDTH (IN/MM)	36 / 914
C - CASE DEPTH (IN/MM)	19 / 481.6
D - CASE WIDTH (IN/MM)	33 3/4 / 856.6
E - CONDUIT CASE HEIGHT (IN/MM)	4 / 101
F - CASE HEIGHT (IN/MM)	3 1/8 / 80.5



Installation Cutout Dimensions	
A - (IN/MM)	33 7/8 - 34 / 860 - 864
B - (IN/MM)	19 1/8 - 19 3/16 / 485.6 - 487.6
C - MIN (IN/MM)	1 1/8 / 28
D - MIN (IN/MM)	1 1/2 / 38
E - MIN (IN/MM)	1 / 26
F - MIN (IN/MM)	10 / 254
G - (IN/MM)	15 / 381

