

**24" Front Controls, Built-In Dishwasher, Stainless Tub, 48 dBA, Integrated Handle, ENERGY STAR®****DWT52600BIH****GENERAL PROPERTIES**

Control Type	Electronic Touch Controls
Control Location	Front Controls
Handle Type	Pocket Handle
Finish	Black
Tub Material	Stainless Steel
Interior Light	No
dBA	48 dBA
Loading Capacity	14 Place Settings
Third Rack	No

MAIN FEATURES

Wash System	5 Level Wash System
Drying System	Condensation Drying
Turbidity Sensor	Yes
Overflow Leak Protection	Yes
Adjustable Upper Rack	Fixed
Cutlery Basket	Yes - Sliding
Folding Tines Upper Rack	No
Folding Tines Lower Rack	No
Rinse Aid Indicator	Yes

PROGRAMS

# of Wash Programs	6
Auto	No
Express Dry	Yes
Glass Care	No
China/Crystal	Yes
MixWash+	No
Pots & Pans	Yes
Quick Wash	Yes
Regular	Yes
Clean & Dry	No
Rinse & Hold	Yes

FUNCTIONS

PowerWash with Extra Spray Arm	No
Half Load	Yes
Sanitize	Yes
SuperGloss	No
RapidClean	Yes
Extra Rinse	Yes
Extra Dry	No

DIMENSIONS

Product Dimensions (H x W x D)	32 3/16" x 23 9/16" x 21 5/8"
Required Cut Out Dimensions (H x W x D)	34" x 24" x 24"
Product Weight	82.6 lbs.
Leveling System	4 Leveling Legs

TECHNICAL DETAILS

Watts	1,200 W
Current	12 Amps
Volts	120 V
Frequency	60 Hz
Power Cord Length	4 ft.
Outlet Hose Length	6 ft.

EFFICIENCY

ENERGY STAR® Certified	Yes - Most Efficient
Energy Consumption	234 kWh
Water Consumption	5.86 Gal.

Key Features & Benefits**Condensation Drying System**

Our Condensation Drying System has an innovative process that delivers spotless, energy-efficient drying without relying on high temperatures or excessive energy use—ensuring perfectly dry dishes every time.

5-Level Wash System

The 5-Level Wash System guarantees spotless dishes by spraying water from every angle, ensuring a perfect clean on the first wash.

Sanitize Function

The Sanitize Function delivers higher temperatures for a thorough clean, giving you complete peace of mind—perfect for baby bottles, feeding accessories, and more.

Full Stainless Steel Tub

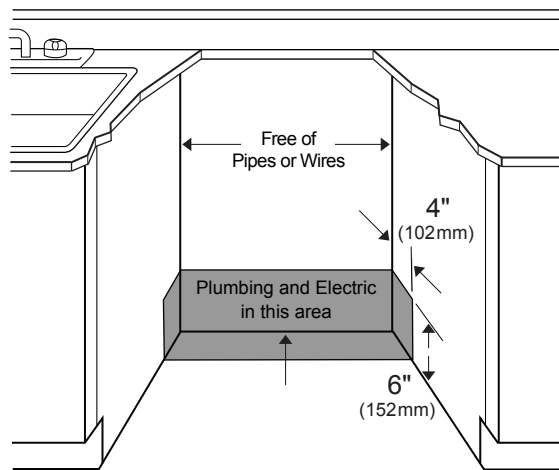
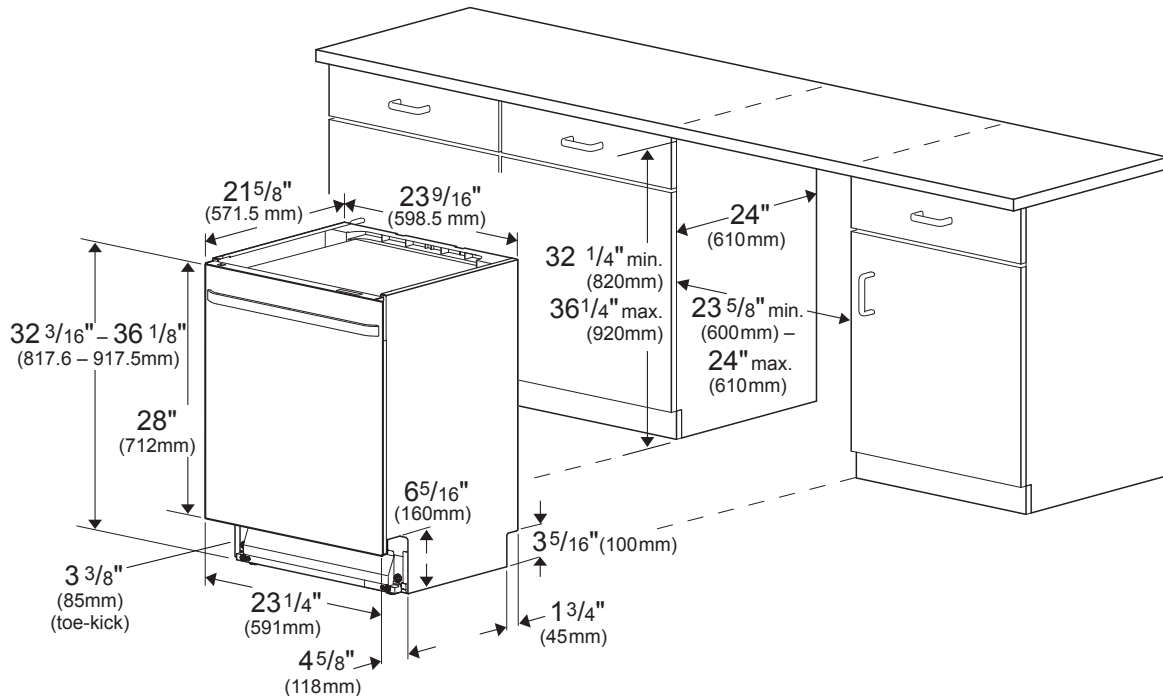
The Full Stainless Steel Tub is designed for superior durability, resisting hard-water stains, spots, and corrosion while absorbing noise more effectively than plastic tubs. It can withstand the highest washing temperature on the market—75°C—ensuring your dishes are thoroughly sanitized.



24" Front Controls, Built-In Dishwasher, Stainless Tub, 48 dBA, Integrated Handle, ENERGY STAR[®]

DWT52600BIH

Dimensions and Installation



1 YEAR FULL WARRANTY	2 YEARS PARTS WARRANTY
-------------------------	---------------------------

NOTE TO THE INSTALLER: All height, width and depth dimensions are shown in inches (as well as metric). Beko Canada Inc. and Beko US Inc., reserves the absolute and unrestricted right to change product materials and specifications, at any time, without notice. Please visit our website (Canada) www.blombergappliances.ca / (USA) www.blombergappliances.com or call (Canada) 855-643-2356 / (USA) 888-352-2356 to verify the latest specifications with final dimensional data and other details prior to installation and making a cutout. Applicable product limited warranty information may be found in accompanying product materials or you may contact your account manager for further details. Proper installation is the responsibility of the installer. Product failure due to improper installation is not covered under the Limited Warranty.

Canada: 855-643-2356 | www.blombergappliances.ca
 USA: 888-352-2356 | www.blombergappliances.com