

**24" Top Controls, Built-In Dishwashers, Stainless Tub, 45 dBA, 3rd Rack, ENERGY STAR®****DWT81800SS****Key Features & Benefits****Fingerprint Free Stainless Steel**

Keep your kitchen looking beautiful with easy-to-clean Fingerprint-Free Stainless Steel—say goodbye to fingerprints and smudges!

PowerWash Function

The PowerWash Function features a specially engineered 180-degree rotating arm with a 360-degree spinning head, delivering powerful sprays that reach every angle—ideal for tackling heavily soiled pots and pans with ease.

Full Size Third Rack

This versatile Full Size Third Rack is tailor-made for those occasions when you need extra space for cutlery, large utensils and small items.

Interior Illumination

A brilliant Interior Illumination ensures you can easily see every item, even in the farthest corners. This premium feature is one you didn't realize you needed—until now.

GENERAL PROPERTIES

| | |
|------------------|----------------------------------|
| Control Type | Electronic Touch Controls |
| Control Location | Top Controls |
| Handle Type | Bar Handle |
| Finish | Fingerprint Free Stainless Steel |
| Tub Material | Stainless Steel |
| Interior Light | Yes |
| dBA | 45 dBA |
| Loading Capacity | 16 Place Settings |
| Third Rack | Yes |

MAIN FEATURES

| | |
|--------------------------|---------------------|
| Wash System | 5 Level Wash System |
| Drying System | Active Ventilation |
| Turbidity Sensor | Yes |
| Overflow Leak Protection | Yes |
| Adjustable Upper Rack | Yes (3 Positions) |
| Cutlery Basket | Yes - Sliding |
| Folding Tines Upper Rack | Yes |
| Folding Tines Lower Rack | Yes |
| Rinse Aid Indicator | Yes |

PROGRAMS

| | |
|--------------------|-----|
| # of Wash Programs | 8 |
| Auto | Yes |
| Express Dry | Yes |
| Glass Care | Yes |
| China/Crystal | No |
| MixWash+ | Yes |
| Pots & Pans | Yes |
| Quick Wash | Yes |
| Regular | Yes |
| Clean & Dry | No |
| Rinse & Hold | Yes |

FUNCTIONS

| | |
|--------------------------------|-----|
| PowerWash with Extra Spray Arm | Yes |
| Half Load | Yes |
| Sanitize | Yes |
| SuperGloss | Yes |
| RapidClean | Yes |
| Extra Rinse | No |
| Extra Dry | No |

DIMENSIONS

| | |
|---|-------------------------------|
| Product Dimensions (H x W x D) | 32 3/16" x 23 9/16" x 21 5/8" |
| Required Cut Out Dimensions (H x W x D) | 34" x 24" x 24" |
| Product Weight | 93.9 lbs. |
| Leveling System | 4 Leveling Legs |

TECHNICAL DETAILS

| | |
|--------------------|---------|
| Watts | 1,200 W |
| Current | 12 Amps |
| Volts | 120 V |
| Frequency | 60 Hz |
| Power Cord Length | 4 ft. |
| Outlet Hose Length | 6 ft. |

EFFICIENCY

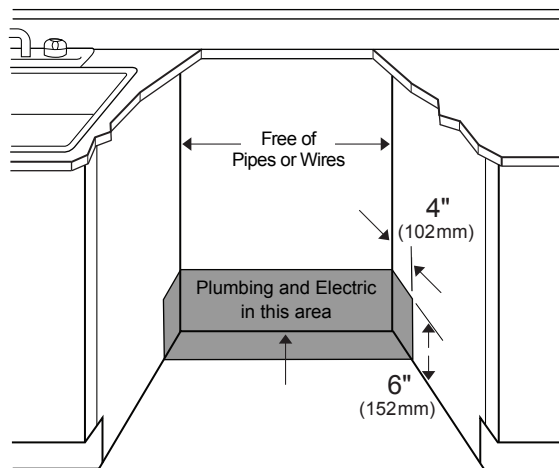
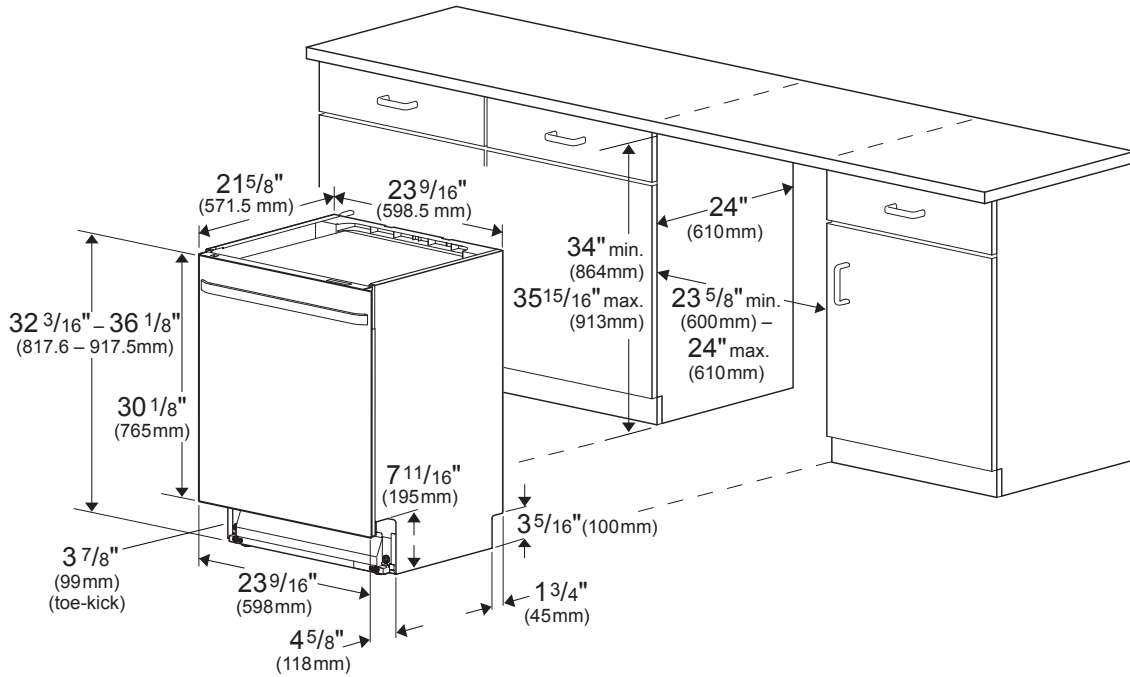
| | |
|------------------------|----------------------|
| ENERGY STAR® Certified | Yes - Most Efficient |
| Energy Consumption | 225 kWh |
| Water Consumption | 5.60 Gal. |



24" Top Controls, Built-In Dishwashers, Stainless Tub, 45 dBA, 3rd Rack, ENERGY STAR[®]

DWT81800SS

Dimensions and Installation



| | |
|-------------------------|---------------------------|
| 1 YEAR FULL WARRANTY | 2 YEARS PARTS WARRANTY |
|-------------------------|---------------------------|

NOTE TO THE INSTALLER: All height, width and depth dimensions are shown in inches (as well as metric). Beko Canada Inc. and Beko US Inc., reserves the absolute and unrestricted right to change product materials and specifications, at any time, without notice. Please visit our website (Canada) www.blombergappliances.ca / (USA) www.blombergappliances.com or call (Canada) 855-643-2356 / (USA) 888-352-2356 to verify the latest specifications with final dimensional data and other details prior to installation and making a cutout. Applicable product limited warranty information may be found in accompanying product materials or you may contact your account manager for further details. Proper installation is the responsibility of the installer. Product failure due to improper installation is not covered under the Limited Warranty.

Canada: 855-643-2356 | www.blombergappliances.ca
 USA: 888-352-2356 | www.blombergappliances.com