



Laundry Tower Single Unit Front Load 5.1 Cu. Ft. I.E.C Washer and 8 Cu. Ft. Electric Dryer

Laundry Tower

Available Products: ELTE730CAW, ELTE730CAD

Available Colors: White, Denim Blue

Version: 08/25

Product Specifications

| | | | |
|-----------------------------|-----------------|--------------------------|---------------|
| Washer | | Washer Cycles | |
| Drum Material | Stainless Steel | Cycle Count | 7 |
| Maximum Spin Speed | 1100 RPM | Clean Washer | Yes |
| Water Level Adjustment | Yes | Delicates | Yes |
| Washer Options | | Fast Wash | Yes |
| Delay Start Time | 1-12 Hours | Heavy Duty | Yes |
| Extended Refresh | Yes | Normal | Yes |
| Extra Rinse | Yes | Rinse and Spin | Yes |
| Stain Treat | Yes | Towels | Yes |
| Washer Spin Speeds | | Soil Levels | |
| Spin Speed Selections | 4 | Extra Light | Yes |
| Max | Yes | Light | Yes |
| Medium | Yes | Normal | Yes |
| Low | Yes | Heavy | Yes |
| No Spin | Yes | Dryer | |
| Temperature Settings | | Balanced Dry | Yes |
| Eco Cold | Yes | Drum Back Type | Painted Steel |
| Cool | Yes | Drum Material | Painted Steel |
| Warm | Yes | Dryness Level Selections | Yes |
| Hot | Yes | Lint Filter | Yes |
| Dispenser | | Moisture Sensor | Yes |
| Bleach Dispenser | Yes | Dryer Options | |
| Detergent Dispenser | Yes | Delay Start Time | 1-12 Hours |
| Fabric Softener Dispenser | Yes | Dry Boost | Yes |
| Prewash Detergent Dispenser | Yes | Extended Tumble | Yes |
| Dryer Cycles | | Wrinkle Release | Yes |
| Cycle Count | 7 | Dryness Level | |
| Allergen | Yes | High | Yes |
| Delicates | Yes | Normal | Yes |
| Fast Dry | Yes | Low | Yes |
| Heavy Duty | Yes | Damp | Yes |
| Normal | Yes | Exterior | |
| Timed Dry Time | Yes | Door Latch | Yes |
| Towels | Yes | Reversible Door | Yes |

Washer and 8 Cu. Ft. Electric Dryer

Available Products: ELTE730CAW, ELTE730CAD

Available Colors: White, Denim Blue

Version: 08/25

Drying Temperatures

| | |
|---------|-----|
| Low | Yes |
| Normal | Yes |
| High | Yes |
| Eco Dry | Yes |

Controls

| | |
|--------------------------|-----------------|
| Cancel | Yes |
| Child Lock | Yes |
| Control Lock | Yes |
| Cycle Status Lights | Yes |
| Delay Start | Yes |
| Estimated Time Remaining | Yes |
| How to Cancel | Key Combination |
| Pause Function | Yes |
| Power On/Off | Yes |
| Start | Yes |

Dimensions and Volume

| | |
|--------------------------------|-------------|
| Height | 76 1/4" |
| Width | 27" |
| Depth | 32" |
| Minimum Depth for Installation | 36" |
| Washer Drum Capacity I.E.C. | 5.1 Cu. Ft. |
| Dryer Drum Capacity | 8 Cu. Ft. |

Energy Data

| | |
|-----------------------------------|--------------|
| Combined Energy Factor (CEF) | 3.93 |
| Energy Efficiency | Tier 1 |
| Integrated Modified Energy Factor | 2.76 |
| Integrated Water Factor | 3.2 |
| kWh/year | 670 kWh |
| Water Usage/Year | 4154 Gallons |

General Specifications

| | |
|----------------------|----------|
| Chime On / Chime Off | Yes |
| Leveling Legs | Yes |
| Prop 65 Label | Yes |
| Warranty - Labor | 1 Year |
| Warranty - Motor | 10 Years |
| Warranty - Parts | 1 Year |
| Warranty - Tub | Lifetime |

Performance Certifications and Approvals

| | |
|-----------------------|-----|
| ENERGY STAR Certified | Yes |
|-----------------------|-----|

Electrical Specifications

| | |
|--|----------|
| Minimum Circuit Required (Dryer) | 30 Amps |
| Minimum Circuit Required (Washing Machine) | 15 Amps |
| Voltage Rating (Dryer) | 208/240v |
| Voltage Rating (Washing Machine) | 120v |

Installation

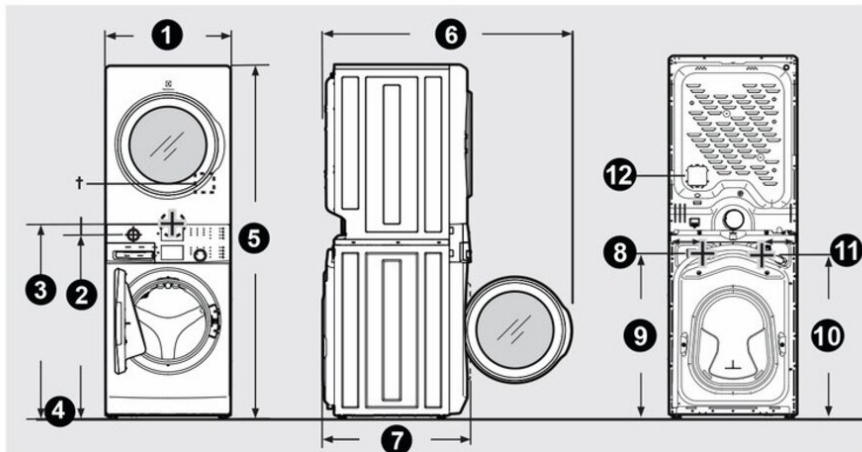
| | |
|----------------------------|--------|
| Dryer Power Cord Included | Yes |
| Washer Power Cord Included | Yes |
| Ventilation Type | Vented |

Certifications and Approvals

| | |
|---------------|----|
| ADA Compliant | No |
|---------------|----|

Installation Diagram

Laundry Center Dimensions



¹ Dryer electrical supply on rear of unit.

NOTE

- Allow minimum 36" of depth space for proper installation with 90° quick turn elbow for venting.
- Connection of water inlet hose on steam laundry center adds 3/4 in. (2 cm) to installation depth.
- Power supply cord length on washer approximately 60 inches (152.5 cm).
- Drain hose length on washer approximately 59 inches (150 cm).
- Power supply cord length on gas laundry center or electric Canadian laundry center approximately 60 inches (152.5 cm).

| Laundry Center Dimensions | |
|--|----------------|
| 1. Unit width | 27" (69 cm) |
| 2. Height to gas supply pipe on rear of gas unit | 39.7" (101 cm) |
| 3. Centerline height for rear vent | 41.8" (106 cm) |
| 4. Floor line | -- |
| 5. Unit height | 76.3" (194 cm) |
| 6. Door clearance | 53.9" (137 cm) |
| 7. Unit depth | 31.9" (81 cm) |
| 8. Width distance to water connections | 7.8" (20 cm) |
| 9. Height to water connections | 35.7" (91 cm) |
| 10. Height to washer power connections | 35.5" (91 cm) |
| 11. Width distance to washer power connections | 7.1" (18 cm) |
| 12. Height to dryer electrical supply | 48" (122 cm) |