

<b>Version</b>	FCDAM24I4RC Island 24" (60 cm) - Copper - 360 CFM
<b>Design</b>	Emo Design
<b>Collection</b>	Circle.Tech

**FEATURES AND PROPERTIES**

<b>Materials/Finishes</b>	Copper
<b>Technology</b>	Circle.Tech technology
<b>Features</b>	Perimeter suction with tempered glass panel LED ambient light
<b>Control</b>	Knob control Remote control (optional)
<b>Ducting type</b>	Recirculating
<b>Installation type</b>	Island
<b>Lighting</b>	LED 4x1,2 W - 4200 K
<b>Filters</b>	Metallic grease filter, removable and washable Carbon.Zeo Microtech renewable filter
<b>Dimensions</b>	24 in
<b>Notes</b>	Recommended mounting height from cooking surface to hood bottom: 24" - 35"



Photograph is for information purposes only. May not correspond to the selected version

**ELECTRICAL CONNECTION AND CONSUMPTION**

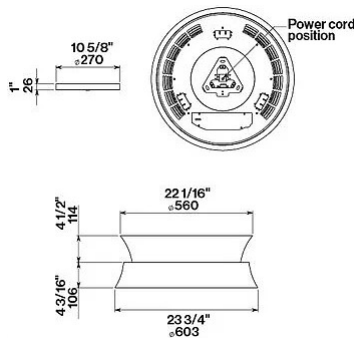
<b>Maximum consumption</b>	150 W
<b>Voltage/Frequency</b>	110-120V 60Hz
<b>Connection type</b>	Hood comes standard with Nema 5-15P power cord

**BLOWER PERFORMANCE**

<b>Motor</b>	360 CFM
<b>Minimum sound level</b>	0 dB (A)re1pW I.E.C. 60704-2-13
<b>Maximum sound level</b>	0 dB (A)re1pW I.E.C. 60704-2-13

**WEIGHTS AND DIMENSIONS**

<b>Gross weight</b>	58 lbs
<b>Net weight</b>	46 lbs
<b>Volume</b>	8 ft
<b>Packaging dimensions</b>	L 31 x H 17 x D28 in



## **OPTIONAL ACCESSORIES**

<i>Code</i>	<i>Description</i>
KACL.1048	Carbon.Zeo Microtech regenerable replacement filters for Circle.Tech hoods
KACL.143	Kit cables: adjustable up to 340 cm
105080053	Remote control