



<i>EAN code</i>	<b>8034122358796</b>
<i>Model Code</i>	<b>FNMAS28W6SS-1 Built-in 28" (72 cm) - Steel - 600 CFM</b>
<i>Collection</i>	<b>Silence - NRS</b>

## FEATURES AND PROPERTIES

<i>Materials/Finishes</i>	<b>Scotch brite stainless steel (AISI 304)</b>
<i>Lighting</i>	<b>Strip LED Dynamic Light (2700K - 5600K)</b>
<i>Control</i>	<b>Touch control</b>
<i>Installation type</i>	<b>Insert</b>
<i>Ducting type</i>	<b>External ducting/Recirculating</b>
<i>Filters</i>	<b>Professional baffle filters, removable and dishwasher safe Charcoal filter (optional)</b>
<i>Dimensions</i>	<b>28 in</b>
<i>Features</i>	<b>NRS technology for a quieter kitchen</b>

## OPTIONAL ACCESSORIES

<b>Code</b>	<b>Description</b>
105080053	Remote control
KACL.1039	Carbon.Zeo Microtech renewable filter

## ELECTRICAL CONNECTION AND CONSUMPTION

<i>Maximum consumption</i>	<b>340W</b>
----------------------------	-------------

**ELECTRICAL CONNECTION AND CONSUMPTION**

Voltage/Frequency 110-120V 60Hz  
 Connection type Hood comes standard with Nema 5-15P power cord

**BLOWER PERFORMANCE**

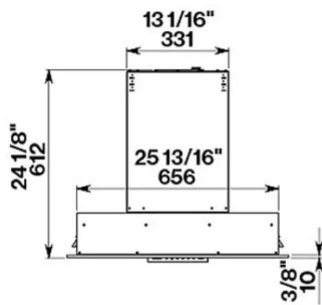
Motor 600 CFM

**TECNICAL SPECS OF COOKERHOOD WITH 600 CFM NRS MOTOR**

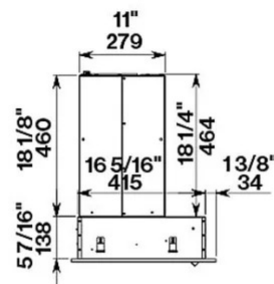
Motor Speed	1	2	3	4
CFM (rated at the motor)	210	295	395	600
Sones (estimated value)	1	2	3	4.25
Duct Size	6"	6"	6"	6"

**WEIGHTS AND DIMENSIONS**

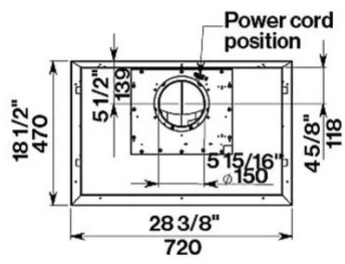
Gross weight 73 lbs  
 Net weight 56 lbs  
 Packaging dimensions L 41 in H 25 in D 30 in  
 Notes Recommended mounting height from cooking surface to hood bottom: 24" - 35"  
 Availability Carbon.Zeo filter KACL.1039 for hoods produced from Sept. 2024  
 Led 2x1,2 W - 3200K until Oct.2024



Frontal view



Side view



Top view