



<i>EAN code</i>	<i>8034122358802</i>
<i>Model Code</i>	<i>FNMAS34W6SS-1 Built-in 34" (87 cm) - Steel - 600 CFM</i>
<i>Collection</i>	<i>Silence - NRS</i>

FEATURES AND PROPERTIES

<i>Materials/Finishes</i>	<i>Scotch brite stainless steel (AISI 304)</i>
<i>Lighting</i>	<i>Strip LED Dynamic Light (2700K - 5600K)</i>
<i>Control</i>	<i>Touch control</i>
<i>Installation type</i>	<i>Insert</i>
<i>Ducting type</i>	<i>External ducting/Recirculating</i>
<i>Filters</i>	<i>Professional baffle filters, removable and dishwasher safe Charcoal filter (optional)</i>
<i>Dimensions</i>	<i>34 in</i>
<i>Features</i>	<i>NRS technology for a quieter kitchen</i>

OPTIONAL ACCESSORIES

<i>Code</i>	<i>Description</i>
105080053	Remote control
KACL.1039	Carbon.Zeo Microtech renewable filter

ELECTRICAL CONNECTION AND CONSUMPTION

<i>Maximum consumption</i>	<i>340W</i>
----------------------------	-------------

ELECTRICAL CONNECTION AND CONSUMPTION

Voltage/Frequency 110-120V 60Hz
 Connection type Hood comes standard with Nema 5-15P power cord

BLOWER PERFORMANCE

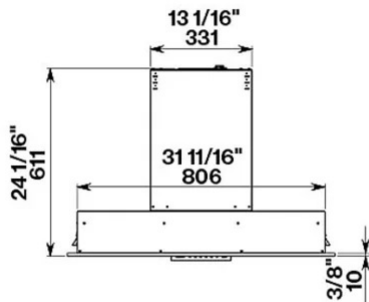
Motor 600 CFM

TECNICAL SPECS OF COOKERHOOD WITH 600 CFM NRS MOTOR

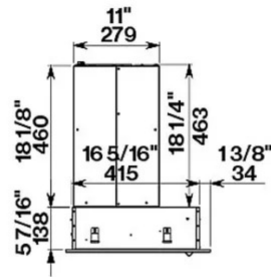
Motor Speed	1	2	3	4
CFM (rated at the motor)	210	295	395	600
Sones (estimated value)	1	2	3	4.25
Duct Size	6"	6"	6"	6"

WEIGHTS AND DIMENSIONS

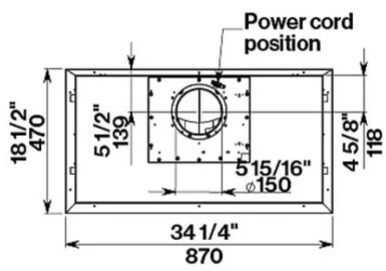
Gross weight 76 lbs
 Net weight 60 lbs
 Packaging dimensions L 41 in H 25 in D 30 in
 Notes Availability Carbon.Zeo filter KACL.1039 for hoods produced from Sept. 2024
 Led 4x1,2 W - 3200K until Oct.2024



Frontal view



Side view



Top view