



<i>EAN code</i>	<b>8034122370521</b>
<i>Model Code</i>	<b>FNPLS48W6SS-R Plus - wall - 48" (120 cm) - inox - 600 CFM</b>
<i>Collection</i>	<b>Silence - NRS</b>

**FEATURES AND PROPERTIES**

<i>Materials/Finishes</i>	<b>Scotch brite stainless steel (AISI 304)</b>
<i>Lighting</i>	<b>Strip LED Dynamic Light (2700K - 5600K) Dimmable lighting</b>
<i>Control</i>	<b>Electronic control</b>
<i>Installation type</i>	<b>Wall</b>
<i>Ducting type</i>	<b>External ducting/Recirculating</b>
<i>Filters</i>	<b>Metallic grease filter, removable and washable Carbon.Zeo Microtech renewable filter (optional)</b>
<i>Dimensions</i>	<b>48 in</b>
<i>Features</i>	<b>NRS technology for a quieter kitchen Perimeter suction SRS Speed reduction system</b>

**OPTIONAL ACCESSORIES**

<b>Code</b>	<b>Description</b>
KACL.1039	Carbon.Zeo Microtech renewable filter
KACL.400	Silent / Conveyor NRS
105080053	Remote control
KACL.571#I	Extension H960 Wall - Inox

**ELECTRICAL CONNECTION AND CONSUMPTION**

Maximum consumption 340W  
 Voltage/Frequency 110-120V 60Hz  
 Connection type Hood comes standard with Nema 5-15P power cord

**BLOWER PERFORMANCE**

Motor 600 CFM

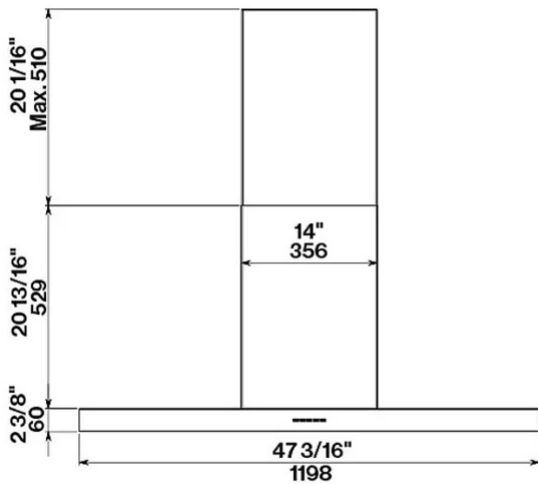
**TECNICAL SPECS OF COOKERHOOD WITH 600 CFM NRS MOTOR**

Motor Speed	SRS 2*		SRS 3*	
	1	2	3	4
CFM (rated at the motor)	210	295	395	600
Sones (estimated value)	1	2	3	4.25
Duct Size	6"	6"	6"	6"

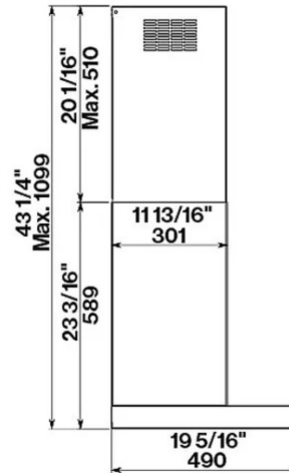
\*If activated SRS has 2 settings; 3 speed max & 2 speed max

**WEIGHTS AND DIMENSIONS**

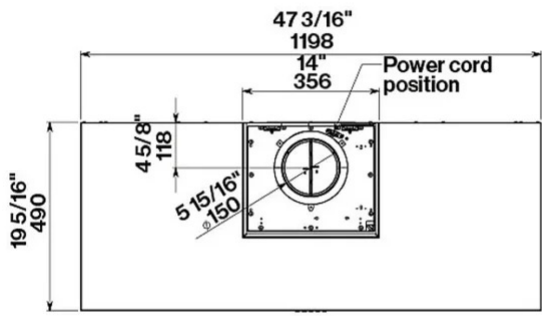
Gross weight 95 lbs  
 Net weight 80 lbs  
 Packaging dimensions L 53 in H 27 in D 29 in  
 Notes Recommended mounting height from cooking surface to hood bottom: 24" - 35"



Frontal view



Side view



Top view