

# Installation Instructions

## Microwave Oven Built-In Trim Kits

Series JEB2167



Questions? Call 1.800.561.3344 or visit our Website at: [GE Appliances.ca](http://GEAppliances.ca)

### BEFORE YOU BEGIN

Read these instructions completely and carefully.

**.IMPORTANT** - Save these instructions for local Inspector's use.

**.IMPORTANT** - Observe all governing codes and ordinances



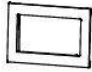


**.Note to Installer** – Be sure to leave these instructions with the Consumer.

**.Note to Consumer** - Keep the instructions for future reference.

- For easier installations and personal safety, we recommend that two people install this microwave
- Do not alter or modify any part of this kit or the oven.
- Unplug the microwave oven before attempting installation of this Kit.
- **Skill level** – Installation of this appliance requires basic mechanical and electrical skills.
- **Completion time** – Less than 1 hour.
- Proper installation is the responsibility of the installer.
- Product failure due to improper installation is covered under the Warranty.
- This kit is for CUL listed for installation alone. Not for use adjacent to (within 2 feet of) any gas and electric range, cook top or oven.
- This kit is for use on the model: JEB2167RMSS.
- Installation height no less than 36in above the floor level.

**▲ WARNING** - This oven must be plugged into a properly grounded 3-hole, 120V receptacle as required by National Electrical Code.

### PARTS INCLUDED

| PART  |                  | QUANTITY    |
|---|------------------|-------------|
|    | Bottom duct      | 1           |
|    | Rails            | 2           |
|   | Trim kit frame   | 1           |
|  | Short screws     | 17          |
|  | Long wood screws | 4 – painted |

**NOTE:** This kit has extra screws to prevent Technician from spending extra time locating a Replacement in case they lost one during installation.

### FOR YOU SAFETY:

**▲ WARNING** - Before beginning the installation, switch power off at service panel and lock the service disconnecting means to prevent power from being switched on accidentally. When the service disconnecting means cannot be locked, securely fasten a prominent warning device, such as a tag, to the service panel.

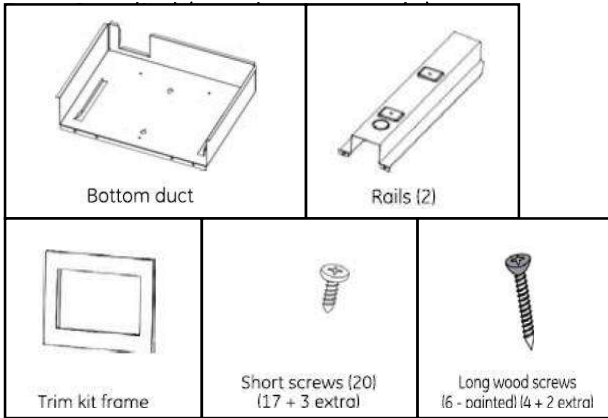
# Installation Instructions

## Tools and Parts

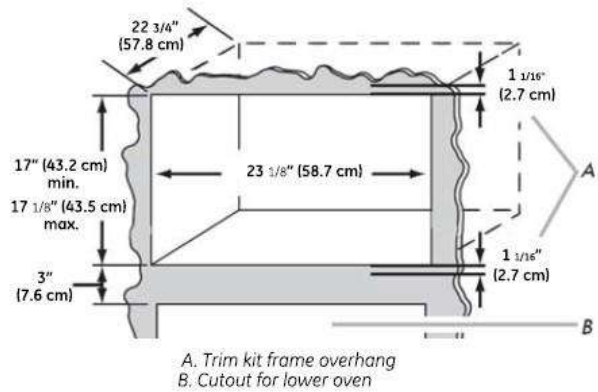
### Tools Needed

Gather the required tools and parts before starting installation read follow the instructions provided with any tools listed here.

- Measuring tape
- Pencil
- Phillips screwdriver
- Drill
- 7/64" drill bit



## Required Cutout Dimensions



### NOTES:

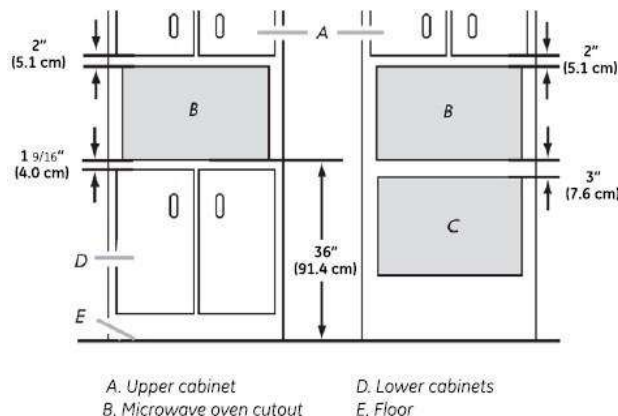
- Height dimension is critical : 17" (43.2cm) minimum, 17 1/8" (43.5cm) maximum.
- 3" (7.6cm) minimum dimension is from lower oven cutout ceiling to microwave cutout floor.
- Trim kit frame extends 1 1/16" (2.7cm) above and below the cutout opening.

## Tools and Parts

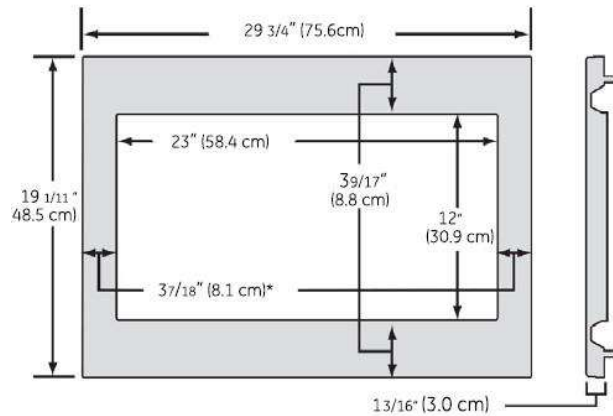
The microwave oven may be installed over a built-in oven. If installing over a built-in oven, make sure there is a minimum of 3" (7.6cm) between the top of the lower oven cutout and the microwave oven cutout floor.

The microwave oven may also be installed in cabinet by itself (without a built-in oven below). For best usability, We recommend a minimum distance of 36" (91.4cm) from the floor to the cutout floor.

Make sure the surrounding cabinetry has clearance to open and close freely. Allow a clearance of at least 19 1/16" (4.0cm) below the cutout floor (3" (7.6cm) for installation above a built-in oven), and a clearance of at least 2" (5.1cm) above the cutout opening.



## Trim kit Frame Dimensions



# Installation Instructions

## Electrical Requirements

**⚠ WARNING**



**Electrical Shock Hazard**

Plug into a grounded 3 prong outlet.  
Do not remove ground prong.  
Do not use an adapter.  
Do not use an extension cord.  
Failure to follow these instructions can result in death, fire, or electrical shock.

Install according to all local governing codes and ordinances.

### Required:

- A 120 volt, 60 HZ, AC only, 15- or 20-amp electrical supply with a fuse or circuit breaker.

### Recommended:

- A time-delay fuse or time-delay circuit breaker.
- A separate circuit serving only this microwave oven.

## GROUNDING INSTRUCTIONS

### For all cord connected appliances:

The microwave oven must be grounded. In the event of an electrical short circuit, grounding reduces the risk of electric shock by providing an escape wire for the electric current. The microwave oven is equipped with a cord having a grounding wire with a grounding plug. The plug must be plugged into an outlet that is properly installed and grounded.

**WARNING:** Improper use of the grounding plug can result in a risk of electric shock. Consult a qualified electrician or serviceman if the grounding instructions are not completely understood, or if doubt exists as to whether the microwave oven is properly grounded.

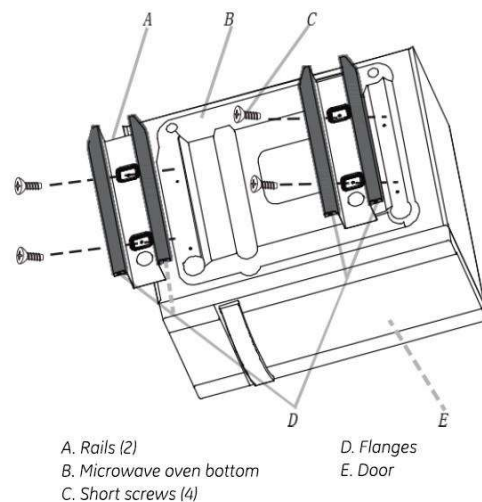
Do not use an extension cord. If the power supply cord is too short, have a qualified electrician or serviceman install an outlet near the microwave oven.

## SAVE THESE INSTRUCTIONS

## Prepare Microwave Oven

### Attach Rails

1. Unplug microwave oven before proceeding with installation.
2. Remove any loose items inside microwave oven.
3. Carefully turn microwave oven onto its top, with the door facing forward (toward installer).
4. Align the two rails on the microwave oven bottom, as shown, making sure the flanges are forward and pointing up.

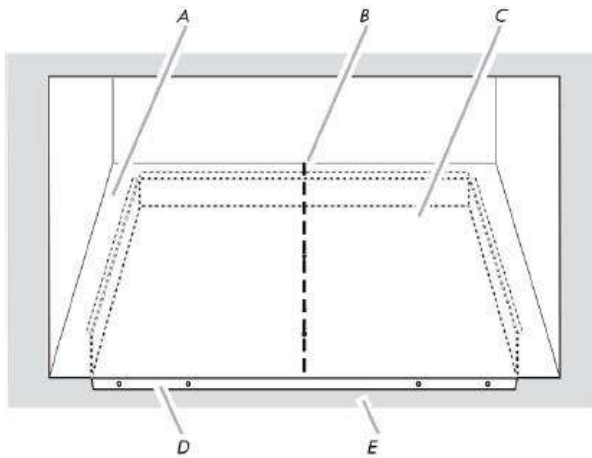


5. Secure the rails to the microwave oven bottom using four short screws.

# Installation Instructions

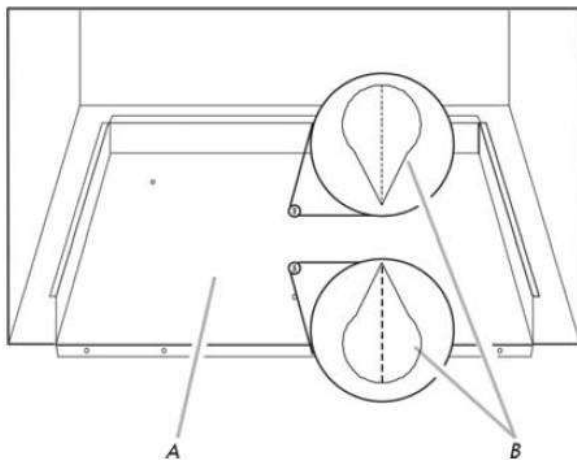
## Prepare Cutout/Cabinet Opening

5. On the cutout floor, find and mark the centerline.
6. Place the bottom duct in the opening, with the flange resting against the bottom front facing of the opening.



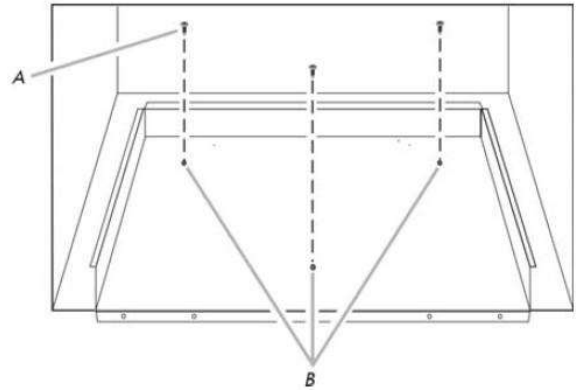
A. Cutout floor  
B. Centerline  
C. Bottom duct  
D. Bottom duct flange  
E. Front facing

7. Align the center arrows on the bottom duct with the centerline drawn in Step 1 above.



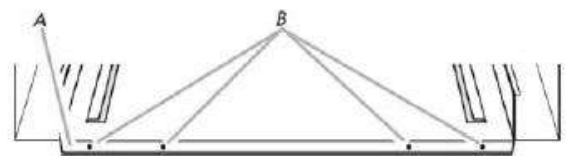
A. Bottom duct  
B. Center arrows, aligned with centerline

1. Align the rails with the rail guides on the bottom duct.



A. Short screws (3)  
B. Bottom duct mounting holes

2. Using a 7/64" drill bit, drill pilot holes into the three hole marks shown in the figure above.
3. Realign and install the bottom duct with three short screws.
4. Using 7/64" drill pilot holes through the four bottom duct flange mounting holes on the bottom front facing of the cutout/cabinet opening.



A. Bottom duct flange  
B. Mounting holes

# Installation Instructions

## Install the Microwave Oven

1. Carefully return microwave oven to its upright position.
2. Position microwave oven near cutout opening.

**⚠ WARNING**

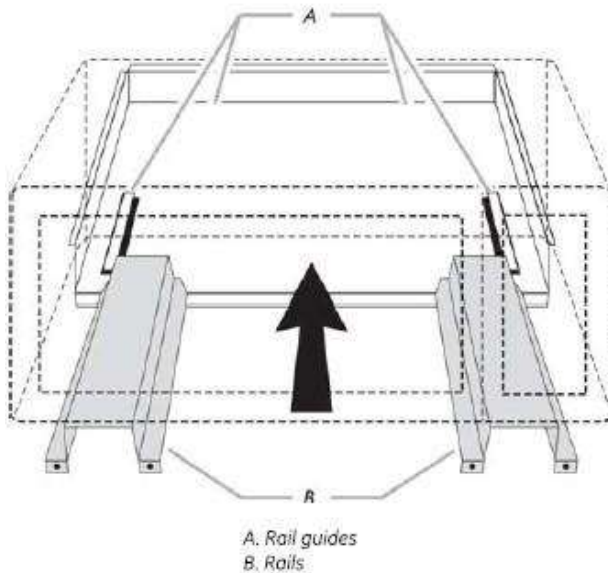


**Electrical Shock Hazard**

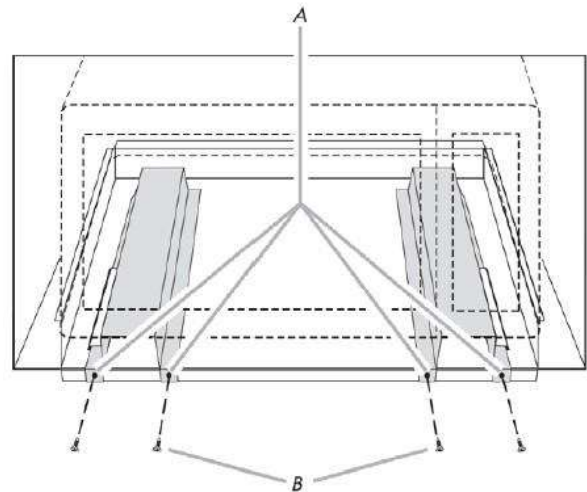
Plug into a grounded 3 prong outlet.  
Do not remove ground prong.  
Do not use an adapter.  
Do not use an extension cord.

Failure to follow these instructions can result in death, fire, or electrical shock.

3. Plug in microwave oven.
4. Align the rails with the rail guides on the bottom duct.



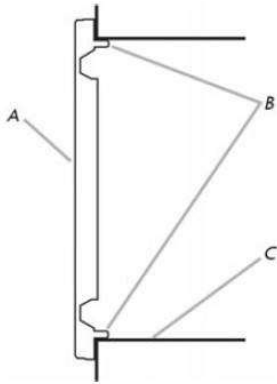
5. Slide the microwave oven back and into place. The mounting holes of the rail flanges and bottom duct flange will align against the bottom front facing of the cutout/cabinet opening.
6. Secure the microwave oven to the cutout/cabinet by installing four short screws into the mounting holes.



# Installation Instructions

## Install Trim kit frame

2. Position trim kit frame over the opening so that the lower tabs rest on the cutout floor, as shown.

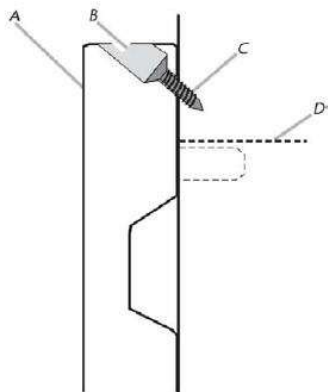


A. Front of trim kit frame  
B. Tabs (upper and lower)  
C. Cutout/cabinet floor

3. Holding the trim kit frame in place, use a 7/64" drill bit to drill four pilot holes into the front facing of the cutout/cabinet through the mounting hole guides in the upper and lower corners of the trim kit frame.

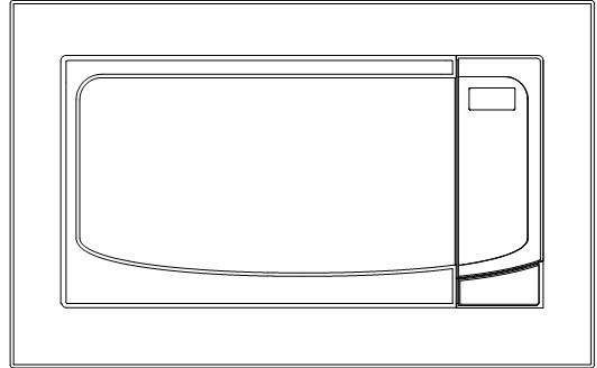
### NOTES:

- The holes will be drilled downward from the top, and upward from the bottom at an angle of about 45 degrees.
- To avoid damage to the trim kit frame, do not over tighten screws.



A. Trim kit frame  
B. Mounting hole guide  
C. Long wood screw (4 - painted)  
D. Cutout ceiling

1. Secure trim kit frame to cutout/cabinet by installing four long wood screws (painted) into the pilot holes drilled Step 2 above.



Installation is now complete. Replace any loose items that have been removed from microwave oven cavity. Save these Installation Instructions for future reference.