

FlushFit™ Top Control Dishwasher with QuadWash® Pro

- FlushFit™ Design
- AutoVent Dry™
- SteamAssist
- Additional 3rd Rack
- Floor Status Indicator
- QuadWash® Pro
- Pocket Handle Design
- LoDecibel™ Operation (46dB)

AVAILABLE COLORS

- PRINTPROOF™ STAINLESS STEEL
- BLACK
- BLACK STAINLESS STEEL
- WHITE



ThinQ Care

Proactive Smart Alerts to Keep Your Appliances Running Smoothly

- Preventative Alerts help you stay a step ahead of potential issues to find proactive solutions before problems arise.
- Avoid preventable repairs and service calls with real-time diagnostics for a hassle-free experience.
- Integrated within LG's ThinQ app—a smart home hub for managing your smart devices and appliances.

CAPACITY

Total Place Settings	16
Upper Rack Dish Height Limit	7.1"
Lower Rack Dish Height Limit	12.5"

RACKS AND BASKETS

Cutlery Baskets	Yes
BPA-Free Nylon Coated Racks and Tines	Yes
Fold Down Tines	Upper: Half Foldable Lower: Half Normal FD & Half Fixed
Height Adjustable	Easy One Touch (3 Levels)
Rack Handle	Yes (Upper)
Rack Color (Handle)	Dark Grey
Rack Color (Tine)	Dark Grey
Gliding Type	Upper: Normal Rail Lower: Normal Wheel 3rd Rack: Normal Rail

STYLE AND DESIGN

Control Panel Location	Top Control
Control Panel Material	ABS (Film Insert)
Touch Control	Yes
Tub Material	Stainless Steel
Handle	Pocket Handle
All Available Colors	Print Proof Stainless Steel
Status Indicators	Mood Light
Remaining Time indicator	LED

FEATURES

Steam	QuadWash Pro
Lower Wash Arm	MAJ QuadWash™
Quad Arm Body Color	Pearl Dark Grey
Quad Arm Nozzle Color	Orange
Spray Arm	Yes
Number of Spray Arms	4 (Top, Upper, Lower, Bottle)
SenseClean™ Wash System	Yes
Vario Wash	Yes
Detergent and Rinse-Aid Dispenser	Yes
Drying System	Auto Open Door
Number of Wash Cycles	5 (Auto, Heavy, Normal, Turbo, Download Cycle)
Number of Options	6 (Steam, High Temp, Extra Dry, Delay Start, Control Lock, Remote, Wi-Fi (AP Mode))

End of Cycle Indicator	Yes (Beeper + END indication on display)
Hidden Water Heater	Yes
Safety Float Switch (Leaks)	Yes
Soil (Turbidity) Sensor	Yes
DirectDrive Motor™	Yes
LoDecibel™ Quiet Operation	46 dBA
Tub Insulation	Yes (Damping Sheet, Sound Absorbing Material)
Anti-Bacterial Treatment (Drain hose)	Yes
Balanced Door	Yes

ThinQ® SMART FEATURES

Wi-Fi Enabled	Yes
ThinQ Care	Yes
SmartDiagnosis™	Yes

POWER RATINGS

ENERGY STAR® Qualified	Yes
Most Efficient Energy Star	Yes
CEE Tier Level	1
Energy Use (kWh/Year)	220 kWh/Year
Water Use (Gallons/Cycle)	2.9

DIMENSIONS / CLEARANCES / WEIGHT

Product Dimensions (in) (W x D x H)	23 3/4" x 23 3/4" x 33 5/8"
Product Weight (Unit)	75 lbs
Product Weight (Carton)	88 lbs
Depth with Door Closed with Handle (in)	23 3/4"
Depth with Door Open (in)	48 1/2"
Clearances (WxDxH)	24" x 24" x 33 5/8"
Carton Dimensions (in) (W x D x H)	28 1/32" x 29 5/8" x 34 7/8"

LIMITED WARRANTY

Labor & Parts	1 Year
Control Board and Rack Parts	Control Board and Rack Parts 2 Years Stainless Tub and Door Liner 2 Years
Direct Drive Motor	10 Years

UPC CODES

LDNPQ445S (Print Proof Stainless Steel)	048231349192
LDNPQ445B (Black)	048231349475
LDNPQ445D (Black Stainless Steel)	048231349208
LDNPQ445W (White)	048231349215

KEY FEATURES

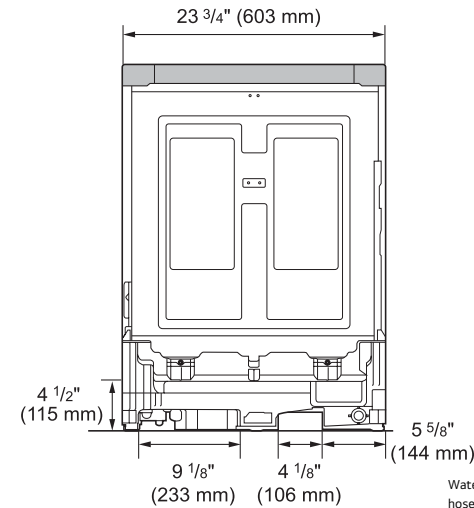
SMART APPLIANCE

PRODUCT FEATURES

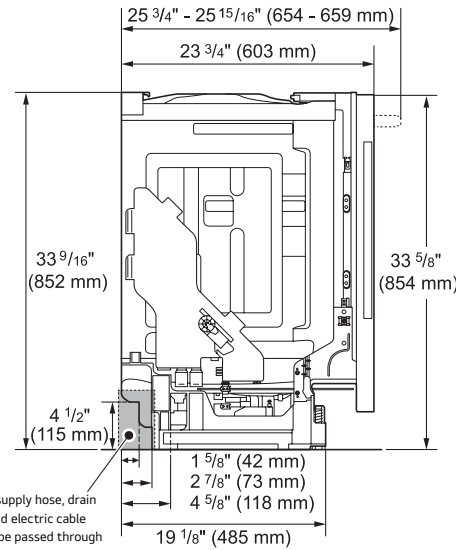
LDNPQ445_

DIMENSION / CLEARANCES

Back View



Side View



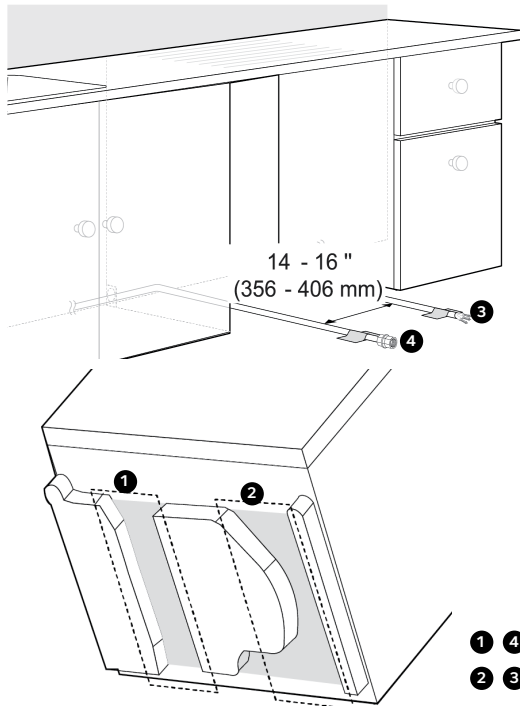
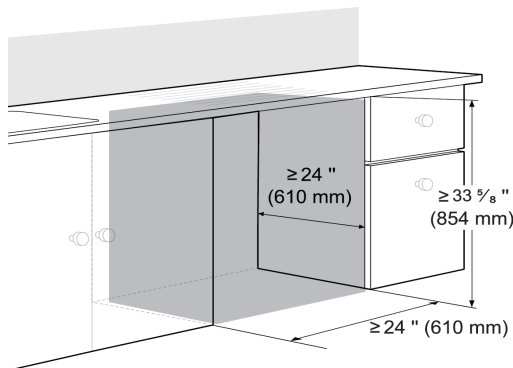
DIMENSIONS / CLEARANCES / WEIGHT

Product Dimensions (in) (W x D x H)	23 3/4" x 23 3/4" x 33 5/8"
Product Weight (Unit)	75 lbs
Product Weight (Carton)	88 lbs
Depth with Door Closed with Handle (in)	23 3/4"
Depth with Door Open (in)	48 1/2"
Clearances (WxDxH)	24" x 24" x 33 5/8"
Carton Dimensions (in) (W x D x H)	28 1/32" x 29 5/8" x 34 7/8"



* LG dishwashers are NSF certified when operated on the High Temp Cycle. Certification to NSF / ANSI Standard 184 for residential dishwashers.

DIMENSION / CLEARANCES



- ① ④ Water Supply Line
- ② ③ Electrical Cable

INSTALLATION NOTES

- This dishwasher is designed to fit a standard dishwasher opening. An opening may be needed on both sides to route plumbing and electrical connections.
- Select a location as close to the sink as possible for easy connections to water supply line, drain hose and electrical connection.
- To ensure proper drainage, install the dishwasher no more than 12 ft. (3.65 m) from the sink.
- The location must have sufficient space for the dishwasher door to open easily and provide at least 0.1" (2 mm) between the dishwasher and the cabinet sides.
- If installing the dishwasher in a corner, leave a minimum of 2" (50 mm) between the dishwasher and the adjacent wall. The adjacent wall must be free of obstructions.
- To allow for proper clearance of plumbing and electrical, use the template included with the literature to determine the clearance on the side of the cabinet where the cabinet meets the back wall. Using a 2 1/2" diameter hole saw, drill a hole in the target area as shown on the template.
- If an extension drain hose is required, use a 5/8" or 7/8" inside diameter, 2-3 ft. length hose and a coupler for connecting the two hose ends.
- For flush installations only, you may remove the cabinet brace inside the cabinet.

