

NSE6DG8550SRAC

6.3 cu. ft. Electric Slide-In Dual Door Range with Illuminated Knobs



Signature Features

True Convection

True Convection circulates air to cook food faster and more evenly than a conventional oven.

Air Sous Vide

Lock in flavour and moisture and avoid overcooking using Air Sous Vide.

Air Fry

Enjoy healthier fried foods with Air Fry built right into your oven. Air Fry tray included.

Precision Knobs

Precisely control and ensure proper activation of your cooktop with integrated knob buttons that must be pinched in before the knobs can be pushed and turned.

Available Colours



Stainless Steel (Shown)



Air Fry



True Convection

Features

- Intelligent User Experience
- True Convection
- Bread Proof 95°F (35°C)
- Wi-Fi Connectivity
- Voice Control
- Bespoke Design
- Convection Vegetable
- Self and Steam Clean
- SmartThings
- Express Boil™
- Download Cooking Modes
- Air Sous Vide
- Air Fry with Included Air Fry Tray
- Fingerprint Resistant Finish
- Precision Knobs
- Storage Drawer
- 2.25" Mono LCD
- Smart Dial

Convenience

- Easy Preset Cook Options
- Smart Control
- Smart Install
- Sabbath Mode



(1) Available on Android and IOS Devices through the SmartThings App.

(2) A Wi-Fi connection is required.

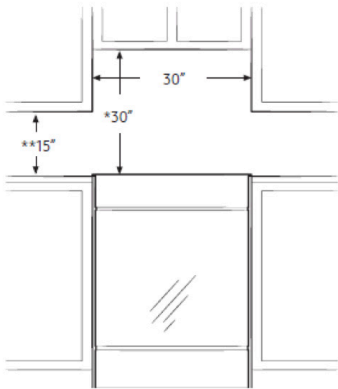
(3) Bixby is Samsung's brand of artificial intelligence (AI) / Internet of Things (IoT) voice assistant. A Samsung account is required.

NSE6DG8550SRAC

6.3 cu. ft. Electric Slide-In Dual Door Range with Illuminated Knobs

Installation Specifications

IMPORTANT: To eliminate the risk of burns or fire caused by reaching over heated surface units, avoid having cabinet storage space located above the surface units. If you have cabinet storage space over the heating elements, you can reduce the risk by installing a range hood that projects horizontally a minimum of 5 inches beyond the bottom of the cabinets.



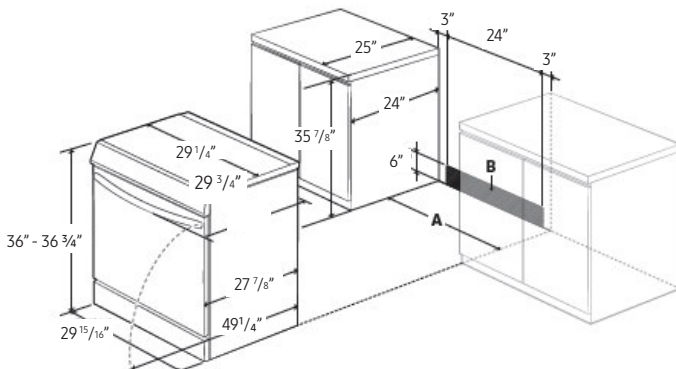
* A minimum of 30" is required between the top of the cooking surface and the bottom of an unprotected wood or metal cabinet; a minimum of 24" is required if the bottom of the wood or metal cabinet is protected by not less than 1/4" of flame retardant millboard covered with not less than no.28 MSG of sheet steel, 0.015" of stainless steel, 0.024" of aluminum, or 0.020" of copper.

** A minimum of 15" is required between the countertop and the adjacent cabinet bottom.

SLIDE-IN CUTOUT

Dimensions

CAUTION: This range has been designed to comply with the maximum allowable wood cabinet temperatures of 194°F. Make sure the wall covering, countertops, and cabinets around the range can withstand the heat (up to 194 °F) generated by the range. If not, discolouration, delamination, or melting may occur.



Power Source

Range rating, watts		Specified rating of power-supply-cord kit and circuit protection, Amps	Diameter (inch) of range connection opening	
120/240 volts 3-wire	120/240 volts 3-wire		Power cord	Conduit
8750-16500	7801-12500	40 or 50 A	1 3/8"	1 1/8"

Radiant Ceramic Cooktop

Right Front: 6"/9"/12" - 3000W
 Left Front: 6"/9" - 3600W Express Boil
 Right Rear: 6" - 1200W
 Left Rear: 6" - 1200W
 Center Rear: 6" Warm Zone (100W)

Oven: 6.3 cu. ft. Capacity

Bake Element: 3000W
 Broil Element: 4200W
 Bake: 175°F - 550°F
 Convection Bake: 175°F - 550°F
 Convection Roast: 175°F - 550°F
 Convection Vegetable: 350°F - 450°F
 Air Fry: 350°F - 500°F
 Air Sous Vide: 100°F - 205°F
 Download Cooking Mode
 - Turkey: 300°F - 500°F
 - Spicy Rib: 300°F - 500°F
 - Pizza & Naan: 350°F - 500°F
 - Seafood: 250°F - 450°F
 - Brownie: 300°F - 450°F
 Convection Element/Heater: 800W

Storage Drawer

Capacity: 0.9 cu. ft.

Warranty

One (1) Year Parts and Labour

Product Dimensions & Weight (WxHxD)

Outside Net Dimensions: 29¹⁵/₁₆" x 36" - 36 ³/₄" x 27⁷/₈"
 Net Weight: 164.91 lb (74.8 kg)

Shipping Dimensions & Weight (WxHxD)

Dimensions: 33¹/₁₆" x 41¹/₈" x 30⁵/₁₆"
 Shipping Weight: 183.2 lb (83.1 kg)

Colour

Stainless Steel

Model

NSE6DG8550SRAC

UPC

887276873084