

RT18DG6500SRAC

SAMSUNG

18 cu. ft. Top-Mount Refrigerator with SmartThings Ready



Signature Features

SmartThings AI Energy

Monitor your energy usage with AI Energy mode in SmartThings¹ Energy.

All-Around Cooling

Cools evenly from corner to corner.

Digital Inverter Compressor

Automatically adjusts its speed to optimize cooling and reduce overwork.

Fingerprint Resistant Finish

Avoid smudges with fingerprint resistant stainless steel.

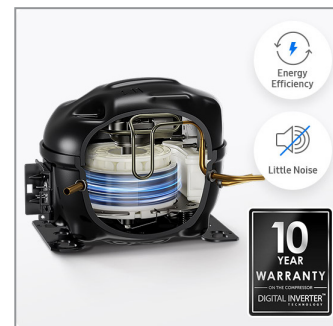
Available Colour



Fingerprint Resistant
Stainless Steel



SmartThings AI Energy



Digital Inverter Compressor

Features

- LED Lighting
- Gallon Door Bin
- Glass Shelf
- ADA Compliant
- Wi-Fi Enabled
- Power Cool & Power Freeze
- Door Alarm
- AI Energy Mode
- All-Around Cooling
- Sabbath Mode

Convenience

- Extra-Large Flexible Storage
- 2 Crisper Drawers
- No Frost
- Optional Ice Maker

Rating



- ENERGY STAR® - Rated
- Energy Consumption (annual) = 634 kWh/yr

¹Available on Android and iOS devices. A Wi-Fi connection and a Samsung account are required.

RT18DG6500SRAC

SAMSUNG

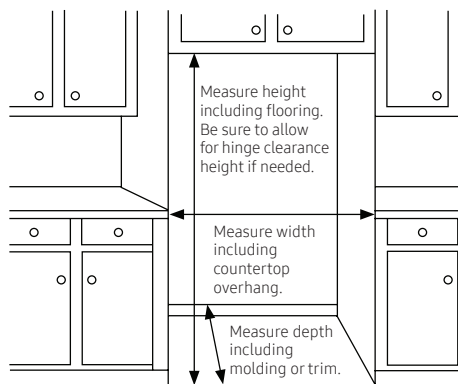
18 cu. ft. Top-Mount Refrigerator with SmartThings Ready

Installation Specifications

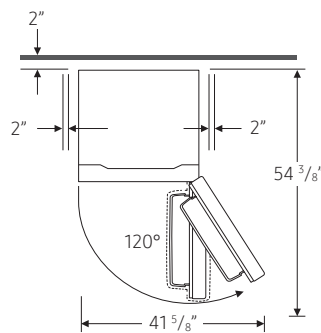
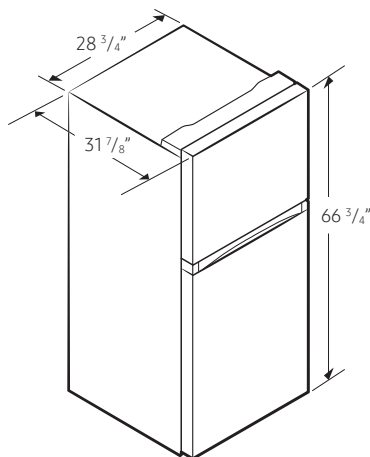
1. Measure the height, width and depth of the opening, making sure to include baseboards, molding tile, countertop overhang, etc. Check to be sure there is enough room to open the door (consider walls, islands or other obstacles when measuring).
2. Refer to illustration below to determine dimensions.
3. Allow $1\frac{1}{4}$ " of clearance on hinge side of refrigerator when installing next to a wall.
4. Allow clearance (more than 2" recommended) at rear for proper air circulation and water/electrical connections. Allow a $\frac{3}{8}$ " minimum clearance at top and for ease of installation.
5. Ensure each door and entryway in the home is wide enough for the refrigerator to be moved through easily.

For optimal usage and to be able to open refrigerator doors completely, do not install next to a wall.

Please note: The following dimension and cutout information is for planning purposes only. For complete installation details, consult manual packed with product, or download manual online at samsung.com.



Dimensions



Total Capacity: 17.5 cu. ft.

Refrigerator: 12.7 cu. ft.

3 Tempered Glass Spill-Proof Shelves
2 Clear Crisper Drawers
3 Door Bins with 2 Gallon Door Bins and 1 Dairy Bin
LED Lighting

Freezer: 4.9 cu. ft.

1 Glass Shelf
2 Door Bins

Accessories

Auto Ice Maker (Optional): RA-TIMO63PP/AA

Warranty

One (1) Year Parts and Labour on Refrigerator
Ten (10) Years Parts on Digital Inverter Compressor

Product Dimensions & Weight (WxHxD)

Dimensions (WxHxD with hinges, handles and doors):

$28\frac{3}{4}$ " x $66\frac{3}{4}$ " x $31\frac{7}{8}$ "

Dimensions (WxHxD without hinges and door):

$28\frac{3}{4}$ " x $65\frac{3}{4}$ " x $28\frac{1}{2}$ "

Weight: 167.6 lb (76 kg)

Shipping Dimensions & Weight (WxHxD)

Dimensions: $30\frac{1}{8}$ " x $70\frac{5}{8}$ " x $33\frac{1}{2}$ "

Weight: 183 lb (83 kg)

Colour

Fingerprint Resistant
Stainless Steel

Model

RT18DG6500SRAC

UPC Code

887276842196