

INSTALLATION INSTRUCTIONS

Heat Pump Tumble Dryer

EN

TD76

T3HW.U

Contents

Introduction	3	Dryer placement	6
Important safety instructions	4	Adjusting the dryer feet	8
Electrical hazard warning during servicing	4	Installation under the counter	9
Installation and connection	5	Stacking on top of a washing machine	10
Technical data	6	Built-in	13
Selecting the room	6	Changing the door opening direction	15
		Electrical installation	17

Dear Customer,

Read these instructions carefully and completely before you install the machine. The installation should be carried out by a qualified person who is familiar with all local codes and ordinances for electrical and plumbing connections. See also the general Safety Instructions in the Use & Care Guide.

Cosmetic damage must be reported to the ASKO dealer within five days from the date of purchase. As soon as you unpack the machine, thoroughly check it for cosmetic damage.

The following symbols are used throughout the manual and they have the following meanings:

INFORMATION!

Information, advice, tip, or recommendation

WARNING!

Warning – general danger

ELECTRIC SHOCK!

Warning – danger of electric shock

HOT SURFACE!

Warning – danger of hot surface

DANGER OF FIRE!

Warning – Risk of Fire

Original instructions

SAVE THESE INSTRUCTIONS FOR FUTURE REFERENCE!

Important safety instructions



SAVE THESE INSTRUCTIONS FOR FUTURE REFERENCE!

⚠ WARNING!

To reduce the risk of fire, electric shock, or injury to persons when using your appliance, follow basic precautions, including the following:

⚠ WARNING!

Clothes dryer installation must be performed by a qualified installer.

⚠ WARNING!

Install the clothes dryer according to the manufacturer's instructions and local codes.

⚠ WARNING!

For proper ventilation, the machine should not be installed behind a door.

The tumble dryer's toe kick ventilation must not be blocked by a rug or the like.

Electrical hazard warning during servicing

⚠ ELECTRIC SHOCK!

Certain internal parts are intentionally not grounded and may present a risk of electric shock only during servicing. Service Personnel – Do not contact the following parts while the appliance is energized: motor, pump and control unit.

DANGER OF FIRE!

To reduce the risk of fire, do not dry articles containing foam rubber or similarly textured rubber-like materials.

WARNING!

Install the clothes dryer according to the manufacturer's instructions and local regulations.

WARNING!

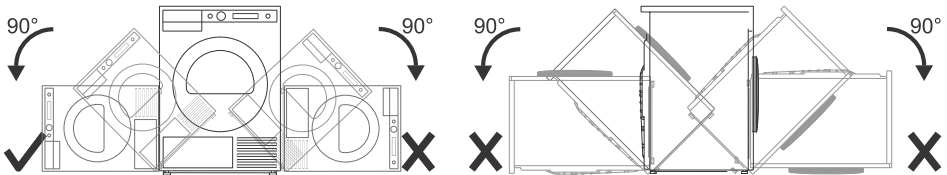
Clothes dryer installation must be performed by a qualified installer.

WARNING!

To reduce the risk of severe injury or death, follow all installation instructions.

WARNING!

Save these instructions.

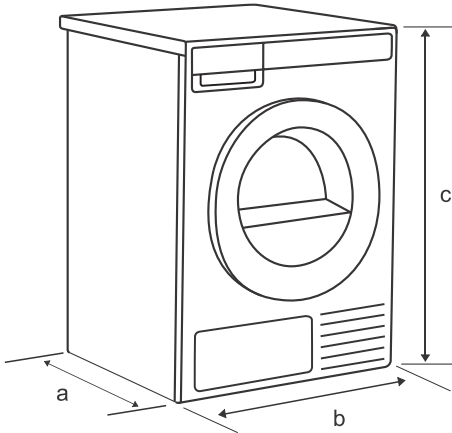


INFORMATION!

After installation, wait for 24 hours without moving the appliance before using it for the first time. If the dryer has to be laid down on one of the sides during transport or servicing, place it with its left side, viewing from the appliance front, downwards.

Installation and connection

Technical data



- a - The dryer depth 24 4/5" (630 mm).
- b - The dryer width is 23 7/16" (595 mm).
- c - The dryer height is 33 7/16" (850 mm).

Selecting the room

💡 INFORMATION!

Do not place the dryer in a room where temperature can drop below 32 °F (0 °C), as the machine may not operate correctly at such low temperatures or may freeze, which can result in damage to the machine.

Install the dryer in a room with adequate ventilation and a temperature between 50 °F (10 °C) and 77 °F (25 °C).

⚠ WARNING!

Do not place the dryer behind lockable or sliding doors, or doors with a hinge on the opposite side of the dryer door hinge. Install the dryer in such way that the door can always be freely opened.

Dryer placement

The dryer can be either free standing or installed on top of a washing machine.

The dryer emits heat. Therefore, do not place it in a very small room, as the drying process may be longer due to limited amount of ambient air.

⚠ WARNING!

Do not place the dryer on a carpet with long fibers as this may impede air circulation.

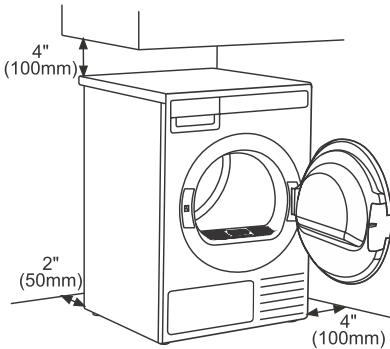
⚠ WARNING!

Never block the air exhaust (ventilation opening).

Clearance around the dryer for optimum operation

⚠ WARNING!

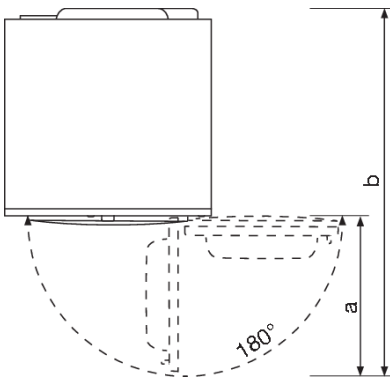
The dryer must not be in contact with a wall or adjacent furniture. For optimal dryer performance, we recommend maintaining the clearances from the walls as shown in the figure. Failure to observe the required minimum clearance may cause the dryer to overheat.



For safety reasons, maintain a minimum clearance of 1" (25 mm) between the back of the appliance and the wall, and at least 1 5/8" (40 mm) between the top of the appliance and any overhead structure.

For installing the dryer into a cabinet, refer to the special installation requirements in section *Built-in*.

Opening the dryer door (top view)



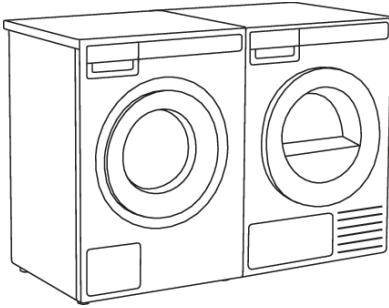
The dryer door width (a) is 19 13/16" (503 mm).

The dryer depth with door open (b) is 44 5/8" 1132,5 mm.

The dryer door can be opened up to the angle of 180°.

Installation and connection

Freestanding appliance

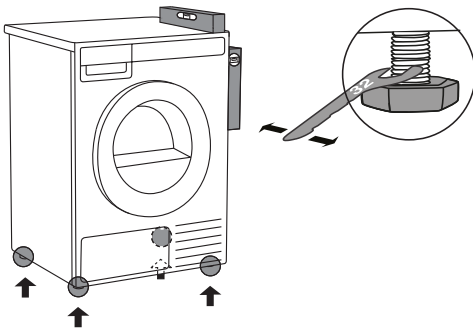


The dryer may be placed adjacent to a washing machine.

If the friction between the dryer feet and the floor is not sufficient, the dryer may move during operation.

To prevent any sliding, use a non-slide mat.

Adjusting the dryer feet



Place the dryer so that it is stable.

Use a spirit level to level the dryer in longitudinal and traverse direction by rotating the adjustable feet using a No. 32 spanner (max. 9/16" (15 mm)).

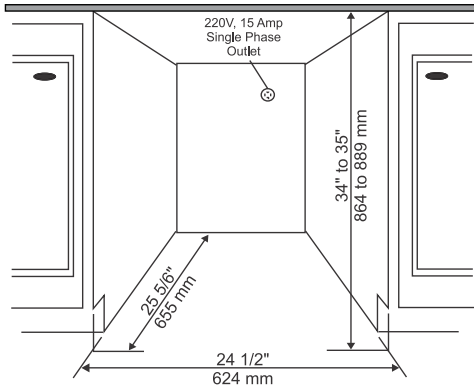
⚠ INFORMATION!

Incorrect leveling of the dryer with the adjustable legs may cause vibration, appliance sliding across the floor, and loud operation. Incorrect leveling of the dryer is not covered by the warranty.

⚠ INFORMATION!

Sometimes, unusual or louder noises may occur during appliance operation; these are mostly the result of improper installation.

Installation under the counter



ASKO dryers can be installed under a counter or a countertop that is at least 34" (864 mm) high, measured from the floor to the underside of the countertop. There must be a clearance of at least 1/2" (12 mm) on all sides of the appliance. There must be a minimum clearance of 1" (25 mm) between the rear edge of the appliance's top panel and the wall behind it. The width of the opening or niche where the appliance is to be installed must be at least 24 1/2" (624 mm), measured between the side walls of the niche.

Install the dryer so the condensed water will continuously flow into a drain or sink, you will need a drain outlet behind the unit. The maximum drain height is 1000 mm (39 3/8").

💡 INFORMATION!

The height adjustment for the dryer is between 33 1/2" (850 mm) to 34 1/2" (876 mm). Do not raise the appliance higher than 34 1/2" (876 mm).

It is very important to avoid a buildup of heat.

The warm air which is expelled from the rear of the dryer must be able to dissipate.

Warm air which cannot dissipate could cause a fault.

A buildup of heat can be avoided by:

- Creating a gap for the dryer in the kitchen cabinet toe space.
- Creating ventilation gaps in the kitchen unit.

When built in, drying times may be longer.

💡 INFORMATION!

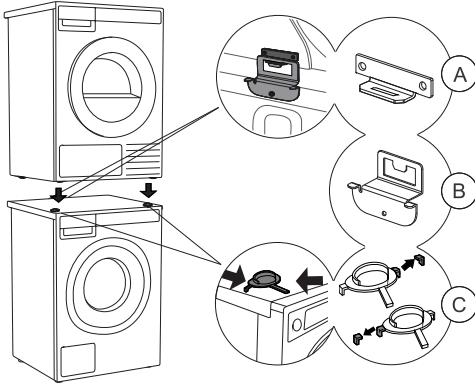
The dryer should not be installed next to a refrigeration appliance. The warm air expelled from the back of the dryer can increase the temperature around the refrigeration appliance's heat exchanger, causing the compressor to run continuously. If it is not possible to install the dryer elsewhere, the refrigeration appliance must be properly sealed off from the dryer.

Installation and connection

Stacking on top of a washing machine

⚠ WARNING!

At least two people are required to install the tumble dryer on top of a washing machine.



To stack the dryer on top of a washing machine, use the front feet (plastic footrests (C)) and the tipping guard (A+B), supplied in the dryer drum (see chapter *How to stack a dryer onto the washing machine (ASKO)*).

If the washing machine and dryer are not of the same dimensions, or if you have installed an intermediate compartment between the washing machine and dryer (ang.: Hidden Helper), you can purchase a connecting plate intended for the WM86-TD76 combination from your dealer or at the repair shop.

💡 INFORMATION!

The tipping guard (B) is designed for ASKO washing machines and cannot be installed on washing machines from other brands

💡 INFORMATION!

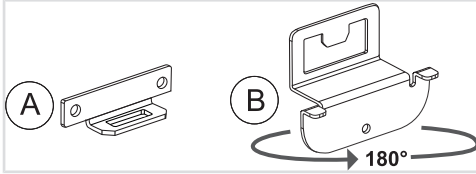
The washing machine on which you wish to install the dryer must be able to bear the weight of the dryer (see washing machine's rating plate or technical information).

All ASKO washing machines can bear the weight of the ASKO dryer.

Installation and connection

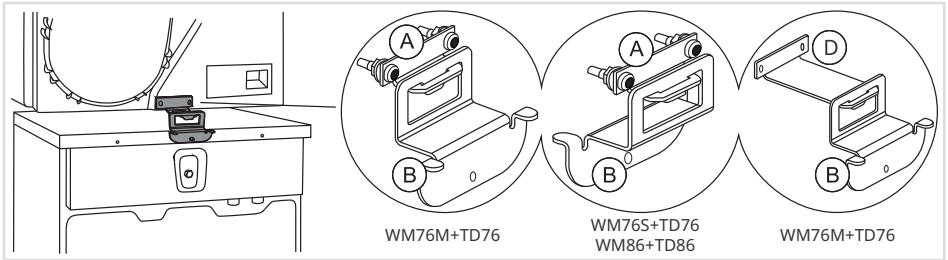
How to stack a dryer onto the washing machine (ASKO)

There is additional packaging in the dryer drum, which contains tipping guards (A, B), plastic footrests (C) and screws.



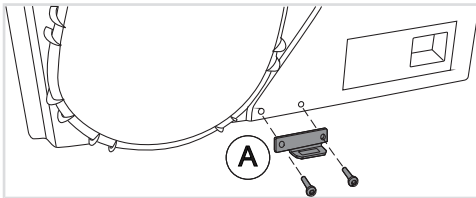
1 The tipping guard consists of two metal parts (A + B).

Part (B) can be rotated 180°. Turn it according to the depth of the washing machine and dryer.

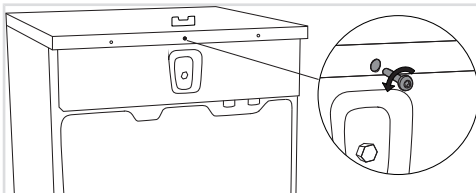


Select the correct combination based on the type of washing machine and dryer, as indicated on the rating plate located on the inside of each appliance's door.

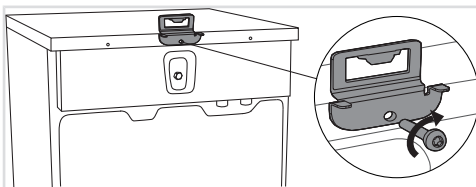
If your dryer is shallower than the washing machine, you can purchase a suitable longer guard (D) from your dealer (ART. No.: 924231 OVERTURNING PROTEC.TD-76/WM-86).



2 Attach part (A) to the rear bottom of the dryer using the two screws, washers, and nuts included in the package.



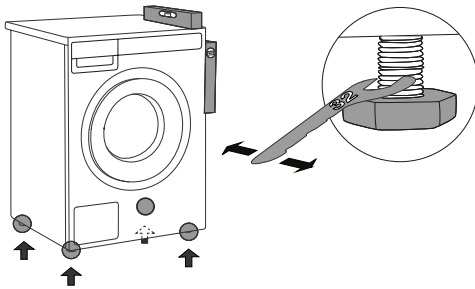
3 Undo the screw on the back side of the washing machine.



4 Use the screw to attach the tipping guard (B) to the back of the washing machine.

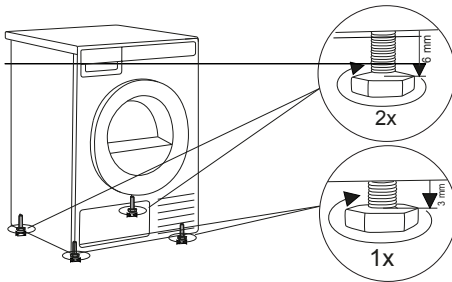
Turn the part (B) according to the depth of your dryer and washing machine (see point 1).

Installation and connection



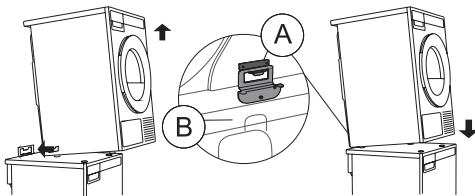
5 Level the washing machine so that it is stable.

1. Level the washing machine in longitudinal and traverse direction by rotating the adjustable feet using a No. 32 spanner. The feet allow levelling by +/- 3/8" (1 cm) cm.



6 Set the dryer feet:

1. First, tighten all 4 feet completely (clockwise).
2. Unscrew the front 2 feet by exactly 1 turn 1/8" (3 mm) anticlockwise.
3. Then unscrew the last 2 feet by exactly 2 turns 1/4" (6 mm) anticlockwise.



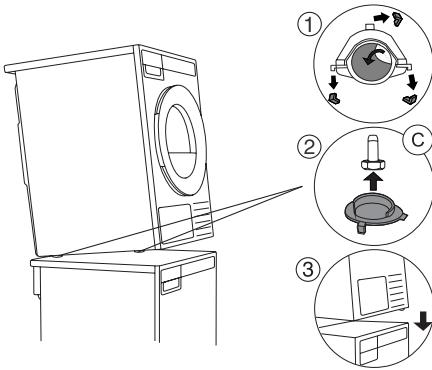
7 Place the dryer onto the washing machine.

1. Lift the front part of the dryer by 3/16–3/8" (5–10 cm).
2. Push the tumble dryer into the tipping guard (part B into part A) and install it on top of the washing machine (see also figure in chapter *Stacking on top of a washing machine*).

⚠ INFORMATION!

Ensure that both parts of the tipping guard (A + B) are locked. The front of the washing machine and dryer must be aligned!

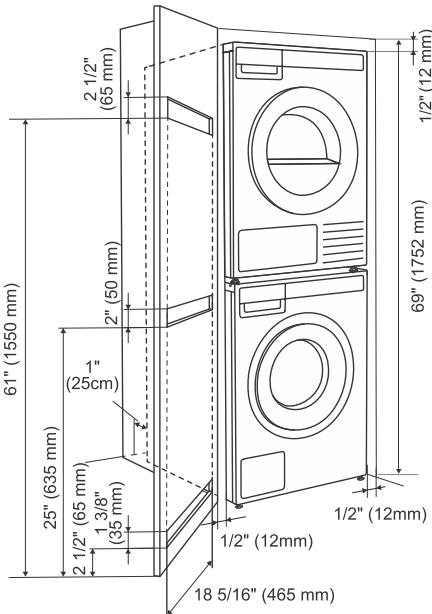
Installation and connection



8 Stick the plastic foot attachments onto the washing machine.

1. Break off the plastic positioners and peel off the adhesive film from the plastic plugs.
2. Lift the front part of the dryer and adjust and hold the plastic plugs on the front feet of the dryer (make sure that the plugs are correctly positioned on the right and left feet, respectively, in relation to the broken-off particle). Also make sure that the feet fit properly in the plug.
3. Now lower and position the dryer onto the washing machine, with the C-plugs automatically sticking to the surface of the washing machine.

Built-in

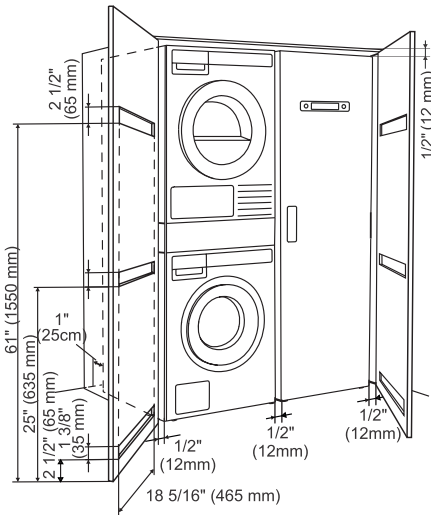


Closet Install- Ventilation Requirements

ASKO's front panel controls make it possible to install the washers and dryers in a cabinet or closet.

The distance between the left or right side of the appliance and the surface of the side of the cabinet or the surface of the wall of the recess in which the appliance is installed must be at least 1/2" (12 mm). The distance between the back of the appliance (note the deepest point of the appliance) and the surface of the back of the cabinet or the wall of the recess must be at least 1" (25 mm). See figure.

Installation and connection



Ventilation Requirements of ASKO laundry concept (when installing the appliance in a closet)

Make sure there is space between the appliance and the furniture element or wall, and at least 1" (25 mm) of space between the back edge of the top panel of the appliance and the furniture element or wall.

When the closet or cabinet is closed with a door, we recommend using louvered doors to ensure proper ventilation.

Otherwise, the door must have ventilation gaps. See the figure for the dimensions of the ventilation openings.

💡 INFORMATION!

Ensure the dryer door can be opened without hindrance after installation.

The cool air intake panel at the front of the dryer must not be blocked or covered. Doing so could cause an error.

⚠️ WARNING!

Failure to follow these instructions can negatively impact the appliance performance and may also result in failure of the appliance.

Changing the door opening direction

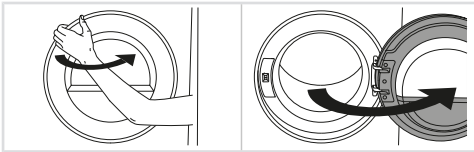
⚠ WARNING!

Before changing the door opening direction, the appliance must be disconnected from the power supply! See chapter *Important safety instructions*.

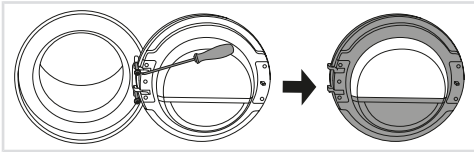
⚠ WARNING!

Changing the door opening direction should be done by an installer, service provider, or similarly qualified persons in order to avoid any hazards.

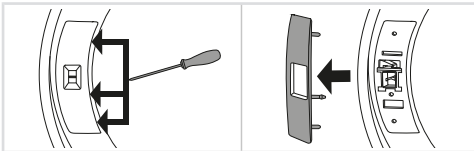
To change the direction of door opening, proceed as follows:



1 Open the door fully.



2 Undo the screws and remove the door.

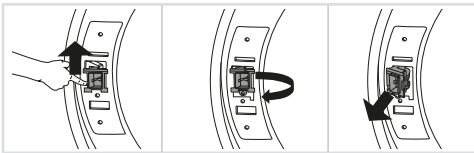


3 Carefully remove the door lock cover with a narrow, blunt object.

Release the latches on the door lock cover in the indicated order.

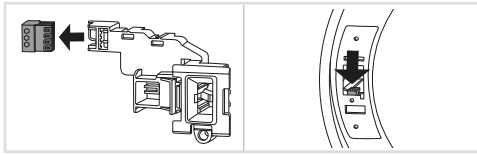
⚠ WARNING!

When removing, make sure not to bend the cover or its latches, as they may get damaged.



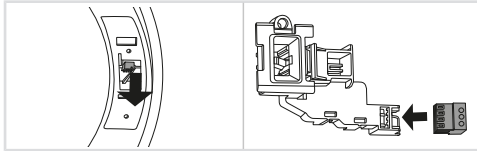
4 Push the door lock up, slide it to the left and remove it from the appliance in a rotating motion.

Installation and connection

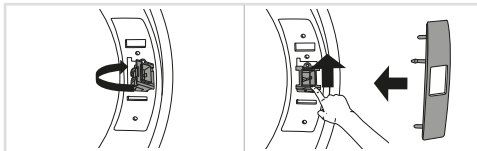


5 Remove the connector from the lock.

Insert the connector into the rib of the plastic housing to prevent the appliance from rattling when the connector is not plugged in.

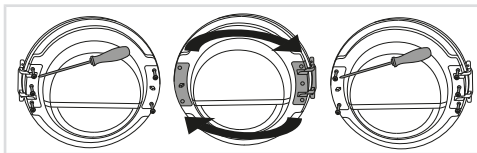


6 On the opposite side where the door has come off, remove the connector from the rib, pull it out of the appliance and connect it to the door lock.



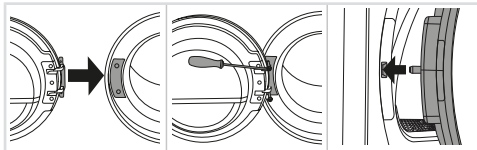
7 Place the door lock in the appliance in the reverse order of its removal from the appliance.

Remount the door lock cover.



8 Undo the door hinge assembly (left) and the door latch assembly (right), switch their positions, and replace the screws (door hinge assembly to the right-hand side, door latch assembly to the left-hand side).

Use a screwdriver to remove the plastic part more easily.



9 Install the door on the front wall and screw it in.

Install the door in a fully open position and do not lift it while screwing. It is correctly installed only if the door latch is aligned with the center of the door catch or slightly above it!

Electrical installation

ELECTRIC SHOCK!

The receptacle on the rear of the machine is designed to accommodate ASKO washers ONLY (rated 208–240 V.) To use this receptacle, you must use the ready-fitted plug supplied with the washing machine or an equivalent. ASKO washers rated 208–240 V have two internal fuses of 15 A each. The machine should only be connected to a grounded wall socket.

WARNING!

This appliance must be properly grounded. Refer to the "Important Safety Instructions" for grounding instructions. The power supply cord must be grounded. If the machine is to be used in a wet area, the supply must be protected by a residual current device. Connection to a permanently wired supply point must be made only by a qualified electrician.

WARNING!

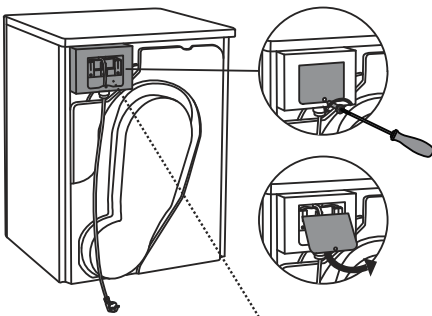
The receptacle on the rear of the machine is designed to accommodate ASKO washers ONLY (rated 208–240 V.) To use this receptacle, you must use the ready-fitted plug supplied with the washing machine or an equivalent.

ASKO washers rated 208–240 V have two internal fuses of 15 A each.

The machine should only be connected to a grounded wall socket.

INFORMATION!

Do not connect the machine to the mains electricity supply by an extension cord.



Remove cover to access terminal box.
(Requires a 20-Torx screwdriver.)

Installation and connection

Electrical Connections

⚠ WARNING!

Read the Electrical requirements and grounding instructions before connecting the tumble dryer.

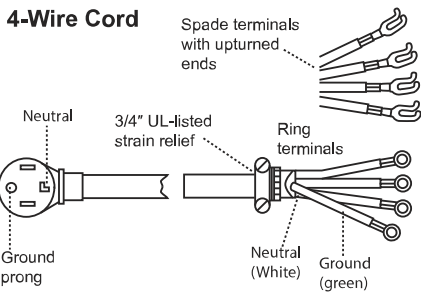
💡 INFORMATION!

The dryer is delivered ready-fitted with a four-prong plug intended for connection to a 4-wire NEMA Type 14-30R receptacle.

Connecting a 4-wire Power Cord

NOTE!

Before starting this procedure, be sure the power is turned off at the breaker/fuse box.

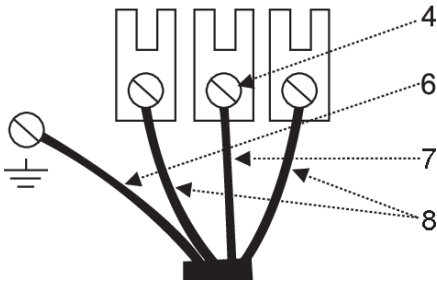


Power Supply Cord

💡 INFORMATION!

The numbers in the illustration correlate to the step numbers.

Installation and connection



1. Turn the power off at the breaker or fuse box.
2. Remove terminal block cover.
3. Use the strain relief attached below the terminal block opening.
4. Loosen or remove center terminal block screw.
5. Remove ground wire (green with yellow stripes) from external ground connector screw and remove from center terminal block.
6. Connect ground (green) wire of cord to external ground conductor screw.
7. Connect neutral (white) wire of cord under center screw of terminal block.
8. Connect the other wires to outer screws.
9. Tighten the strain relief screws.
10. Replace terminal box cover on back of dryer.
11. Plug dryer into wall receptacle.
12. Turn power on at breaker/fuse box.



www.us.asko.com



951587-a2



We reserve the right to make changes.