



## Tumble dryer

T5HXLW.U

**5-series**

**Capacity: 24.3 lb**

**Condenser with heat pump**

**Number of program: 18**

**Auto condenser filter cleaning**

**Installation: Freestanding**



### Construction and performance

- Inner drum: Stainless Steel
- Motor: Long life and quiet brushless motor
- Heating system: Heat pump
- Drying types: Sensor or time controlled
- Drum volume: 5.2 Cubic ft
- Shortest program time: 30 min
- Easy to use lint filter: Yes, Asko double lint filter

### Use and flexibility

- Water tank volume: 1.7 gal
- Automatic programs: Yes
- Door opening diameter: 13 3/8 "
- Door maximum opening angle: 180 °
- Sensors: Moisture sensor
- Auto condenser filter cleaning: Yes
- Load Light™ - Illumination of the drum: Yes

### Interaction and control

- Remaining time indication: Yes
- Type of display: TFT - Full colour touch display (possible to interact with jog dial as well)
- Indication when program is ready: Yes
- Language settings: Chinese simplified, Chinese traditional, Swedish, Slovenian, Slovak, Russian, Polish, Norwegian, Dutch, Latvian, Lithuanian, Japanese, Italian, Croatian, French, Finnish, Estonian, Spanish, English, German, Danish, Czech

### Programs and options

- Number of program: 18
- Drying programs: Auto normal dry, Wool, Time program, Conditioning, SportWash, Shirts, Bedding, Drum cleaning, Antiallergy, AirRefresh, Cotton storage, Cotton iron, Delicate, Synthetics, Mixed laundry, Down/bulky items, Quick pro cotton, Jeans
- Settings: Load level setting, Half load, Delayed start, Low temperature option, Setting of dryness level, Timed drying, Anti-crease function, Pause, Quick dry, Beep indicating that program is ended, Disinfection mode

### Design and integration

- Door hinge placement: Right/Left
- Adjustable feet: 9/16 "
- Easy mounting of ASKO dryer on top of the washers: Yes, on XL WM
- Loading type: Front load

### Safety and maintenance

- Child lock on display: Yes
- Overheat protection: For motor and electronics

#### Technical data

- Noise level drying dB(A): 61
- Power consumption in standby mode: 0.39 W
- Consumption in off mode: 0.22 W
- Plug type: USA
- Connected load: 700 W
- Voltage (V): 208-240 V
- Number of phases: 1
- Fuse: 30 A
- Frequency: 60 Hz
- Net weight: 134.9 lb
- ISO 14001 certified manufacturing: Yes

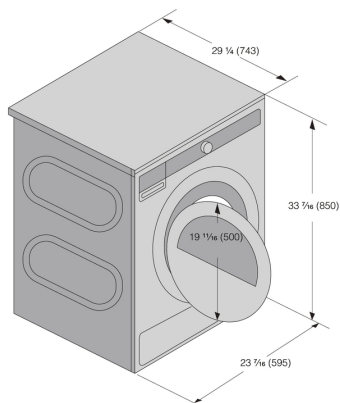
#### Dimensions

- Width: 23 7/16 "
- Height: 33 7/16 "
- Depth: 29 3/8 "
- Depth with door open: 45 7/8 "
- Length of electrical cord: 82 11/16 "

#### Logistic information

- Packaging width: 24 7/16 "
- Packaging height: 36 7/16 "
- Packaging depth: 33 7/8 "
- Gross weight: 146.4 lb
- Product code: 746376
- EAN code: 3838783002525

Inches (millimetres)



TD96/Wen%USA

