



## Steel Seal™ Washing machine

W4114CT

**Logic**

**Loading capacity: 24.3 lb**

**1400 rpm**

**Number of program: 22**

**Installation: Freestanding**



### Programs

- Programmes: Wool/hand wash, Mix/synthetic, Quick, Time program, Easy Care, Jeans, Everyday wash, Standard cotton, Heavy
- Special washing programs: Allergy program Cotton, Auto, Hygiene, Allergy program Synthetics, Shirts, Dark wash, Quick Pro, Bedding, Steam refresh
- Special functions: Spin, Drain, Rinse, Drum cleaning
- Modes: Intensive mode - Improved cleaning with more water and energy. Temperature is kept at high level for longer, Speed mode - More water and energy used to ensure a clean laundry in shorter time, Allergy mode - Adds extra water and program time to ensure a well rinsed load, Green - Saves water and energy. Program time slightly longer, Normal - No changes to the program

### Additional options

- Temperature range: 194 °F
- Spin speed setting: Adjustable
- Max spin speed: 1400 rpm
- Delayed start: 30 min to 24 hours
- Settings: Prewash, No spin, Temperature setting, High water level, Super rinse, Delayed Start

### Construction and performance

- Door sealing: Steel Seal™ - Hygienic sealing without rubber bellow
- Quattro Construction™ : Yes
- Tub: Stainless Steel
- Inner drum: Stainless Steel
- Counter weight material: Cast iron
- Counterweight: 44.3 lb
- Active Drum™ - Ensure a gentle yet effective washing cycle: Yes
- Max +/- 1 °F temperature variation: Yes
- Drum volume: 2.8 Cubic ft
- Door hinge placement: Left
- Door opening diameter: 12 3/16 "
- Door maximum opening angle: 110 °
- Motor: Long life and quiet brushless motor

### Use and flexibility

- Easy Close door: Yes
- Door lock: Electronic
- Stop flap for Liquid detergent: Yes
- Automatic detergent drawer cleaning: No
- Load Light™ - Illumination of the drum: No
- Dose assist: Yes
- Wifi: No

### Interaction and control

- Remaining time indication: Yes
- Type of display: LCD display
- Transparent door cover/Double glass door: Transparent door cover
- Number of program: 22

- Create own program: Yes
- Language settings: Chinese simplified, Chinese traditional, Swedish, Slovenian, Slovak, Russian, Polish, Norwegian, Dutch, Latvian, Lithuanian, Japanese, Italian, Croatian, French, Finnish, Estonian, Spanish, English, German, Danish, Czech

#### **Design and integration**

- Main color of product: Metallic grey
- Easy mounting of ASKO dryer on top of the washers: Yes
- Loading type: Front load
- Adjustable feet: 3/8 "

#### **Safety and maintenance**

- Maximized water inlet time: Yes
- Water inlet hose: Yes
- Drain system: Anti Block™ - Self-cleaning drain pump
- Overflow protection: Yes
- Emergency door opening function: Yes
- Child lock on display: Yes
- Unbalance detection - Protects the washer against harmful vibrations: Yes
- Draining capacity: 5.3 gal/min
- Overheat protection: For motor and electronics

#### **Technical data**

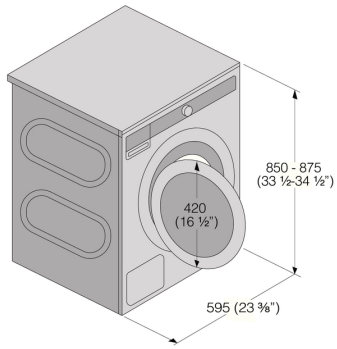
- Loading capacity: 24.3 lb
- Plug type: USA
- Connected load: 2200 W
- Voltage (V): 208-240 V
- Number of phases: 1
- Fuse: 15 A
- Frequency: 60 Hz
- Heater power: 2000 W
- Net weight: 200.6 lb
- Noise level during spin dB(A): 74
- Noise level during washing dB(A): 52
- Estimated annual water consumption: 2477.9 gal
- Water connection: Cold water
- ISO 14001 certified manufacturing: Yes

#### **Dimensions**

- Width: 23 7/16 "
- Height: 33 7/16 "
- Depth: 27 9/16 "
- Depth with door open: 41 5/8 "
- Length of electrical cord: 78 3/4 "
- Length inlet hose: 59 1/16 "
- Length outlet hose: 63 "

#### **Logistic information**

- Packaging width: 25 3/16 "
- Packaging height: 36 1/4 "
- Packaging depth: 30 9/16 "
- Gross weight: 208.1 lb
- Weight of packaging: 7.5 lb
- Product code: 578207
- EAN code: 3838782013416



Washing Machine WM 65USA Cold water

