

# INSTALLATION INSTRUCTIONS

## Unpack the Wine Cellar

### **⚠️ WARNING**

#### Excessive Weight Hazard

Use two or more people to move and install wine cellar.  
Failure to do so can result in back or other injury.

### Remove the Packaging

- Remove tape and glue residue from surfaces before turning on the wine cellar. Rub a small amount of liquid dish soap over the adhesive with your fingers. Wipe with warm water and dry.
- Do not use sharp instruments, rubbing alcohol, flammable fluids, or abrasive cleaners to remove tape or glue. These products can damage the surface of your wine cellar. For more information, see “Wine Cellar Safety.”
- Dispose of/recycle all packaging materials.

#### When Moving Your Wine Cellar:

Your wine cellar is heavy. When moving the wine cellar for cleaning or service, be sure to cover the floor with cardboard or hardboard to avoid floor damage. Always pull the wine cellar straight out when moving it. Do not wiggle or “walk” the wine cellar when trying to move it, as floor damage could occur.

### Clean Before Using

After you remove all of the packaging materials, clean the inside of your wine cellar before using it. See the cleaning instructions in “Wine Cellar Care.”

## Door Closing

Your wine cellar has four leveling legs. If your wine cellar seems unsteady or you want the door to close more easily, adjust the wine cellar’s tilt using the instructions below.

### **⚠️ WARNING**



#### Electrical Shock Hazard

- Plug into a grounded 3 prong outlet.
  - Do not remove ground prong.
  - Do not use an adapter.
  - Do not use an extension cord.
- Failure to follow these instructions can result in death, fire, or electrical shock.

1. Plug into a grounded 3 prong outlet.

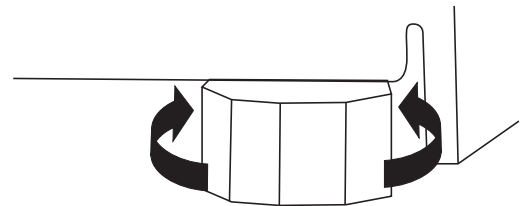
### **⚠️ WARNING**

#### Excessive Weight Hazard

Use two or more people to move and install wine cellar.  
Failure to do so can result in back or other injury.

2. Move the wine cellar into its final location.
3. Turn the leveling legs to the right to lower the wine cellar or turn the leveling legs to the left to raise it. It may take several turns of the leveling legs to adjust the tilt of the wine cellar.

**NOTE:** Having someone push against the top of the wine cellar takes some weight off the leveling legs. This makes it easier to adjust the leveling legs.



4. Open the door and check that it closes as easily as you like. If not, tilt the wine cellar slightly more to the rear by turning both front leveling screws to the left. It may take several more turns, and you should turn both leveling legs the same amount.

## Wine Cellar Doors

**Tool Needed:** #2 Phillips screwdriver

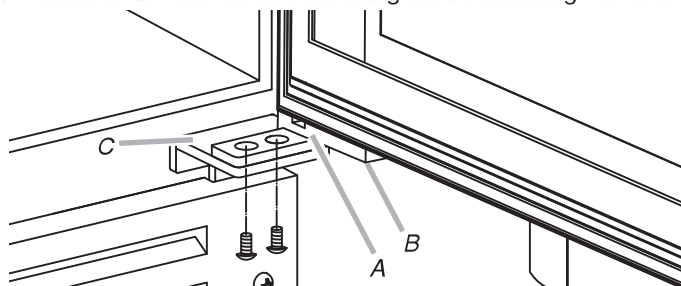
### Remove Door and Hinges

1. Open the door to a 90° angle and remove the screws for the bottom door hinge.
2. Remove the door by pulling it forward and away from the wine cellar.
3. Remove the three screws from the top hinge and remove the hinge.

### Reverse Door Swing (optional)

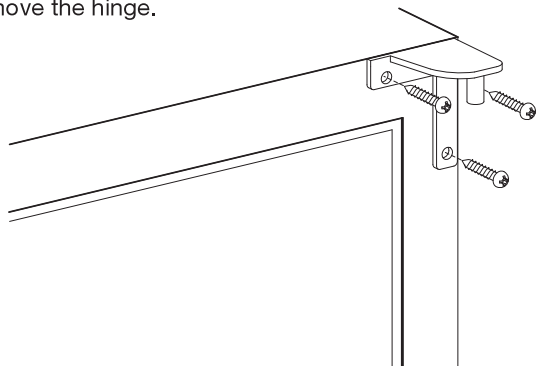
**NOTE:** There are two hinges for reverse door installation, one for a right-hand door swing and one for a left-hand door swing. Install the top hinge designed for the desired door swing.

1. Remove the two screws attaching the bottom hinge to door.

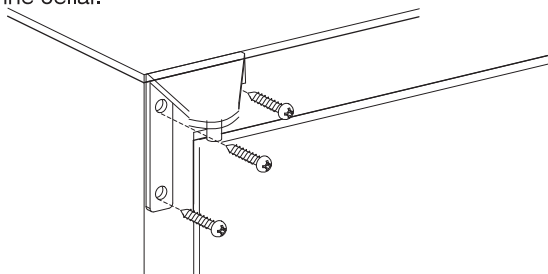


A. Bottom hinge pin  
B. Door stop  
C. Bottom hinge

2. Remove the door by lifting it up and then pulling it away from the wine cellar.
3. Remove the three decorative screws from the upper left corner of the front of the wine cellar.
4. Remove the three screws from the right top hinge, and then remove the hinge.

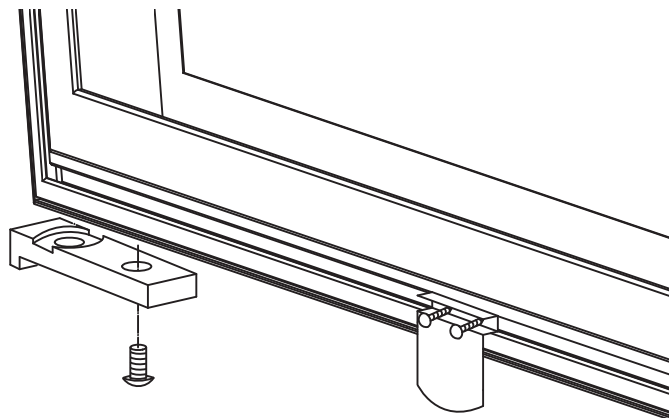


5. Using the three screws removed in the previous step, attach the left top hinge to the upper-left corner on the front of the wine cellar.



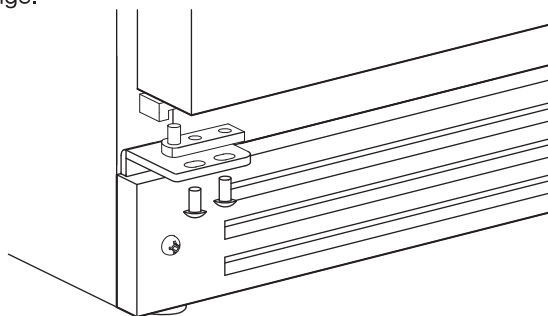
**NOTE:** The left hinge is included in the bag with the Use and Care Guide.

6. Insert the three decorative screws removed in Step 3 into the three holes in the upper right corner of the front of the wine cellar.
7. Remove the screws for the mechanical switch and door stop; remove the mechanical switch and door stop. Attach the mechanical switch and door stop to the reverse side of the door.

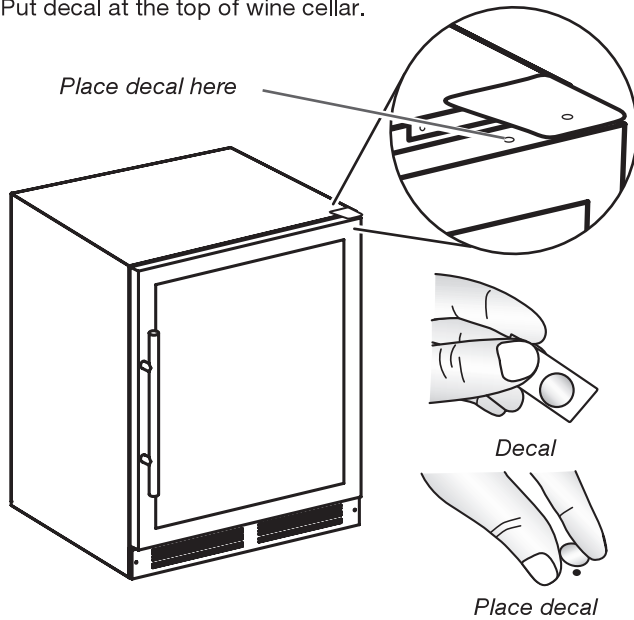


**NOTE:** The screws for the mechanical door switch are located behind the seal. Remove the seal first, and then remove the mechanical door switch screws. After reattaching the mechanical door switch, place the seal in the original position.

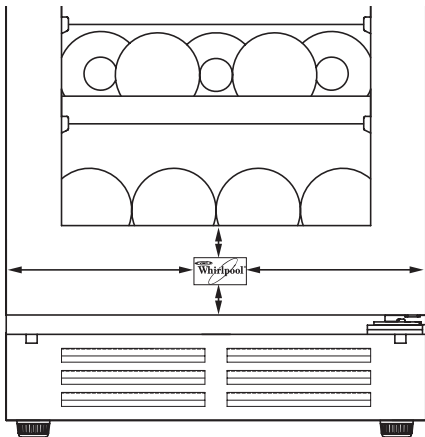
8. Remove Whirlpool badge. (Only models: WUW55X15HS & WUW55X24HS)
9. Attach the bottom hinge to the reverse side of the door, and then flip the door 180° so that the hinge is now on the bottom of the door.
10. Insert the top corner of the door into the top hinge pin and reinstall the door on the wine cellar.
11. Press the door and the bottom hinge pin onto the bottom hinge.



12. Put decal at the top of wine cellar.



13. After you change door (left hinge), place Whirlpool badge at bottom of wine cellar. (Only models: WUW55X15HS & WUW55X24HS)  
**NOTE:** The decal & Whirlpool badge are included in the bag with Use and Care Guide.



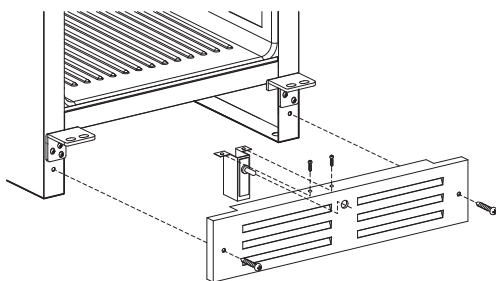
14. Check the alignment of the door and the door seals.  
 15. Tighten the hinge screws (as necessary).

## Base Grille

You must remove the base grille to access the condenser coils for cleaning.

### To Remove the Base Grille:

1. Open the wine cellar door.
2. Using a Phillips screwdriver, remove the two screws from the base grille.
3. Remove the two screws holding the mechanical switch to the grille.



4. Remove the base grille.

### To Replace the Base Grille:

1. Open the wine cellar door.
2. Reattach the mechanical switch using the two sensor screws.
3. Replace the two base grill screws. Tighten the screws.

## Handle Assembly

**NOTE:** Only for models WUW55X15DS & WUW55X24DS.

## ⚠ WARNING

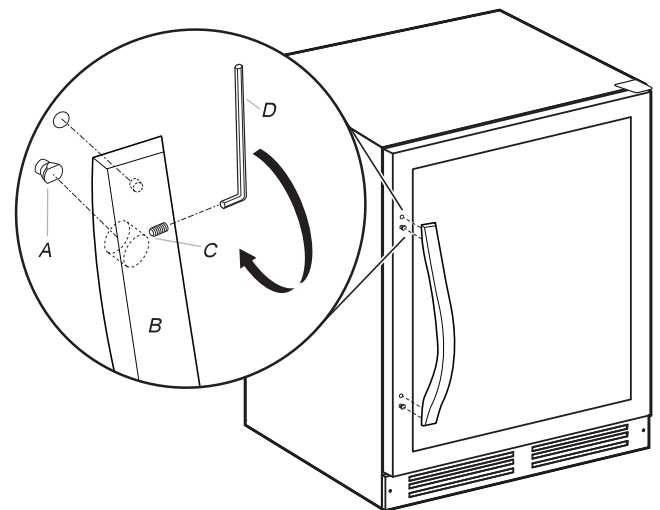
### Excessive Weight Hazard

**Use two or more people to move and install wine cellar.  
 Failure to do so can result in back or other injury.**

**Helpful Tip:** Put cardboard under wine cellar until it is installed in cabinet opening. The cardboard will help avoid damage to floor covering during installation.

### NOTES:

- To ease installation, using two or more people, place wine cellar on its back.
  - To avoid scratching the front panel, place a soft cloth or towel against the panel while installing the door handle.
  - Setscrews are preinstalled in the handle.
1. Remove the door handle and hardware bag containing the hex key from the bubble pouch.
  2. Place the handle on the mounting studs. The setscrews should face down when installed correctly. If the handle is installed upside down, proper installation will not be possible.
  3. Push the door handle tightly against the door.
  4. Insert the short end of the hex key into the setscrew and tighten  $\frac{1}{4}$  turn past snug. Setscrew will not be recessed into the handle.
  5. Repeat Step 4 for other setscrew.
  6. Keep the hex key with the Installation Instructions.
- NOTE:** The handle installation procedure should take less than 5 minutes.



A. Mounting stud  
 B. Door handle

C. Setscrew  
 D. Hex key