

RT21M6213SR

SAMSUNG

Top Mount Refrigerator with Twin Cooling Plus™ and FlexZone™
21.1 cu. ft. Capacity



Signature Features

FlexZone™

Versatile fridge compartment that converts freezer to fridge.

Twin Cooling Plus®

Maintains both high levels of refrigerator humidity to keep perishable fruits and vegetables fresher longer, and dry freezer conditions means less freezer burn for better-tasting frozen foods.

Slide & Reach Pantry

Easily access all your favourite foods.

Available Colour



Fingerprint Resistant
Stainless Steel



FlexZone™



Slide & Reach Pantry

Features

- Large Capacity – 21.1 cu. ft.
- ENERGY STAR® Compliant
- Twin Cooling Plus® (FlexZone™)
- True No-Frost Technology
- LED Top Lighting
- Fresh Room
- Vegetable Bins
- Dairy Bin
- Reversible Door
- Recessed Door Handle

Rating



- ENERGY STAR® - Rated
- Energy Consumption (annual)
= 478 kWh/yr with Ice Maker
= 394 kWh/yr without Ice Maker

RT21M6213SR

SAMSUNG

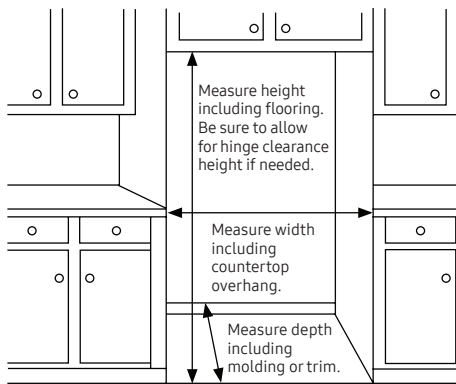
Top Mount Refrigerator with Twin Cooling Plus™ and FlexZone™ 21.1 cu. ft. Capacity

Installation Specifications

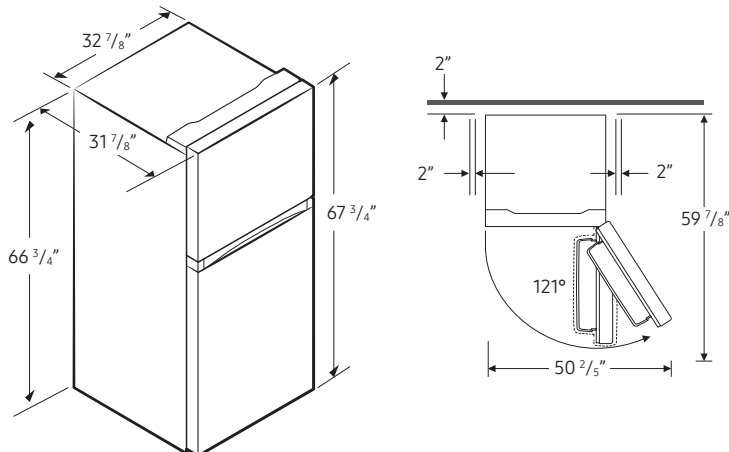
1. Measure the height, width and depth of the opening, making sure to include baseboards, molding tile, countertop overhang, etc. Check to be sure there is enough room to open the door (consider walls, islands or other obstacles when measuring).
2. Refer to illustration below to determine dimensions.
3. Allow 2.5" minimum clearance on hinge side of refrigerator when installing next to a wall where handle may make contact.
4. Allow 1" minimum clearance at rear for proper air circulation and water/electrical connections. Allow a 3/8" minimum clearance at sides and top for ease of installation.
5. Ensure each door and entryway in the home is wide enough for the refrigerator to be moved through easily.

For optimal usage and to be able to open refrigerator doors completely, do not install next to a wall.

Please note: The following dimension and cutout information is for planning purposes only. For complete installation details, consult manual packed with product, or download manual online at samsung.com.



Dimensions



Total Capacity: 21.1 cu. ft.

Refrigerator: 15.4 cu. ft.

Fresh Room
Dairy Bin
2 Vegetable Bins
LED Top Lighting

Fridge in Freezer: 5.7 cu. ft.

1 Glass Shelf

Optional Ice Maker Available: RA-TIMO63PP/AA
Samsung Quick-Connect Auto Ice Maker produces
3.75 lbs. of ice per day.

Volt/Amps	115V / 60Hz / 3.5A
Power Cord Length	2 meters

Warranty

One (1) Year Parts and Labour on Refrigerator
Ten (10) Years Parts on Digital Inverter Compressor

Product Dimensions & Weight (WxHxD)

Dimensions (WxHxD with hinges, handles and doors):

32 7/8" x 67 3/4" x 31 7/8"

Dimensions (WxHxD without hinges and door):

31 7/8" x 66 3/4" x 28 1/2"

Weight: 198.42 lbs (90 kg)

Shipping Dimensions & Weight (WxHxD)

Dimensions: 34 3/8" x 71 5/8" x 33 1/2"

Weight: 216.05 lbs (98 kg)

Colour

Fingerprint Resistant
Stainless Steel

Model

RT21M6213SR

UPC

887276213859